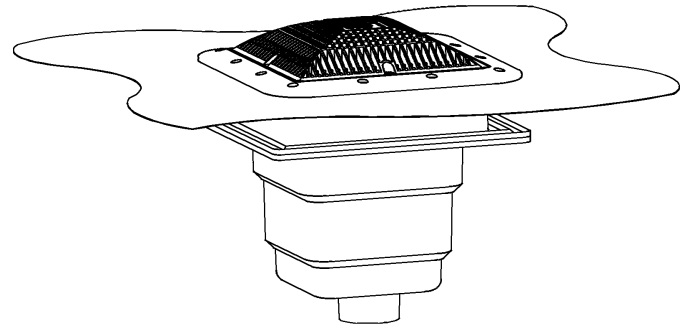


SuperFlow Drain™ – Vinyl Adapter

With the vinyl liner adapter fitted to our 9" x 9" SuperSump™ drain, you can achieve a maximum flow of 261 GPM. This high flow rate will supply all of your water needs using a single set of main drains. The only certified* sump and grate that will adapt to a vinyl liner pool that has a 4" plumbing connection and built-in test plate.



SUMP FEATURES

- Open grate area of 54% - allowing for a maximum flow rate.
- Internal plumbing fittings instead of external. Allows stacking and avoids breaking off or cracking during shipment, pressure testing or handling.
- The 4" pipe connection on the SuperSump drain allows ample water for gravity flow vs. direct suction.
- Unique built-in water stop with two vertical extensions. Prevents water passing over the flange.
- A solid one-piece, injection-molded unit. Less expensive than fabricated PVC sheets, stainless steel or fiberglass.
- Tapered body for strength – allows for water expansion during freezing, and easily stacks to reduce storage space and shipping costs.
- Premium hardware - stainless steel screws and brass inserts.
- All parts are available in white.
- 10 year warranty

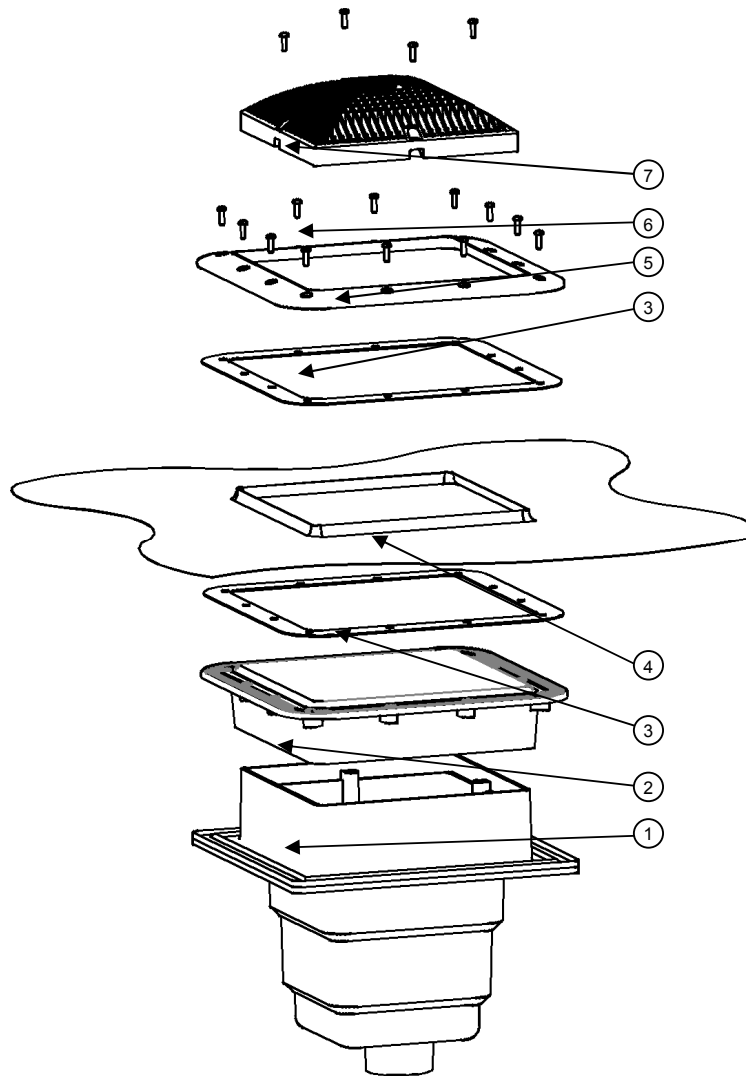
9" X 9" SUMP SPECIFICATIONS		
Size	9" X 9"	
Model	MLD-SG-0909	
Material	PVC	
Side Port	4"	
Color	White	
Flow Rate (GPM)	Floor	261
	Wall	248
Open Area (in ²)	42.12	

VINYL ADAPTER SPECIFICATION	
Size	9" X 9"
Model	MLD-SG-09VL
Material	PVC
Color	White



APSP-16





PARTS LIST		
Item	Qty	Description
1	1	Neptune-Benson SuperSump™ Drain (Sold Separately)
2	1	Liner Frame Lower
3	2	Liner Frame Gasket
4	1	Vinyl Liner (Supplied By Installer)
5	1	Liner Frame Upper
6	12	1/4-20 X 5/8" Stainless Steel Panhead Screw
7	1	Neptune-Benson SuperFlow Grate (Sold Separately)

ORDERING INFORMATION	
Part Number	Description
MLD-SG-09VL-WT	9" X 9" Vinyl Adapter

All drawing dimensions supplied by Neptune-Benson, are for reference only. All cad files were created using AutoCAD file format (*.dwg) and are presented as a service to our customers. Errors sometimes occur during this process and with software incompatibility upon opening a file. Neptune-Benson, and/or any authorized distributor of our products will not be held responsible for problems arising from files which have been converted and does not warranty the documents against deficiencies or typographical errors of any kind. We recommend that all measurements are verified with actual physical product before any custom fabrication in the field occurs.