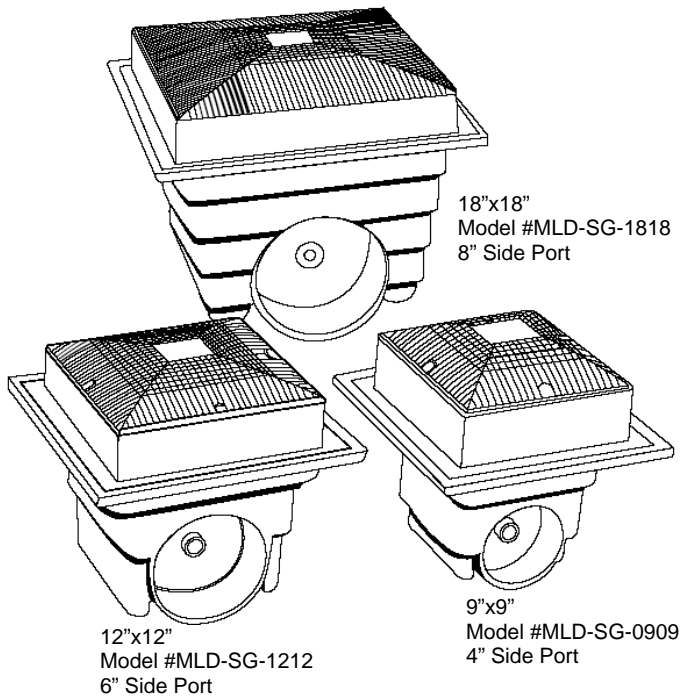


ORDERING INFORMATION	
Part Number	Description
MLD-FG-0909-WT	MOLDED 9" X 9" SUMP & COVER

All drawing dimensions supplied by Neptune-Benson, LLC are for reference only. All cad files were created using AutoCAD file format (*.dwg) and are presented as a service to our customers. Errors sometimes occur during this process and with software incompatibility upon opening a file. Neptune-Benson, LLC and/or any authorized distributor of our products will not be held responsible for problems arising from files which have been converted and does not warranty the documents against deficiencies or typographical errors of any kind. We recommend that all measurements are verified with actual physical product before any custom fabrication in the field occurs.

R 4/5/13

Only Lawson Aquatics™ has SuperSump™ - VGB-2008-certified main drain and grates with a super flow rate and a unique top profile design that provides extreme comfort under foot. Easy to install and no special tools or complicated retrofitting required. Ask your distributor for the number one brand in main drains and grates – Lawson Aquatics™.



SuperSump™

Removes the need for field-built sump certification

FEATURES

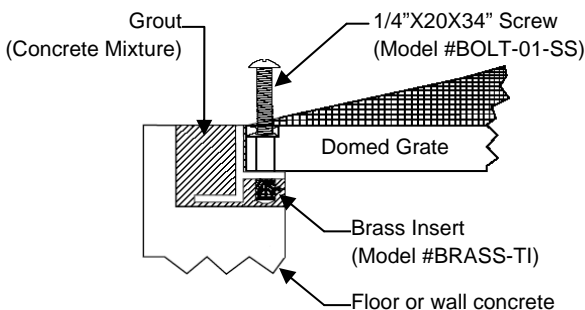
- Open grate area of 54% - allowing for a maximum flow rate (see chart)
- Internal plumbing fittings instead of external. Allows stacking and avoids breaking off or cracking during shipment, pressure testing or handling.
- 1/3 the cost of fiberglass and 1/4 the cost of stainless steel.
- Unique built-in water stop with two vertical extensions. Prevents water passing over the flange.
- A solid one-piece, injection-molded unit. Less expensive than fabricated PVC sheets, stainless steel or fiberglass.
- Tapered body for strength – allows for water expansion during freezing, and easily stacks to reduce storage space and shipping costs.
- Premium hardware stainless steel screws and brass inserts
- 10 year warranty
- Sumps and grates are available in white.

SPECIFICATIONS

Size		9" X 9"	12" X 12"	18" X 18"
Flow Rate (GPM)	Floor	261	365	816
	Wall	248	340	712
Open Area (in ²)		42.12	81.30	183.06

FASTENING

Use the fasteners provided to insure a minimum of 3 complete turns into the receiving material or inserts. Ensure screw heads are flush.



CAUTION: The section fitting fasteners must be observed for damage or tampering before each use of the facility and/or at least annually.

This product has been certified to comply with section #1404 of the Virginia Graemer Baker (VGBA) Pool & Spa Safety Act.

Further information can be obtained by visiting www.lawsonaquatics.com and/or <http://www.lawsonaquatics.com/certification.htm>

Tested to ANSI/ASME 112.19.82007 (addendum 8a2008) per Section 1404 of the Virginia Graeme Baker Act (VGB) Pool & Spa Safety Act – December 2008.

Certified by NSF International
789 N. Dixboro Road
Ann Arbor, MI 48113-0140
(USA): 800-NSF-MARK
(+1) 734-769-8010

ANSI/APSP-16

