

MEETS OR EXCEEDS:

ASTM G-154-- U.V. Stabilization
 ASTM C-1028-- Coefficient of Friction
 ANSI/APSP-16
 Certified As "Unblockable" Under ASME A112.19.8-2007 VGB2008

*** Remaining open area outside of blocking element will supply 100% of maximum rated flow as defined by ASME A112.19.8-2007 VGB2008 calculations for allowable flow velocity.

FLOW RATES			
Grate Size	GPM Flow Rate		GPM Flow Rate Floor
18 X 36 – 1 TO 1 PIPE SIZE TO DEPTH RATIO	FLOOR 2080*	WALL 1496*	18 X 126
18 X 36 – FIGURE 2 COMPLIANT	FLOOR ONLY 2401*		18 X 144
18 X 54 – FIGURE 2 COMPLIANT	FLOOR ONLY 4269*		18 X 162
18 X 72 – FIGURE 2 COMPLIANT	FLOOR ONLY 4518*		18 X 180
18 X 90	11413**		
* VALUES HAVE BEEN CALCULATED USING THE TESTING PROCEDURES SET FORTH IN THE ASME a112.19.8-2007 STANDARD. THEY WERE PERFORMED BY NSF, A NATIONALLY RECOGNIZED TESTING FACILITY.		** VALUES CALCULATED USING ASME a112.19.8-2007 FORMULA FOR "Q" GRATE MUST BE SIGNED OFF BY REGISTERED DESIGN PROFESSIONAL.	

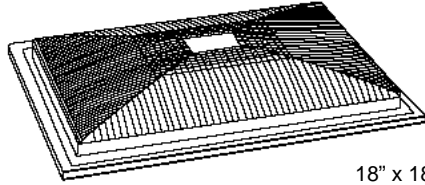
GRATE SIZES			
Part Number	Description	Part Number	Description
MLD-FG-1836-WT	MOLDED F&G 18" X 36"	MLD-FG-18126-WT	MOLDED F&G 18" X 126"
MLD-FG-1854-WT	MOLDED F&G 18" X 54"	MLD-FG-18144-WT	MOLDED F&G 18" X 144"
MLD-FG-1872-WT	MOLDED F&G 18" X 72"	MLD-FG-18162-WT	MOLDED F&G 18" X 162"
MLD-FG-1890-WT	MOLDED F&G 18" X 90"	MLD-FG-18180-WT	MOLDED F&G 18" X 180"

All drawing dimensions supplied by Neptune-Benson, LLC are for reference only. All cad files were created using AutoCAD file format (*.dwg) and are presented as a service to our customers. Errors sometimes occur during this process and with software incompatibility upon opening a file. Neptune-Benson, LLC and/or any authorized distributor of our products will not be held responsible for problems arising from files which have been converted and does not warranty the documents against deficiencies or typographical errors of any kind. We recommend that all measurements are verified with actual physical product before any custom fabrication in the field occurs.

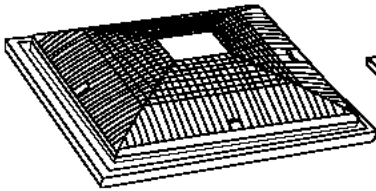
The domed SuperFlow™ main drain grating is unique since it has the capability to maintain a flow rate of 816 GPM, (18" x 18"), 365 GPM (12" x 12"), and 261 GPM (9" x 9").

Blockable Main Drain Covers

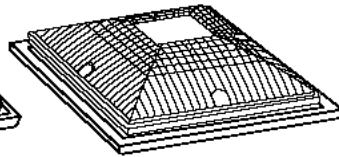
(ASME-2007-Defined as any cover/grate smaller than 18" x 23", usually manufactured in sizes of 9" x 9", 12" x 12", and 18" x 18")



18" x 18"
Model #MLD-FGD-1818



12" x 12"
Model #MLD-FGD-1212



9" x 9"
Model #MLD-FGD-0909

SuperFlow™

ANSI/APSP – 16 compliant & NSF LISTED main drain cover that is easy to replace and doesn't require any complicated retrofitting!

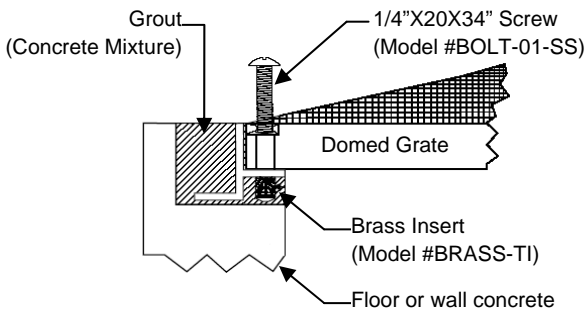
FEATURES

- Open grate area of 54% - allowing for a maximum flow rate (see chart below)
- ANSI/APSP – 16 & NSF LISTED (9" x 9", 12" x 12", 18" x 18")
- UV and strength tested under ASME A112.19.8.2007
- A raised, cross-ridged profile for non-slip – and water penetration if blocked.
- Available in White
- 10 year warranty

SPECIFICATIONS				
Sizes		9" x 9"	12" x 12"	18" x 18"
Flow Rate (GPM)	Floor	261	365	816
	Wall	248	340	712
Open Area (in ²)		42.12	81.30	183.06

FASTENING

Use the fasteners provided to insure a minimum of 3 complete turns into the receiving material or inserts. Ensure screw heads are flush.



CAUTION: The section fitting fasteners must be observed for damage or tampering before each use of the facility and/or at least annually.

This product has been certified to comply with section #1404 of the Virginia Graeme Baker (VGBA) Pool & Spa Safety Act.

Further information can be obtained by visiting www.lawsonaquatics.com and/or <http://www.lawsonaquatics.com/certification.htm>

Tested to ANSI/ASME 112.19.8.2007 (addendum 8a2008) per Section 1404 of the Virginia Graeme Baker Act (VGB) Pool & Spa Safety Act – December 2008.

Certified by NSF International
789 N. Dixboro Road
Ann Arbor, MI 48113-0140
(USA): 800-NSF-MARK
(+1) 734-769-8010

ANSI/APSP-16

