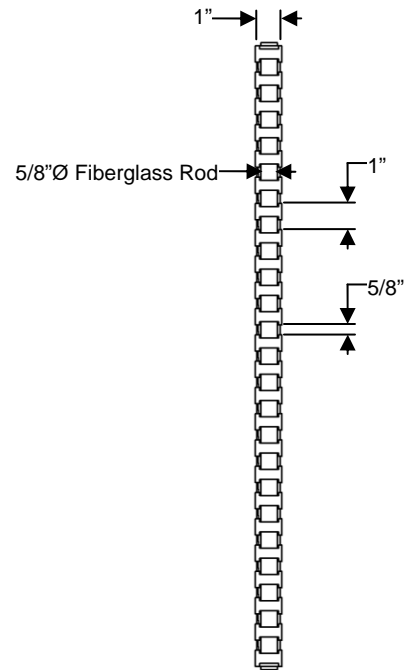
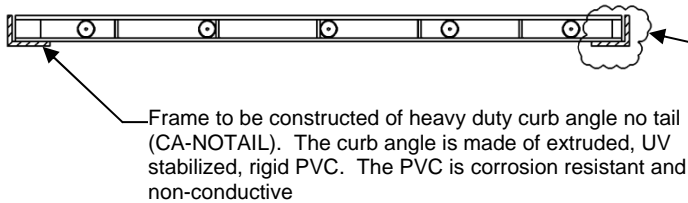


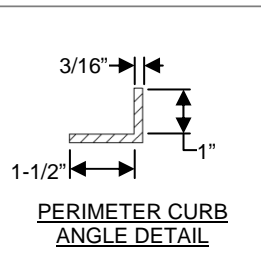
PLAN VIEW



SECTION B-B



SECTION A-A



PERIMETER CURB ANGLE DETAIL

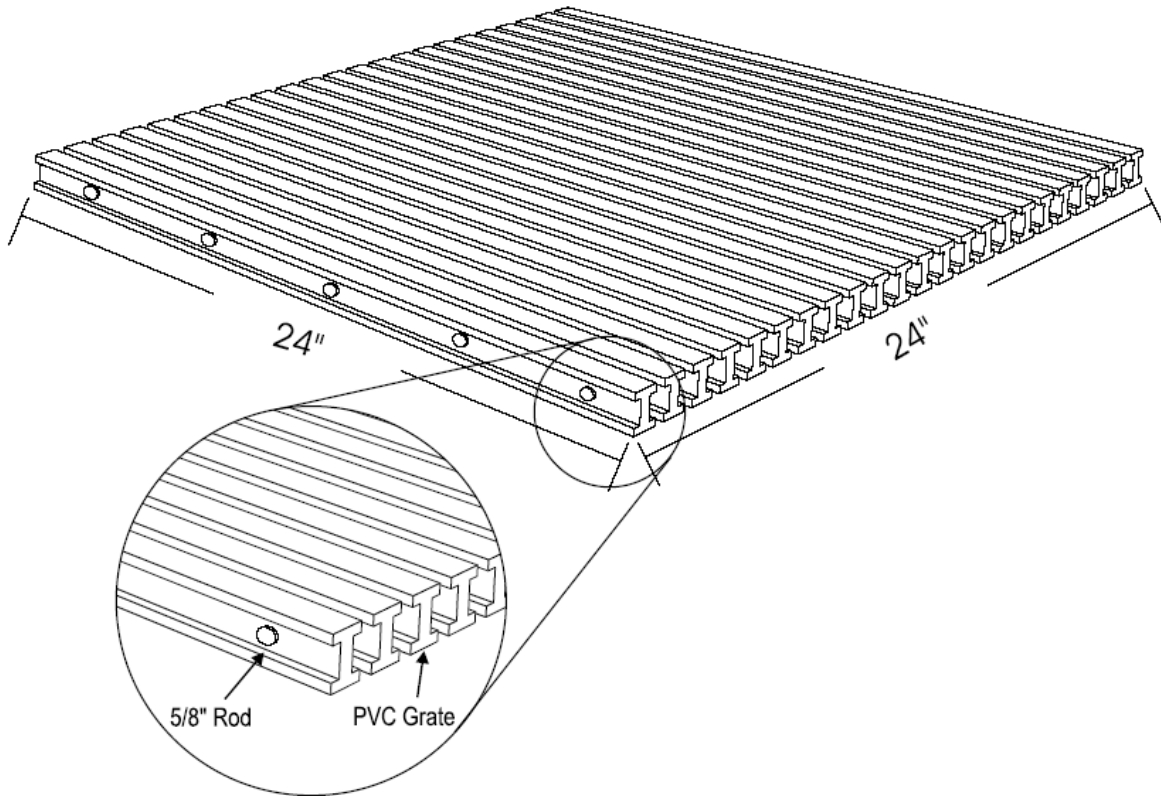
NOTE: Minimum internal frame size to be 24-1/4" x 36-1/4"

MAXIMUM UNSUPPORTED SPAN = 21"*

All drawing dimensions supplied by Neptune-Benson, LLC are for reference only. All cad files were created using AutoCAD file format (*.dwg) and are presented as a service to our customers. Errors sometimes occur during this process and with software incompatibility upon opening a file. Neptune-Benson, LLC and/or any authorized distributor of our products will not be held responsible for problems arising from files which have been converted and does not warranty the documents against deficiencies or typographical errors of any kind. We recommend that all measurements are verified with actual physical product before any custom fabrication in the field occurs.

R 4/8/13

Lawson Aquatics is your only source for large custom-sized main drains. *Available in one-inch increments in one direction and no more than 21" unsupported span in the other direction.



SPECIFICATIONS

Sizes		24" x 24"	24" x 36"	24" x 48"
Flow Rate (GPM)	Floor	810	2954	5132
	Wall	810	2954	5132
Open Area (in ²)		216	324	432

FEATURES

- Replaces ALL existing large area grates
- Measured in one inch increments – lengthen, widen or narrow from any direction.
- Permanent marking plate attached with flow rates established using ASME's formula for "Q"
- Made from high-grade PVC with fiberglass support rods
- Available in white
- 10 year warranty

