



PERMUTIT WEDGEWIRE UNDERDRAIN SYSTEM

The Permutit Wedgewire Underdrain System consists of a fabricated 316LSS hub and wedgewire covered pipe radials. It has been used extensively in new and retrofitted pressure filters, softeners, cations, anions and mixed bed vessels. It is designed to be used in 54" through 138" diameter pressure vessels. It's advantages are:

- Eliminates the need for a graded supporting subfill
- Without a subfill, more resin can be used in ion exchange vessels, increasing unit run lengths between regenerations
- Allows full access to interior surfaces of the bottom head for maintenance
- Rugged design has a history of no failures after hundreds of applications
- Wedgewire slot size is standard at 0.010" but can be made to suit particular applications
- Bottom hub to vessel connection is custom made to suit new or existing vessel designs
- Entire system components can be made to fit through manways on existing or new vessels
- System coverage provides uniform distribution of backwash water and collection of service flow
- Universal design can be retrofitted in competitor's vessels

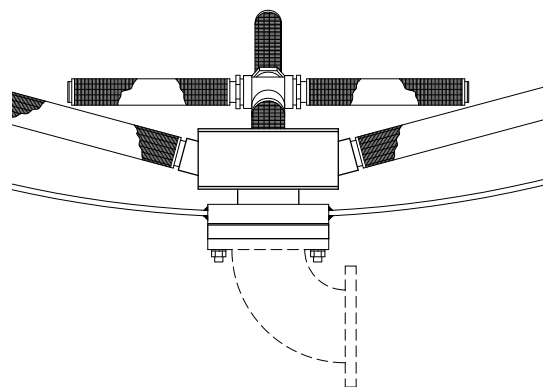
Ordering Information

For Permutit products and information, contact **908-704-9027**.

www.evoqua.com



Plan and Elevation Views of Permutit Wedgewire Underdrain





About Evoqua Water Technologies

Evoqua Water Technologies is the global leader in helping municipalities and industrial customers protect and improve the world’s most fundamental natural resource: water. Evoqua has a more than 100-year heritage of innovation and industry firsts, market-leading expertise, and unmatched customer service, where it continues to transform water and wastewater. Its cost-effective and reliable treatment systems and services ensure uninterrupted quantity and quality of water, enable regulatory and environmental compliance, increase efficiency through water reuse, and prepare customers for next-generation demands.

Evoqua’s unparalleled portfolio of proven brands, advanced technologies, mobile and emergency water supply solutions and service helps cities across the world provide and discharge clean water, and enable leisure and commercial industry to maximize productivity and profitability.

With the largest service network in North America, the broadest range of equipment technologies, and the greatest range of lifecycle and mobile equipment services, Evoqua is uniquely positioned to help you achieve your goals.



210 Sixth Avenue, Suite 3300, Pittsburgh, PA 15222

+1 (800) 466-7873 (toll-free)

+1 (978) 614-7233 (toll)

www.evoqua.com

Permutit is a trademark of Evoqua Water Technologies, its subsidiaries or affiliates, in some countries.

All information presented herein is believed reliable and in accordance with accepted engineering practices. Evoqua makes no warranties as to the completeness of this information. Users are responsible for evaluating individual product suitability for specific applications. Evoqua assumes no liability whatsoever for any special, indirect or consequential damages arising from the sale, resale or misuse of its products.

© 2017 Evoqua Water Technologies LLC Subject to change without notice AM-PERMWED-DS-0717