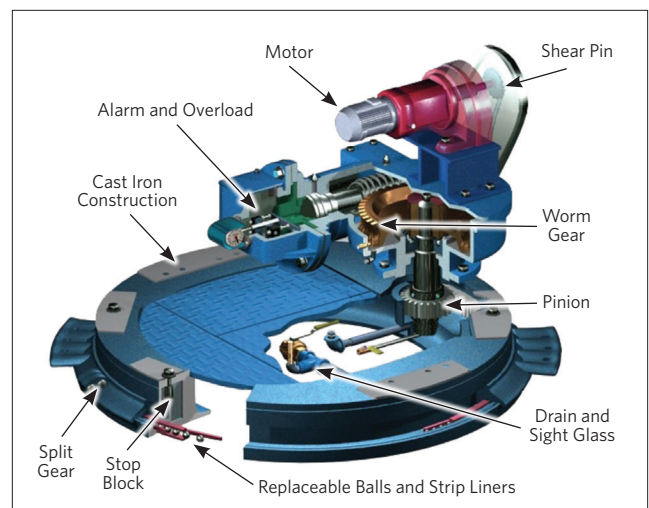


CIRCULAR CLARIFIER DRIVES

Envirex® Type H Circular Clarifier Drives are designed for long life and low maintenance with rugged cast iron construction, high torque capacity, and a split main gear for servicing. Type H drives are designed and built to AGMA Standards and are factory assembled and tested to ensure quality. A comprehensive range of models is available to suit your application.

Drive Benefits

- **Long-Lasting Performance** - cast iron construction, high vertical load design, and full involute main gear tooth all contribute to long life and lasting performance.
- **Low Maintenance** - the oil fill, drain, and level indicator piping is easily accessible and the same oil is used for the intermediate and final gear. The stop block gap indicates bearing wear, allowing predictive maintenance before a breakdown occurs.
- **Low Lifecycle Cost** - the drive can be overhauled by plant personnel with minimal downtime. The split two-piece main gear allows replacement of bearings and strip liners independent of the main gear and without removing the bridge. This translates to lower costs and a longer lifecycle of 50+ years.



Drive Features

- Rugged Cast Iron Construction
- Worm Thrust Alarm and Overload Protection
- Shear-Pin Secondary Overload
- Oil Bath Lubrication
- Split Main Gear
- Bearing Wear Indicator
- Replaceable Balls and Strip Liners
- Oil Level Sight Glass
- Designed to AGMA Standards

TYPICAL DRIVE MODEL/ TANK DIAMETER

Tank Diameter	Secondary Tow Bro	Secondary Scraper	Primary Scraper	Thickener Scraper
30	H30A-LT	H30A-LT	H30A-LT	H30A-LT
35	H30A-LT	H30A-LT	H30A-LT	H30A-LT
40	H30A-LT	H30A-LT	H30A-LT	H30A-LT
45	H30A-LT	H30A-LT	H30A-LT	H40A-LT
50	H30A-LT	H30A-LT	H30A-LT	H40A-LT
55	H30A-LT	H30A-LT	H30A-LT	H40A-LT
60	H30A-LT	H30A-LT	H30A-LT	H40A-LT
65	H30A-LT	H30A-LT	H30A-LT	H40A-HT
70	H30A-LT	H30A-LT	H40A-LT	H40A-HT
75	H40A-LT	H40A-LT	H40A-LT	H60A-HT
80	H40A-LT	H-40-ALT	H40A-LT	H60A-HT
85	H40A-LT	H40A-LT	H40A-LT	H60A-HT

Tank Diameter	Secondary Tow Bro	Secondary Scraper	Primary Scraper	Thickener Scraper
90	H40A-LT	H40A-LT	H40A-HT	H60A-HT
95	H40A-LT	H40A-LT	H40A-HT	H85A-LT
100	H40A-LT	H40A-LT	H40A-HT	H85A-LT
105	H40A-LT	H40A-LT	H40A-HT	H85A-LT
110	H40A-LT	H40A-LT	H60A-LT	H85A-LT
115	H40A-HT	H40A-HT	H60A-LT	H85A-LT
120	H40A-HT	H40A-HT	H60A-HT	H85A-LT
125	H40A-HT	H40A-HT	H60A-HT	H85A-LT
130	H60A-LT	H60A-LT	H60A-HT	H85A-HT
135	H60A-LT	H60A-LT	H60A-HT	H85A-HT
140	H60A-LT	H60A-LT	H60A-HT	H85A-HT

THE RIGHT DRIVE FOR THE RIGHT APPLICATION

Drive Model	AGMA Torque Rating (ft-lbs)	Shut-off (ft-lbs)	Drive Motor (HP)	Spur Gear Pitch Diameter (inches)	Ball Race Diameter (inches)	Ball Bearing Diameter (inches)
H30A-LT	12,100	14,520	0.50	26.0	30.0	1.00
H30A-HT	17,300	20,760	0.50	26.0	30.0	1.00
H40A-LT	21,900	26,280	0.50	38.0	42.0	1.00
H40A-HT	30,800	36,960	0.75	38.0	42.0	1.00
H60A-LT	33,300	39,960	0.75	55.2	59.6	1.25
H60A-HT	53,500	64,200	1.50	55.2	59.6	1.25
H85A-LT	100,000	120,000	2	76.8	83.5	1.50
H85A-HT	135,000	162,000	2	76.8	83.5	1.50

Complete installation and after-sales services to help you protect your investment.

Evoqua field service technicians are readily available to assist with maintenance and repair. Service parts are available with a short lead time to reduce clarifier down time.

Envirex[®]
an EVOQUA brand



2607 N. Grandview Blvd, Suite 130, Waukesha, Wisconsin 53188

+1 (866) 926-8420 (toll-free) +1 (978) 614-7233 (toll) www.evoqua.com

Envirex is a trademark of Evoqua, its subsidiaries or affiliates, in some countries.

All information presented herein is believed reliable and in accordance with accepted engineering practices. Evoqua makes no warranties as to the completeness of this information. Users are responsible for evaluating individual product suitability for specific applications. Evoqua assumes no liability whatsoever for any special, indirect or consequential damages arising from the sale, resale or misuse of its products.

© 2016 Evoqua Water Technologies LLC Subject to change without notice MU-H-DRIVE-DS-0216