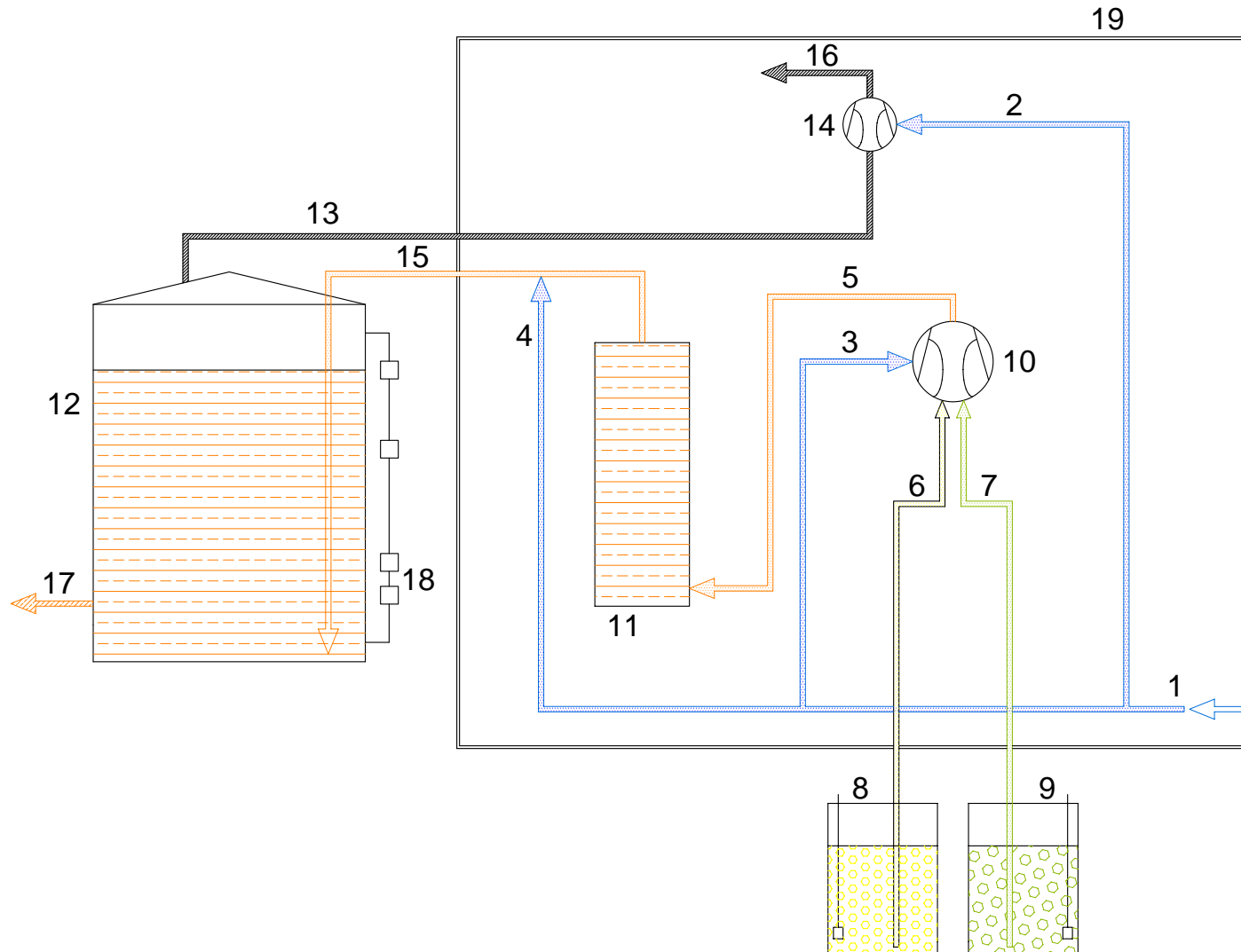


Chlordioxid-Bereitungsanlage  
 Chlorine dioxide generator  
 Générateur de dioxyde de chlore  
 DIOX-A 1000 / DIOX-A 2500 /  
 DIOX-A 5000 / DIOX-A 10000



1. Betriebswasser / Operating water / Eau de service
2. Treibwasser Gasphasen-Absaugung / Operating water gas phase aspiration / Eau motrice d'aspiration des phases gazeuses
3. Treibwasser Mischinjektor / Operating water mixing injector / Eau motrice hydroéjecteur
4. Verdünnungswasser / Dilution water / Eau de dilution
5. Chlordioxid-Lösung, konzentriert / Chlorine dioxide solution, concentrated / Solution de dioxyde de chlore, concentrée
6. Natriumchlorit-Lösung / Sodium chlorite solution / Solution de chlorite de sodium
7. Salzsäure / Hydrochloric acid solution / Solution d'acide chlorhydrique
8. Vorratsbehälter Natriumchlorit / Storage tank sodium chlorite / Bac de stockage chlorite de sodium
9. Vorratsbehälter Salzsäure / Storage tank hydrochloric acid / Bac de stockage d'acide chlorhydrique
10. Mischinjektor / Mixing injector / Hydroéjecteur
11. Reaktor / Reactor / Réacteur
12. Produktbehälter / Product tank / Récipient de produit
13. Chlordioxid Gasphase / Chlorine dioxide gas phase / Dioxyde de chlore, phase gazeuse
14. Absauginjektor Gasphase / Gas phase aspirating injector / Hydroéjecteur d'aspiration des phases gazeuses
15. Chlordioxid Lösung, verdünnt / Chlorine dioxide solution, diluted / Solution de dioxyde de chlore diluée
16. Gasphasenableitung / Gas phase discharge / Effluent des phases gazeuses
17. Zur Dosierung / To metering unit / Vers le dosage
18. Niveauschalter / Level switch / Sonde de niveau
19. DIOX-A 1000 / DIOX-A 2500 / DIOX-A 5000 / DIOX-A 10000

**Wallace & Tiernan**<sup>®</sup>  
 an EVOQUA brand

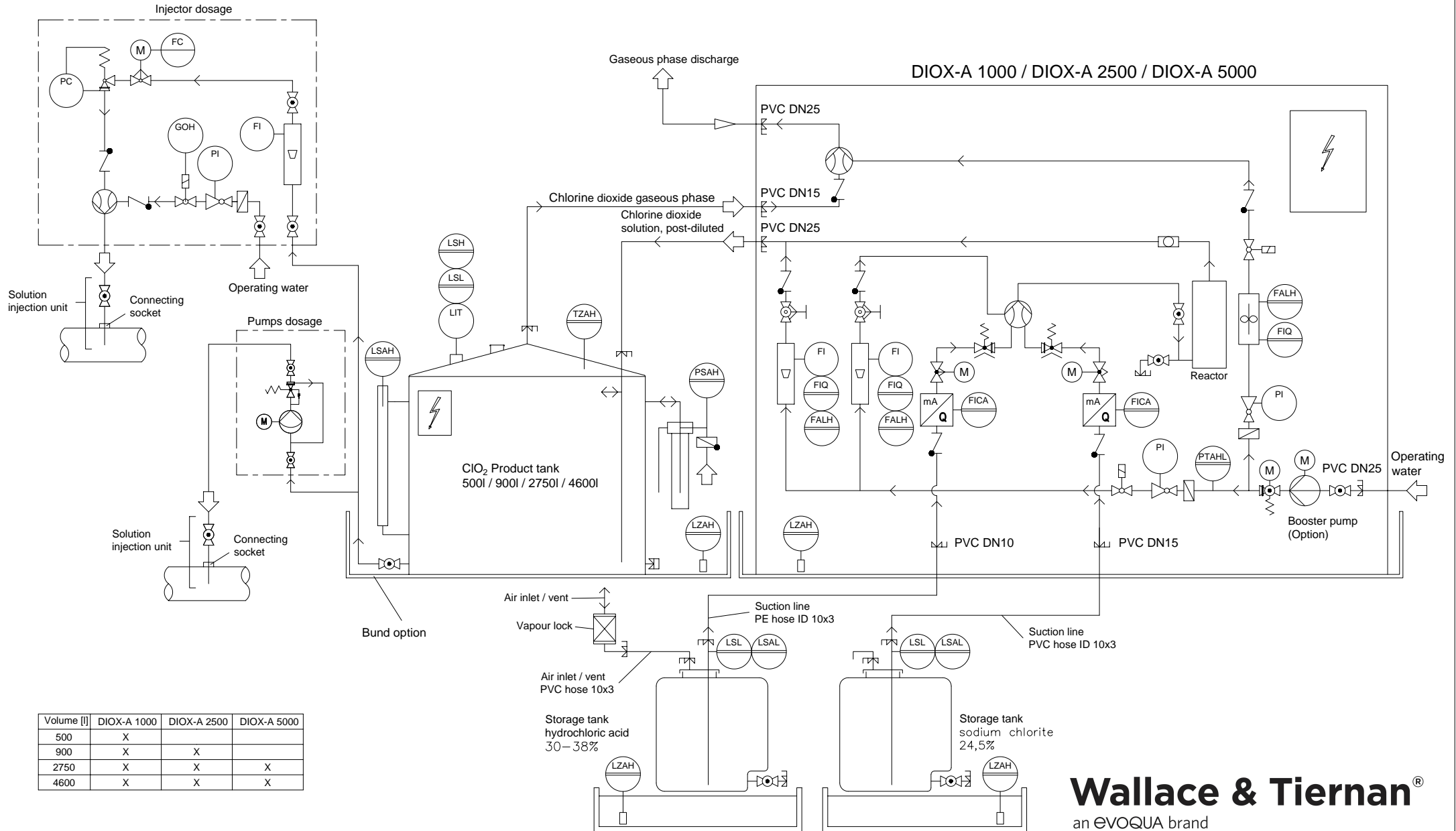
Verfahrensschema  
 Flow sheet / Schéma de principe  
 WT.085.215.010.IM.CN.0819

Wallace & Tiernan<sup>®</sup> Produkte weltweit

<b>Australien</b> +61 1300 661 809 info.au@evoqua.com	<b>China</b> +86 21 5118 3777 sales.cn@evoqua.com	<b>Deutschland</b> +49 8221 9040 wtger@evoqua.com	<b>Frankreich</b> +33 1 41 15 92 20 wtfra@evoqua.com	<b>Großbritannien</b> +44 300 124 0500 info.uk@evoqua.com	<b>Kanada</b> +1 905 944 2800 wtoc.can@evoqua.com	<b>Singapur</b> +65 6559 2600 sales.sg@evoqua.com	<b>USA</b> +1 800 524 6324 wt.us@evoqua.com
---	---	---	--	---	---	---	---

# Chlorine dioxide generator

## DIOX-A 1000 / DIOX-A 2500 / DIOX-A 5000



Volume [l]	DIOX-A 1000	DIOX-A 2500	DIOX-A 5000
500	X		
900	X	X	
2750	X	X	X
4600	X	X	X

**Wallace & Tiernan**<sup>®</sup>  
an EVOQUA brand

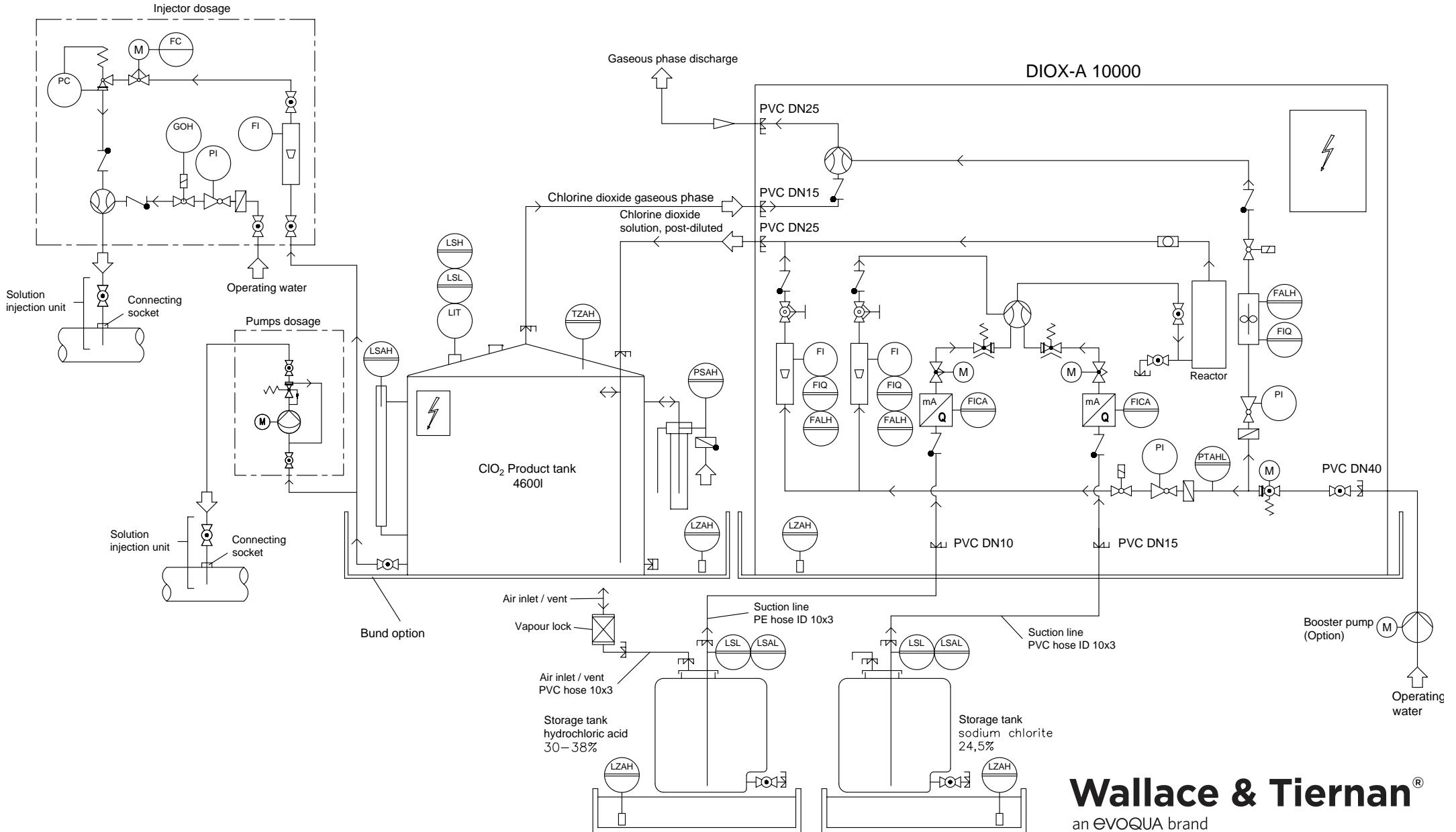
Typical installation  
WT.085.215.020.IE.CN.0819

**Wallace & Tiernan**<sup>®</sup> Products worldwide

<b>Australia</b> +61 1300 661 809 info.au@evoqua.com	<b>Canada</b> +1 905 944 2800 wtoc.can@evoqua.com	<b>China</b> +86 21 5118 3777 sales.cn@evoqua.com	<b>France</b> +33 1 41 15 92 20 wtfra@evoqua.com	<b>Germany</b> +49 8221 9040 wtger@evoqua.com	<b>Singapore</b> +65 6559 2600 sales.sg@evoqua.com	<b>UK</b> +44 300 124 0500 info.uk@evoqua.com	<b>USA</b> +1 800 524 6324 wt.us@evoqua.com
--	---	---	--	---	--	---	---

# Chlorine dioxide generator

## DIOX-A 10000



**Wallace & Tiernan**<sup>®</sup>  
an EVOQUA brand

Typical installation  
WT.085.215.030.IE.CN.0819

**Wallace & Tiernan**<sup>®</sup> Products worldwide

**Australia**  
+61 1300 661 809  
info.au@evoqua.com

**Canada**  
+1 905 944 2800  
wtocan@evoqua.com

**China**  
+86 21 5118 3777  
sales.cn@evoqua.com

**France**  
+33 1 41 15 92 20  
wtfra@evoqua.com

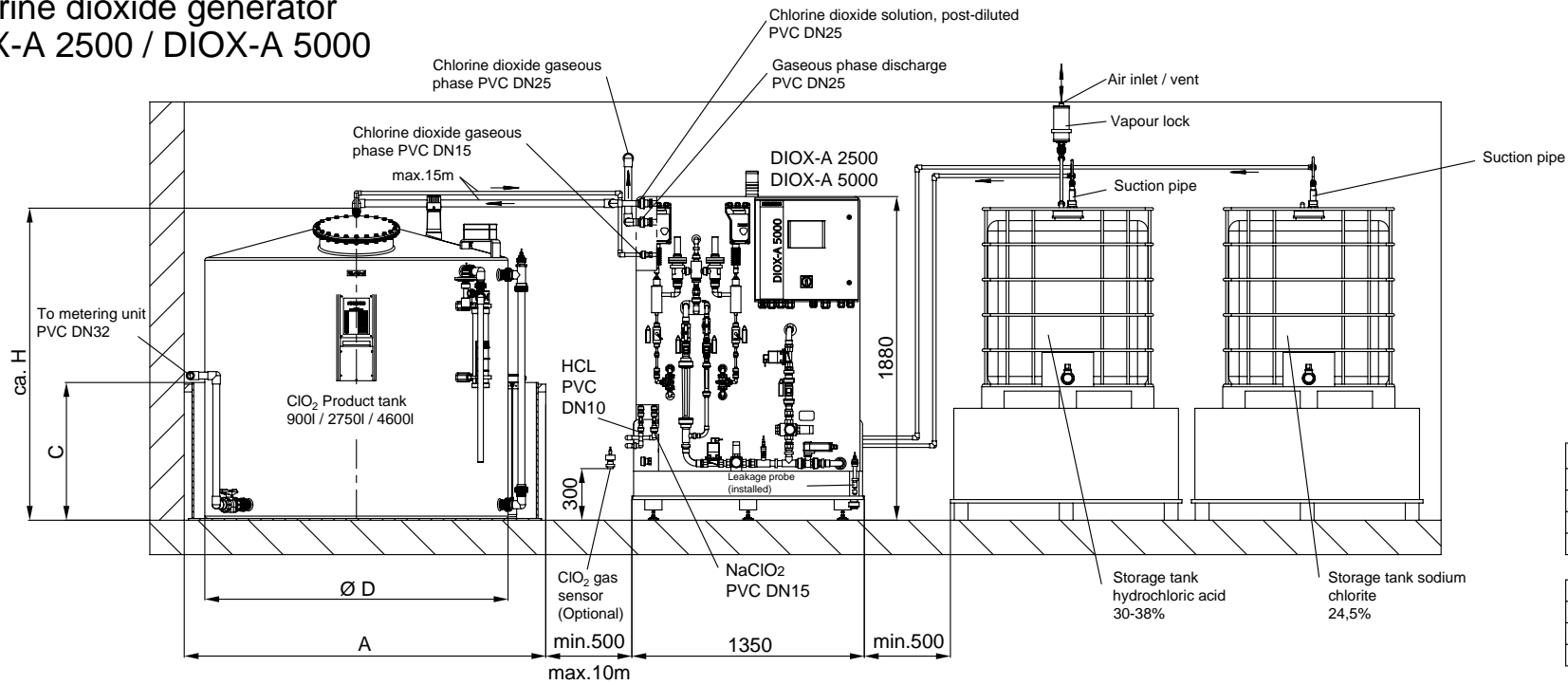
**Germany**  
+49 8221 9040  
wtger@evoqua.com

**Singapore**  
+65 6559 2600  
sales.sg@evoqua.com

**UK**  
+44 300 124 0500  
info.uk@evoqua.com

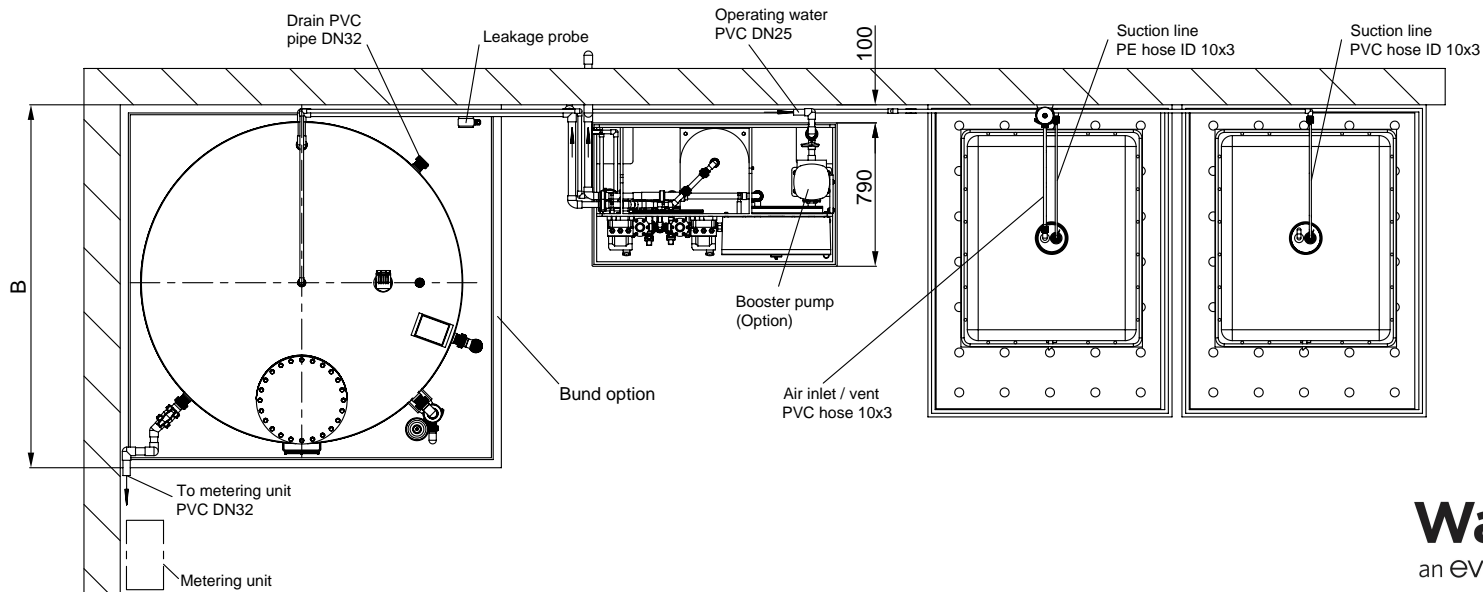
**USA**  
+1 800 524 6324  
wt.us@evoqua.com

# Chlorine dioxide generator DIOX-A 2500 / DIOX-A 5000



Dimensions [mm]					
Volume [l]	A	B	C	H	Ø D
900	1500	1400	600	1715	1035
2750	2100	2000	800	1820	1775
4600	2700	2600	800	1870	2280

Volume [l]	DIOX-A 2500	DIOX-A 5000
900	X	
2750	X	X
4600	X	X



**Wallace & Tiernan**<sup>®</sup>  
an EVOQUA brand

Installation  
WT.085.215.050.IE.CN.0819

Wallace & Tiernan<sup>®</sup> Products worldwide

**Australia**  
+61 1300 661 809  
info.au@evoqua.com

**Canada**  
+1 905 944 2800  
wtoc.can@evoqua.com

**China**  
+86 21 5118 3777  
sales.cn@evoqua.com

**France**  
+33 1 41 15 92 20  
wtfra@evoqua.com

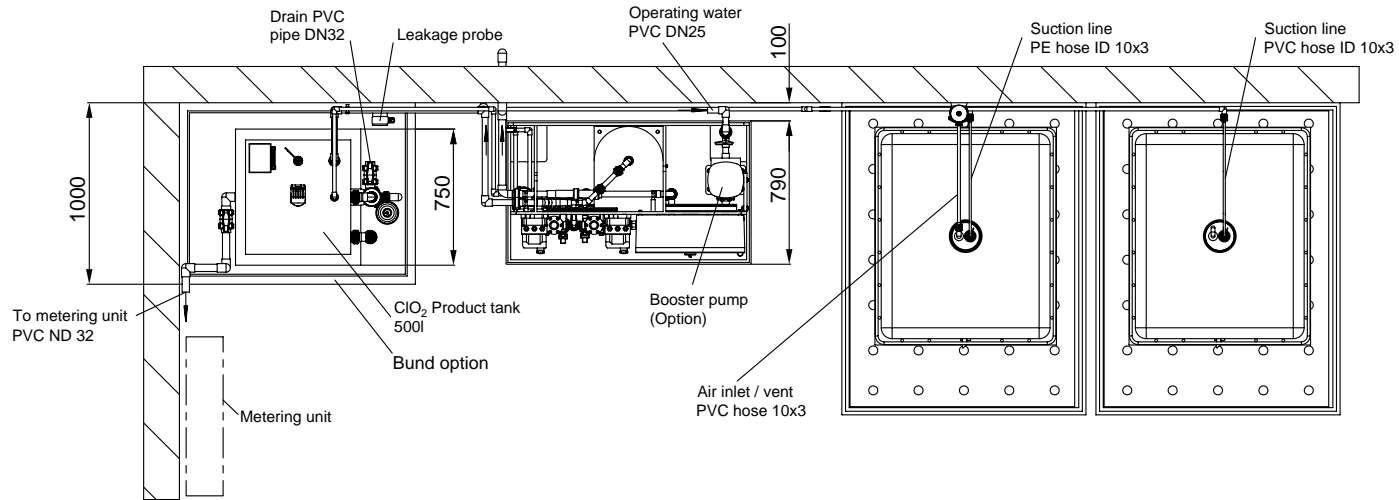
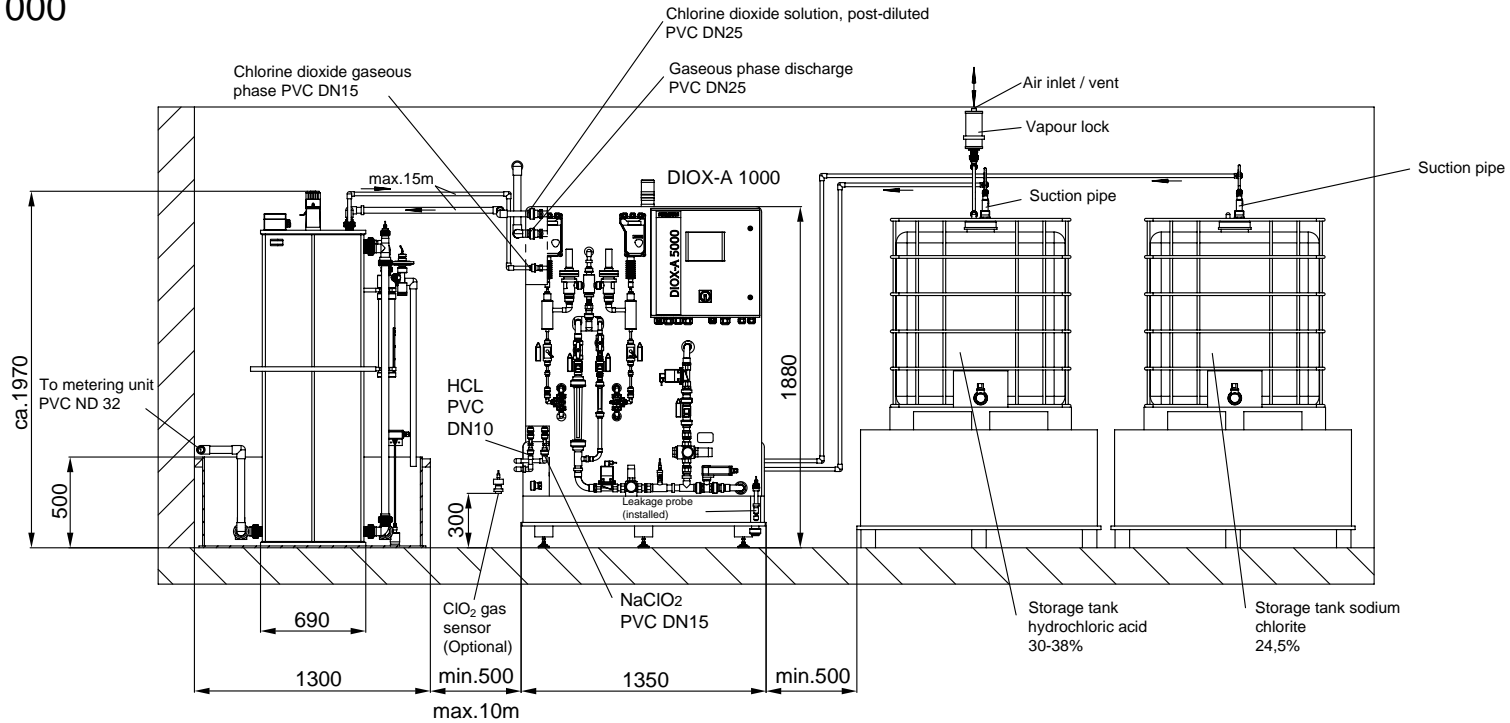
**Germany**  
+49 8221 9040  
wtger@evoqua.com

**Singapore**  
+65 6559 2600  
sales.sg@evoqua.com

**UK**  
+44 300 124 0500  
info.uk@evoqua.com

**USA**  
+1 800 524 6324  
wt.us@evoqua.com

# Chlorine dioxide generator DIOX-A 1000



**Wallace & Tiernan**<sup>®</sup>  
an EVOQUA brand

Installation  
WT.085.215.060.IE.CN.0819

Wallace & Tiernan<sup>®</sup> Products worldwide

**Australia**  
+61 1300 661 809  
info.au@evoqua.com

**Canada**  
+1 905 944 2800  
wtoc.can@evoqua.com

**China**  
+86 21 5118 3777  
sales.cn@evoqua.com

**France**  
+33 1 41 15 92 20  
wtfra@evoqua.com

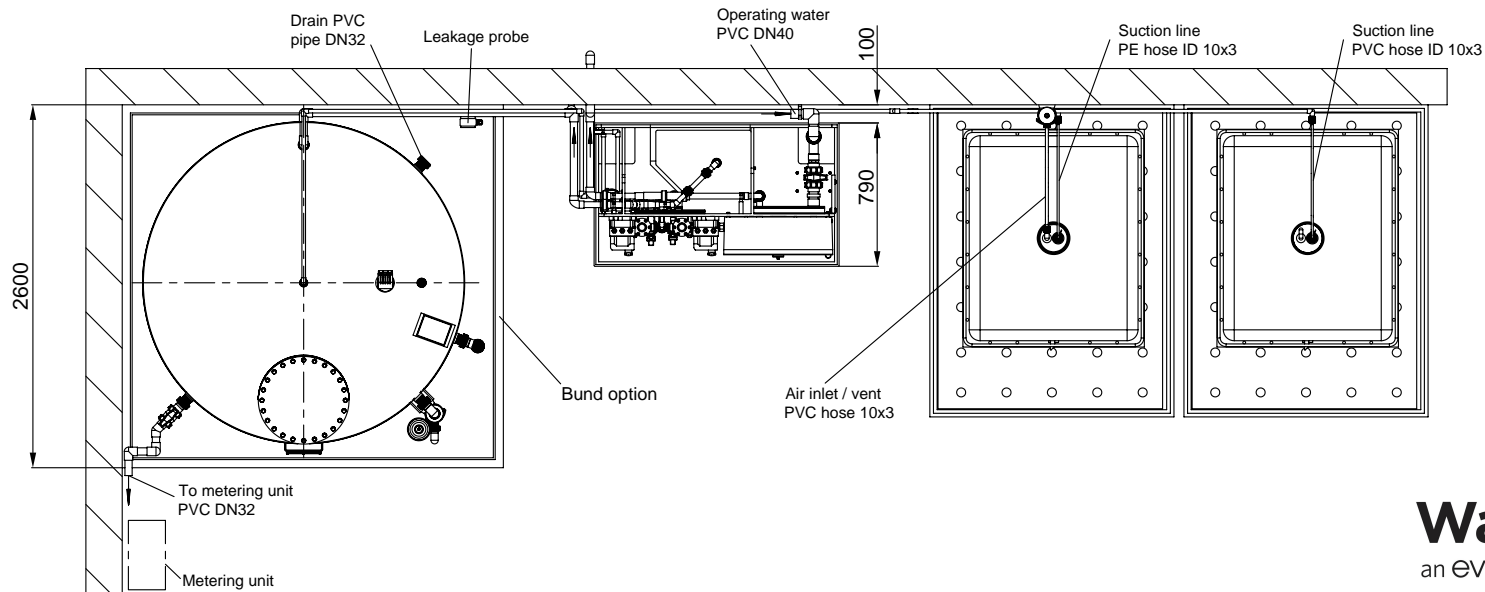
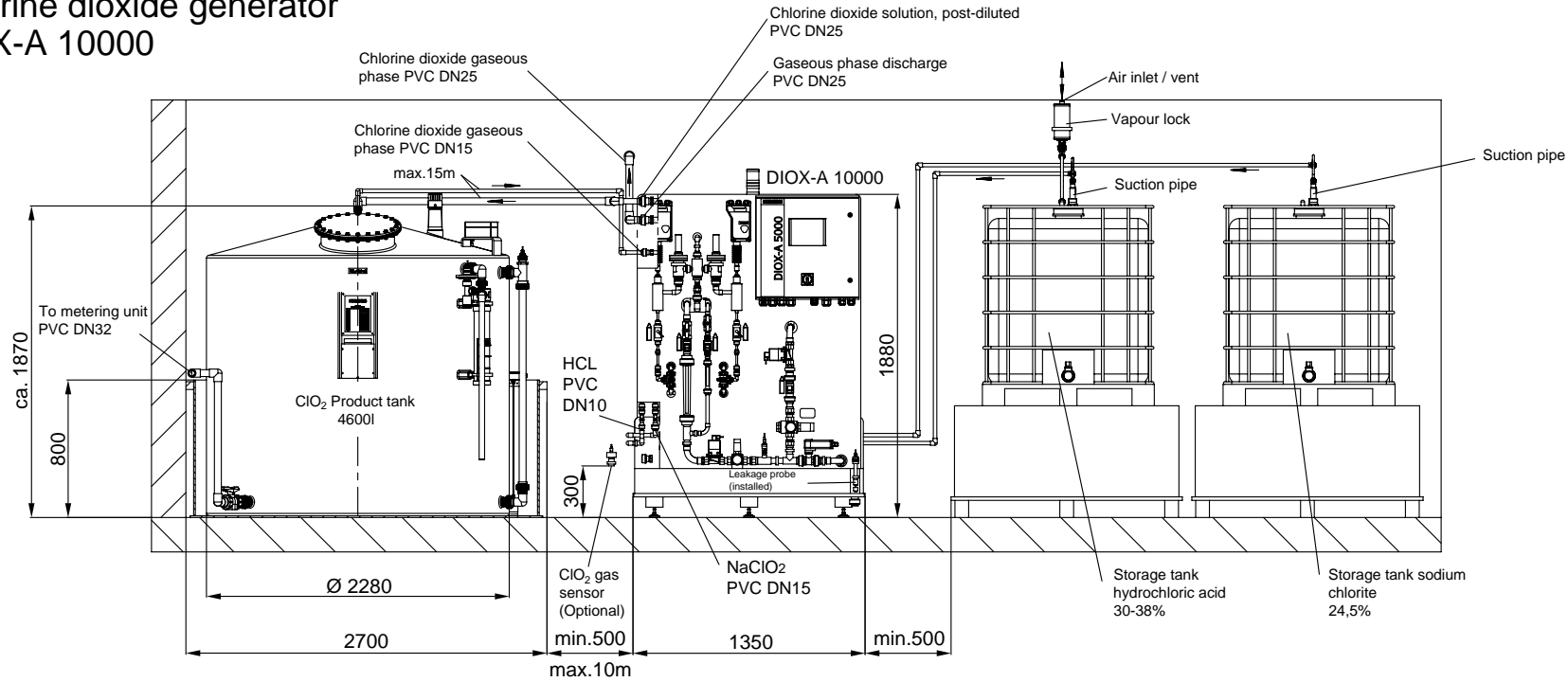
**Germany**  
+49 8221 9040  
wtger@evoqua.com

**Singapore**  
+65 6559 2600  
sales.sg@evoqua.com

**UK**  
+44 300 124 0500  
info.uk@evoqua.com

**USA**  
+1 800 524 6324  
wt.us@evoqua.com

# Chlorine dioxide generator DIOX-A 10000



**Wallace & Tiernan**<sup>®</sup>  
an EVOQUA brand

Installation  
WT.085.215.070.IE.CN.0819

Wallace & Tiernan<sup>®</sup> Products worldwide

**Australia**  
+61 1300 661 809  
info.au@evoqua.com

**Canada**  
+1 905 944 2800  
wtoc.can@evoqua.com

**China**  
+86 21 5118 3777  
sales.cn@evoqua.com

**France**  
+33 1 41 15 92 20  
wtfra@evoqua.com

**Germany**  
+49 8221 9040  
wtger@evoqua.com

**Singapore**  
+65 6559 2600  
sales.sg@evoqua.com

**UK**  
+44 300 124 0500  
info.uk@evoqua.com

**USA**  
+1 800 524 6324  
wt.us@evoqua.com