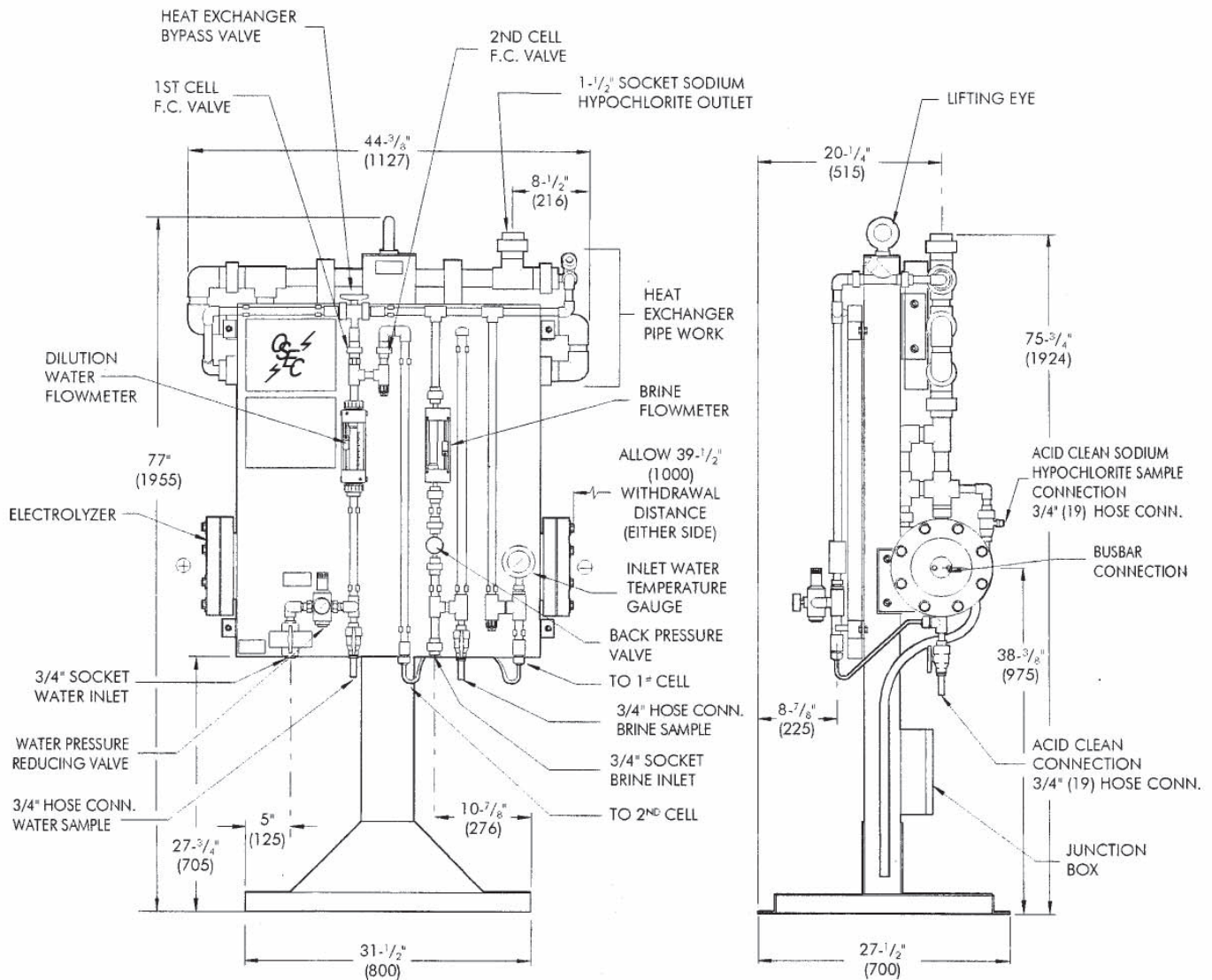


OSEC® System B1-150

Electrolyzer Skid Assembly - Capacity: 65 to 180 PPD



NOTE: () DIMENSIONS IN MM

Germany:
+49 8221 9040
wtger@evoqua.com

United Kingdom:
+44 1732 771777
info.uk.@evoqua.com

USA:
+1 856 507 9000
wtus@evoqua.com

Wallace & Tiernan®

an EVOQUA brand

Canada:
+1 905 944 2800
canadacustomerservice@evoqua.com

Singapore:
+65 6830 7100
infosg@evoqua.com

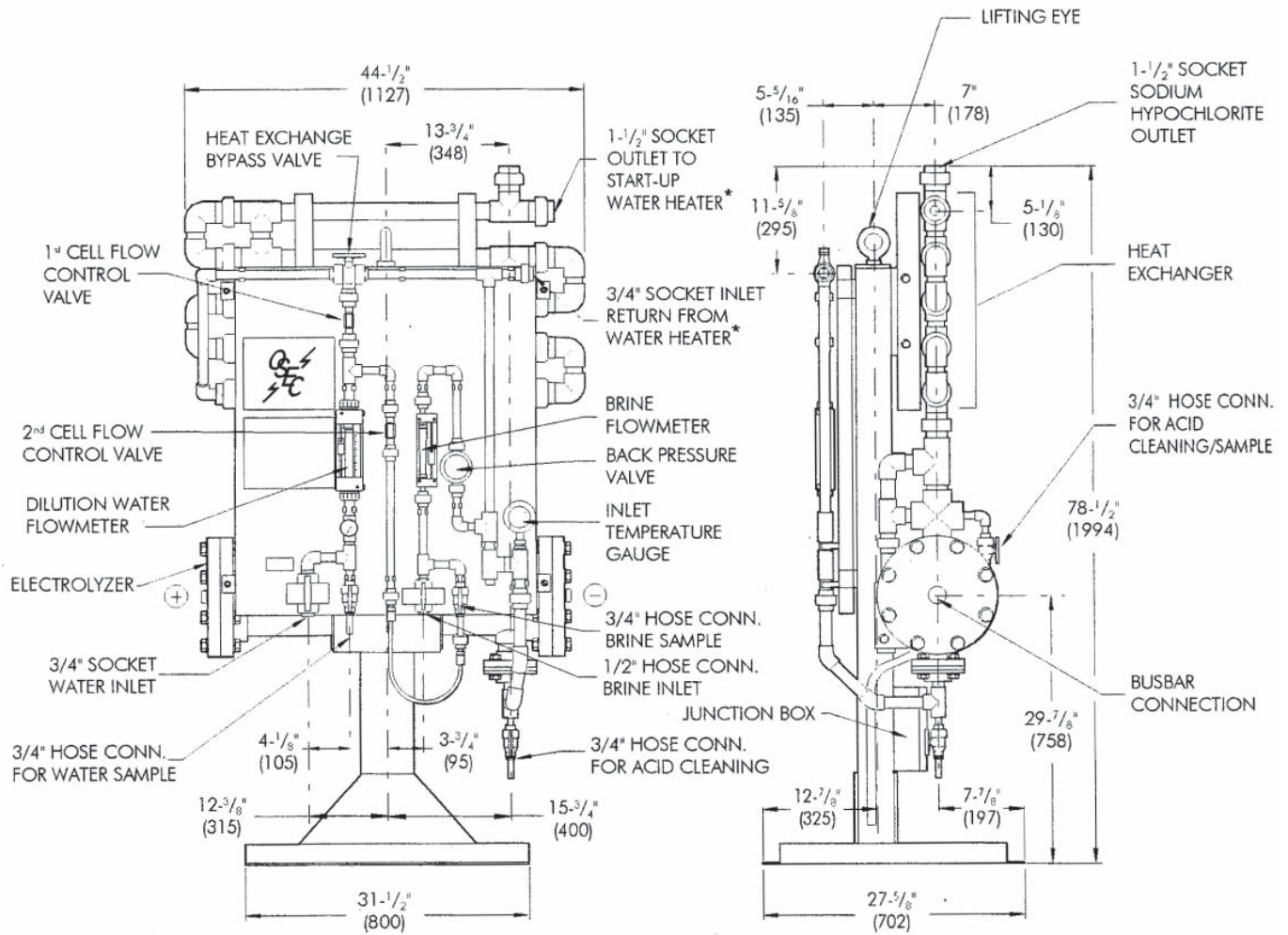
Australia:
+61 (0) 3 8720 6597
info.au@evoqua.com

Dimensions

WT.085.010.100.IE.CN.0714

OSEC® System B1-200

Electrolyzer Skid Assembly - Capacity: 200 to 250 PPD



NOTE: () DIMENSIONS IN MM
* OPTIONAL

Germany:
+49 8221 9040
wtger@evoqua.com

United Kingdom:
+44 1732 771777
info.uk.@evoqua.com

USA:
+1 856 507 9000
wtus@evoqua.com

Canada:
+1 905 944 2800
canadacustomerservice
@evoqua.com

Singapore:
+65 6830 7100
infosg@evoqua.com

Australia:
+61 (0) 3 8720 6597
info.au@evoqua.com

Wallace & Tiernan®

an EVOQUA brand

Dimensions

WT.085.030.100.IE.CN.0714