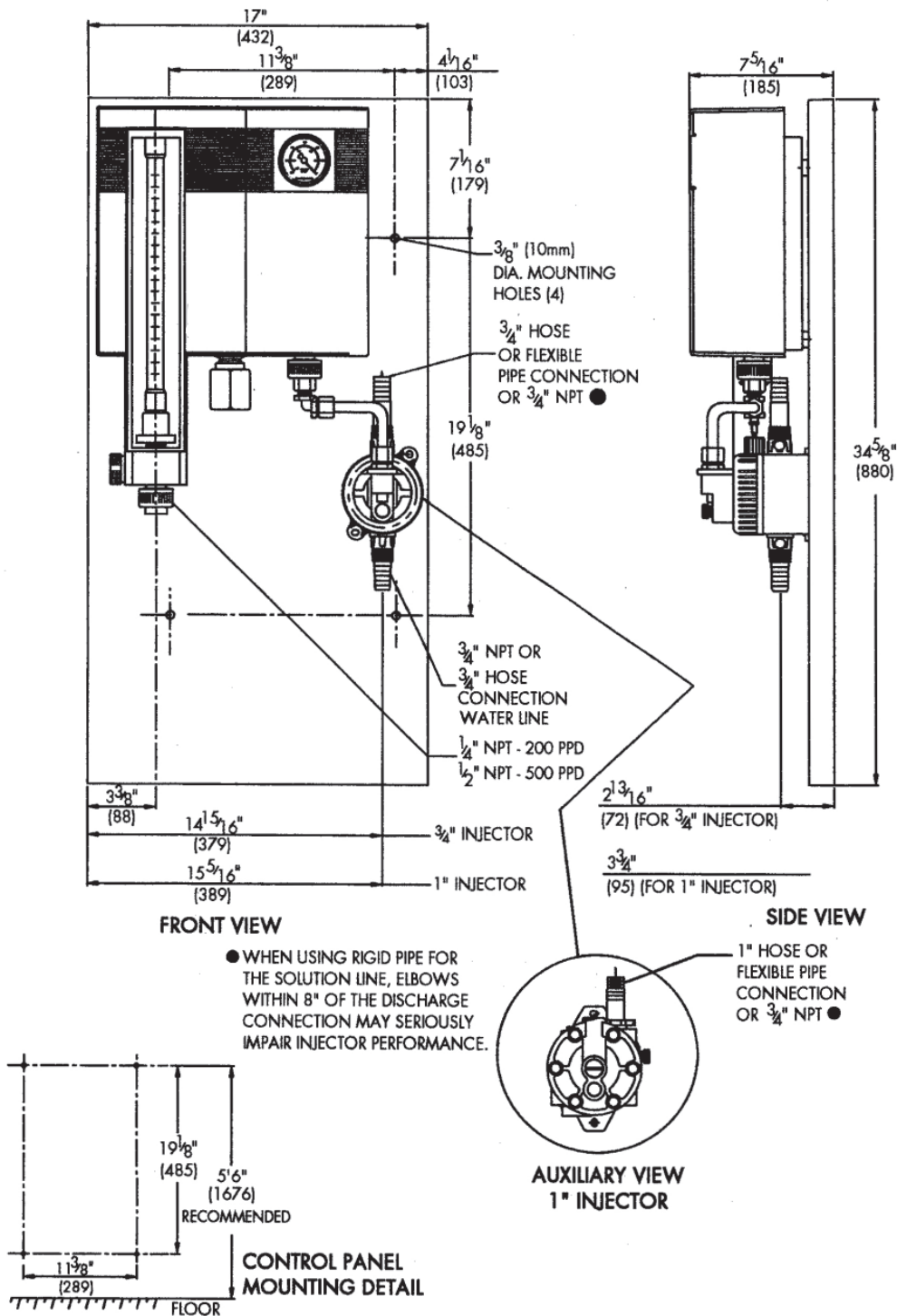


V10K Gas Chlorinator 10" Rotameter



Wallace & Tiernan[®]
an EVOQUA brand

Germany:
+49 8221 9040
wtger@evoqua.com

United Kingdom:
+44 1732 771777
info.uk.@evoqua.com

USA:
+1 856 507 9000
wtus@evoqua.com

Canada:
+1 905 944 2800
canadacustomerservice@evoqua.com

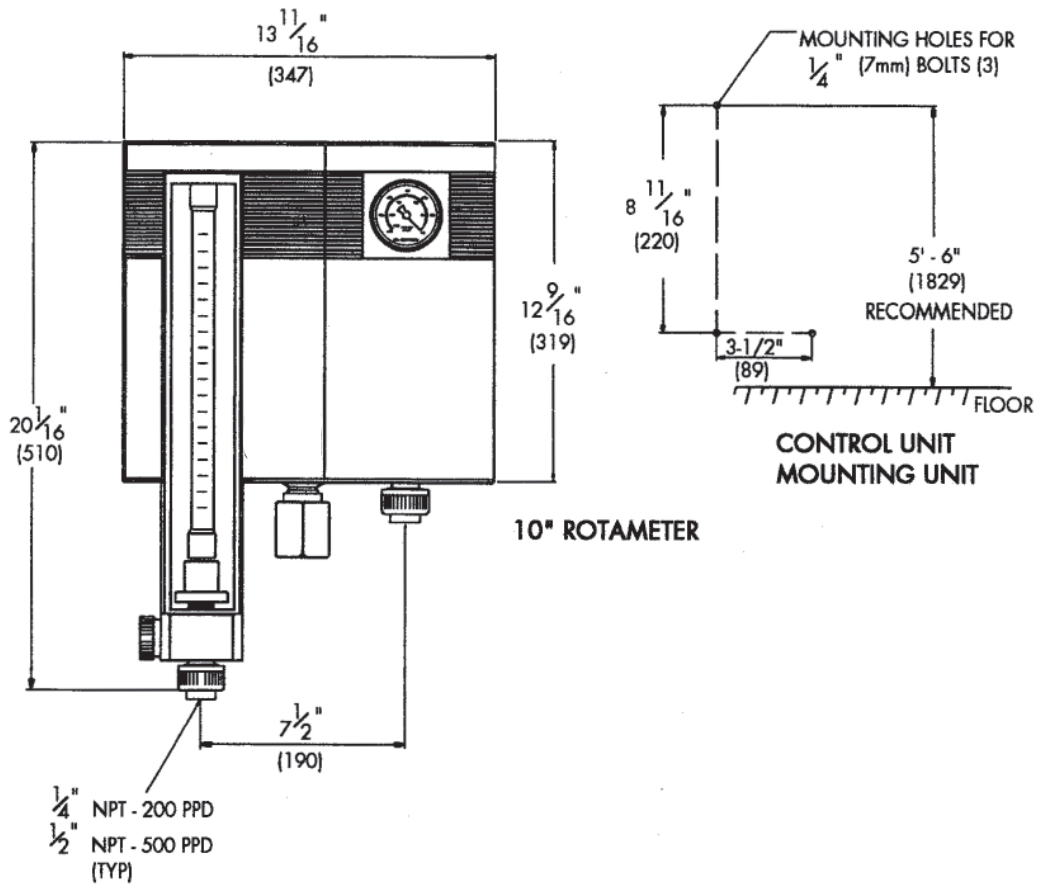
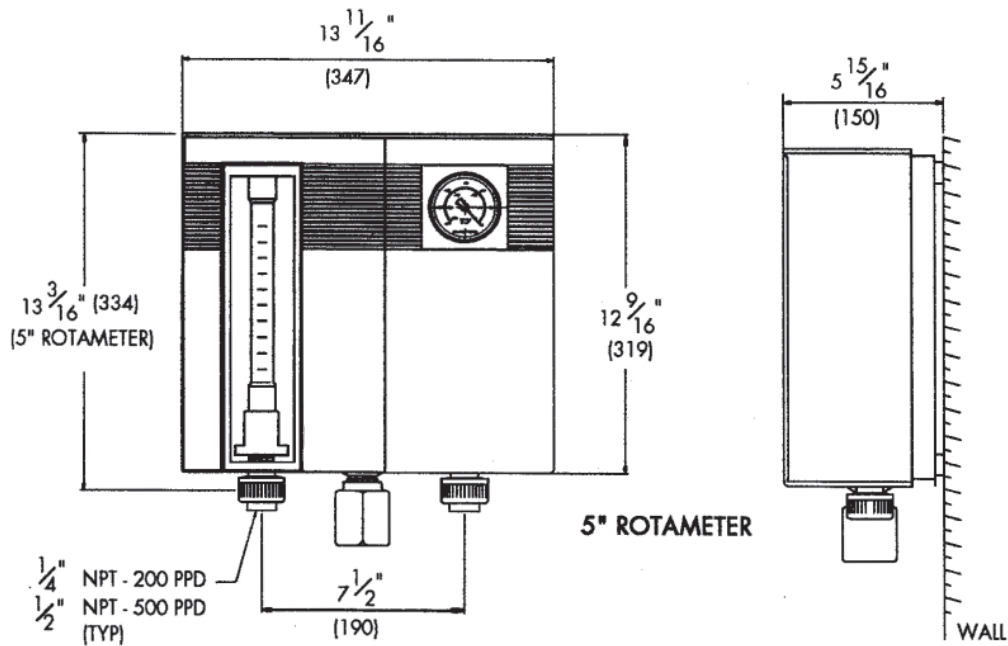
Singapore:
+65 6830 7100
infosg@evoqua.com

Australia:
+61 (0) 3 8720 6597
info.au@evoqua.com

Dimensions
WT.025.100.100.IE.CN.0714

V10K Gas Chlorinator

Wall Mounted



Germany:
+49 8221 9040
wtger@evoqua.com

United Kingdom:
+44 1732 771777
info.uk.@evoqua.com

USA:
+1 856 507 9000
wtus@evoqua.com

Canada:
+1 905 944 2800
canadacustomerservice
@evoqua.com

Singapore:
+65 6830 7100
infosg@evoqua.com

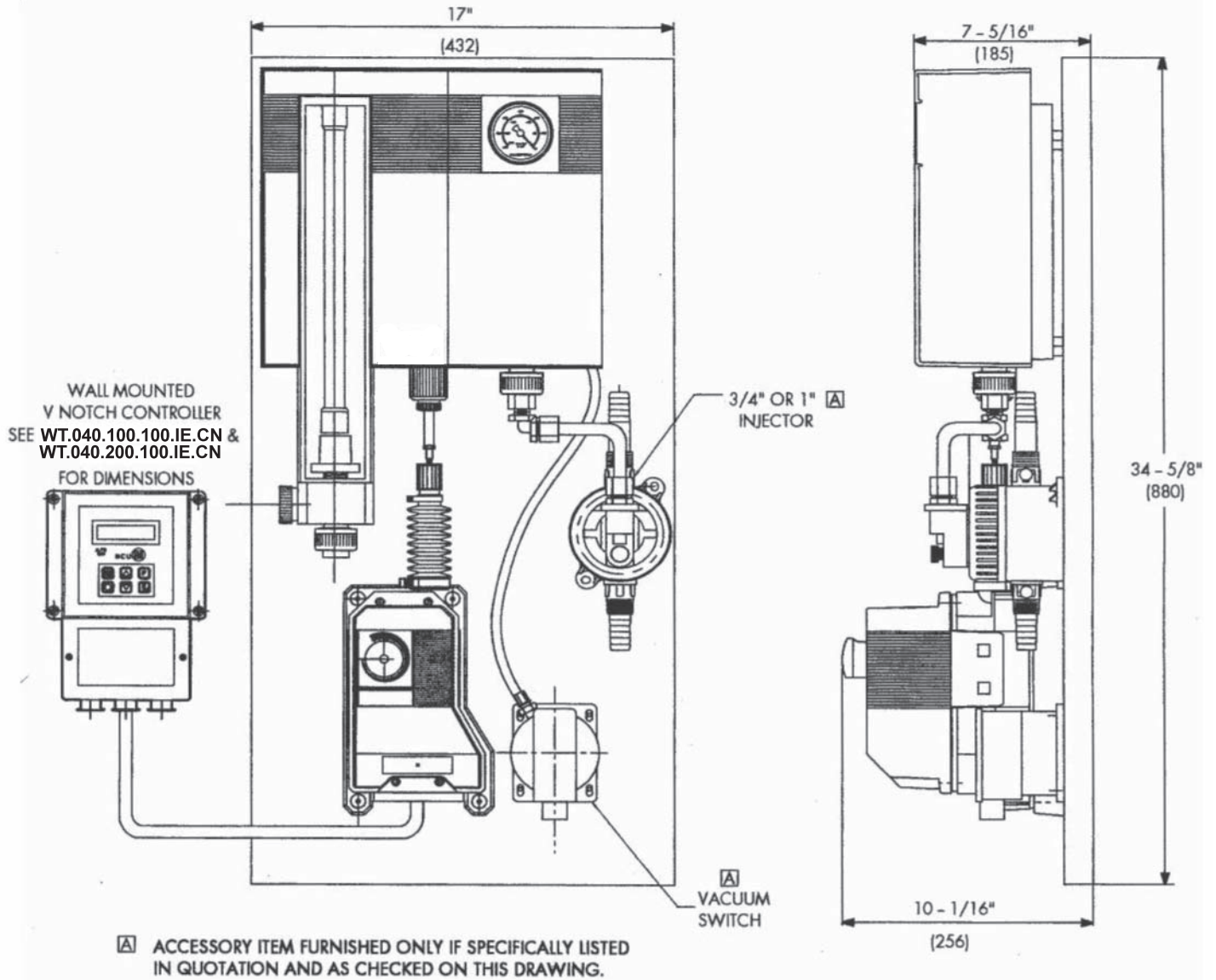
Australia:
+61 (0) 3 8720 6597
info.au@evoqua.com

Wallace & Tiernan[®]
an EVOQUA brand

Dimensions
WT.025.100.102.IE.CN.0714

V10K Gas Chlorinator

Automatic Arrangement, Remote Mounted Controller



Germany:
+49 8221 9040
wtger@evoqua.com

United Kingdom:
+44 1732 771777
info.uk.@evoqua.com

USA:
+1 856 507 9000
wtus@evoqua.com

Canada:
+1 905 944 2800
canadacustomerservice
@evoqua.com

Singapore:
+65 6830 7100
infosg@evoqua.com

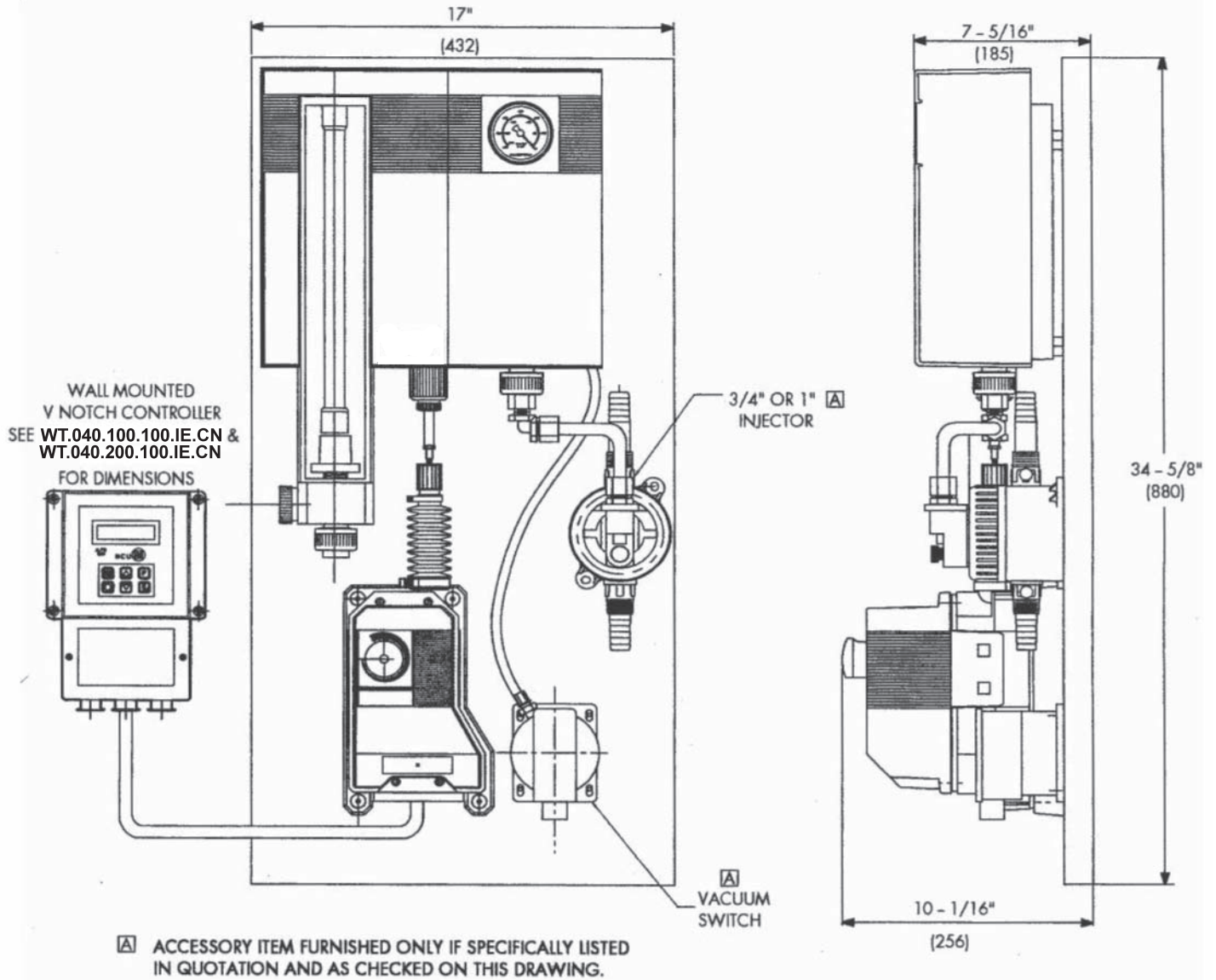
Australia:
+61 (0) 3 8720 6597
info.au@evoqua.com

Wallace & Tiernan[®]
an EVOQUA brand

Dimensions
WT.025.100.104.IE.CN.0714

V10K Gas Chlorinator

Automatic Arrangement, Remote Mounted Controller



Germany:
+49 8221 9040
wtger@evoqua.com

United Kingdom:
+44 1732 771777
info.uk.@evoqua.com

USA:
+1 856 507 9000
wtus@evoqua.com

Canada:
+1 905 944 2800
canadacustomerservice
@evoqua.com

Singapore:
+65 6830 7100
infosg@evoqua.com

Australia:
+61 (0) 3 8720 6597
info.au@evoqua.com

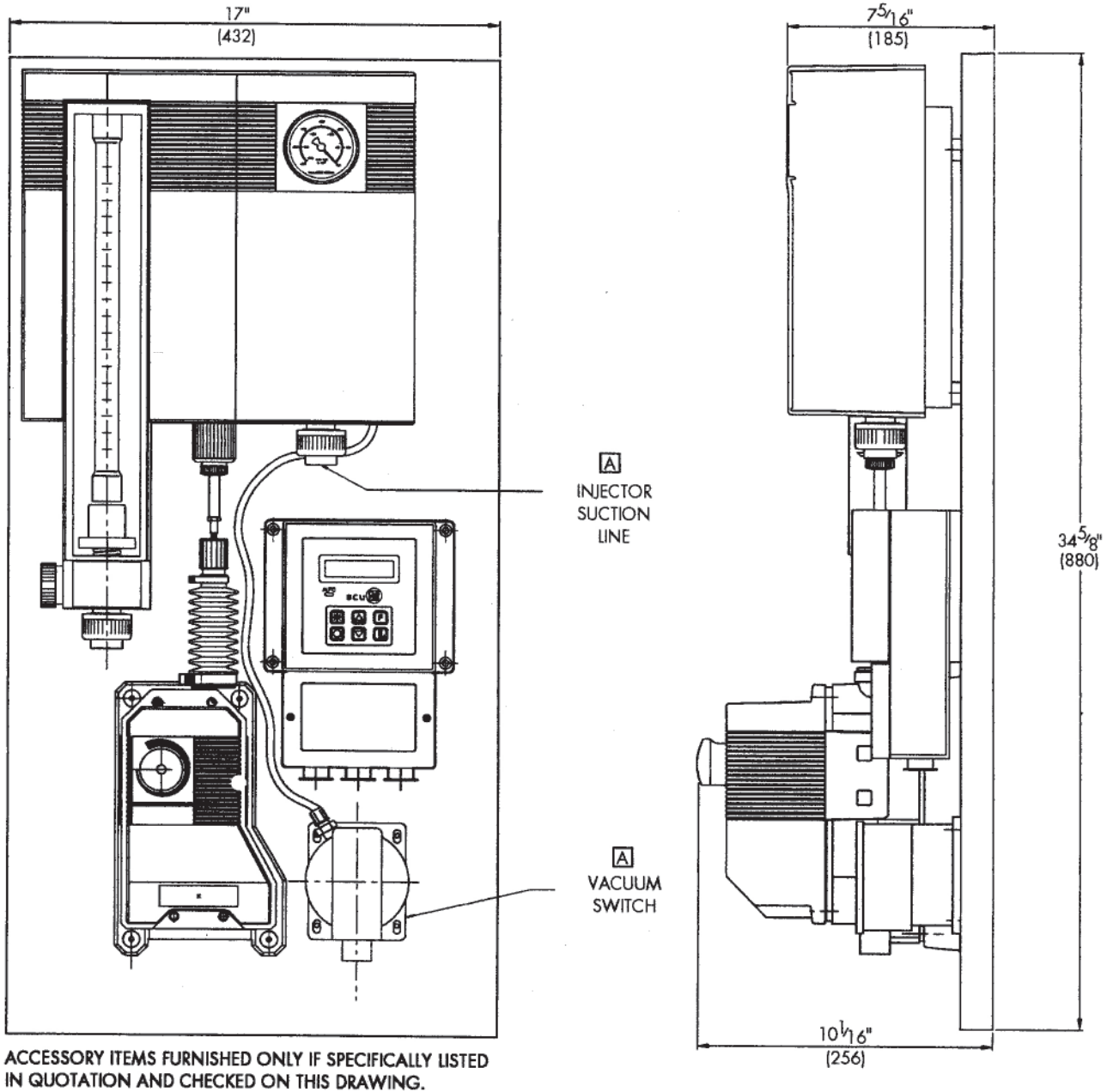
Wallace & Tiernan[®]

an EVOQUA brand

Dimensions
WT.025.100.104.IE.CN.0714

V10K Gas Chlorinator

Automatic Arrangement, Local Mounted Controller



Germany:
+49 8221 9040
wtger@evoqua.com

United Kingdom:
+44 1732 771777
info.uk.@evoqua.com

USA:
+1 856 507 9000
wtus@evoqua.com

Canada:
+1 905 944 2800
canadacustomerservice
@evoqua.com

Singapore:
+65 6830 7100
infosg@evoqua.com

Australia:
+61 (0) 3 8720 6597
info.au@evoqua.com

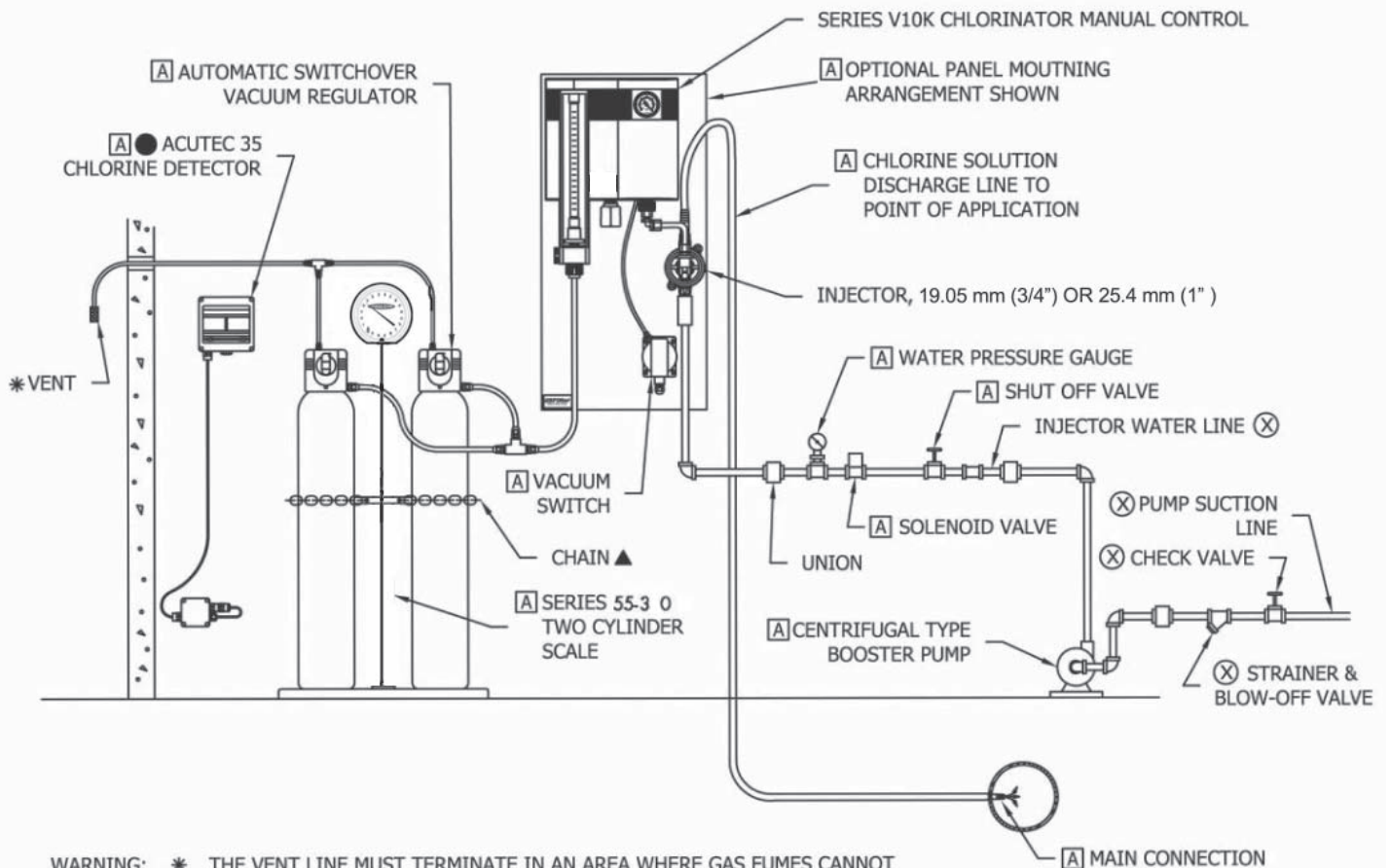
Wallace & Tiernan[®]
an EVOQUA brand

Dimensions

WT.025.100.106.IE.CN.0714

Series V10K Gas Chlorinator

Manuel Gas Feeder Installation



WARNING: * THE VENT LINE MUST TERMINATE IN AN AREA WHERE GAS FUMES CANNOT CAUSE DAMAGE OR INJURY TO PERSONNEL. DO NOT TERMINATE THE VENT LINE AT A LOCATION ROUTINELY USED BY PERSONNEL SUCH AS WORK AREAS OR PATHWAYS NOR NEAR WINDOWS OR VENTILATION SYSTEM INTAKES.

▲ CHLORINE CYLINDERS MUST BE SECURED IN SUCH A MANNER (e.g. CHAIN) AS TO PREVENT THEIR BEING KNOCKED OVER.

VENT DATA: RUN VENT TUBING TO OUTSIDE ATMOSPHERE WITH OUTER END POINTED DOWN. ATTACH SCREEN.

NOTE: (X) NOT FURNISHED BY EVOQUA WATER TECHNOLOGIES

[A] ACCESSORY ITEM FURNISHED ONLY IF SPECIFICALLY LISTED IN QUOTATION AND AS CHECKED ON THIS DRAWING.

● UNATTENDED CHLORINE CONTAINERS AND CHLORINATION EQUIPMENT SHOULD ALWAYS BE MONITORED FOR LEAKS BY ONE OR MORE CHLORINE DETECTORS WHICH RESPOND QUICKLY TO THE PRESENCE OF CHLORINE IN AMBIENT AIR.

Germany:
+49 8221 9040
wtger@evoqua.com

United Kingdom:
+44 1732 771777
info.uk.@evoqua.com

USA:
+1 856 507 9000
wtus@evoqua.com

Canada:
+1 905 944 2800
canadacustomerservice
@evoqua.com

Singapore:
+65 6830 7100
infosg@evoqua.com

Australia:
+61 (0) 3 8720 6597
info.au@evoqua.com

Wallace & Tiernan[®]
an EVOQUA brand

Typical Installation
WT.025.100.202.IE.CN.0714

V10K Gas Chlorinator

Space Recommendations

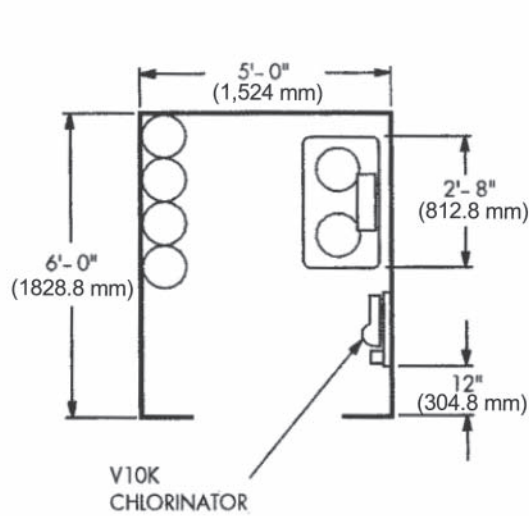


FIG. 1

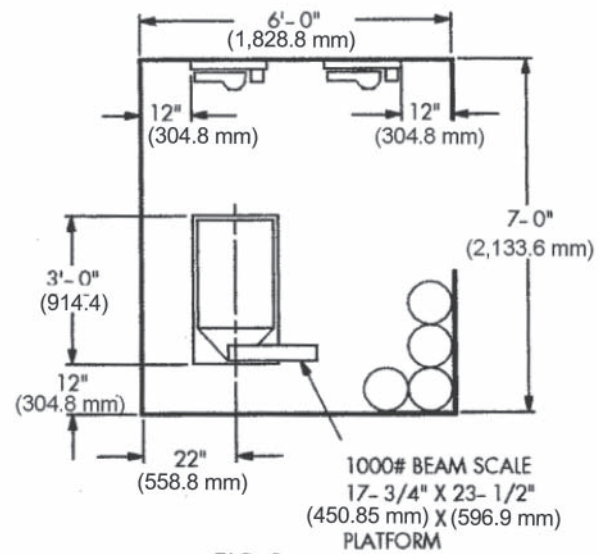


FIG. 2

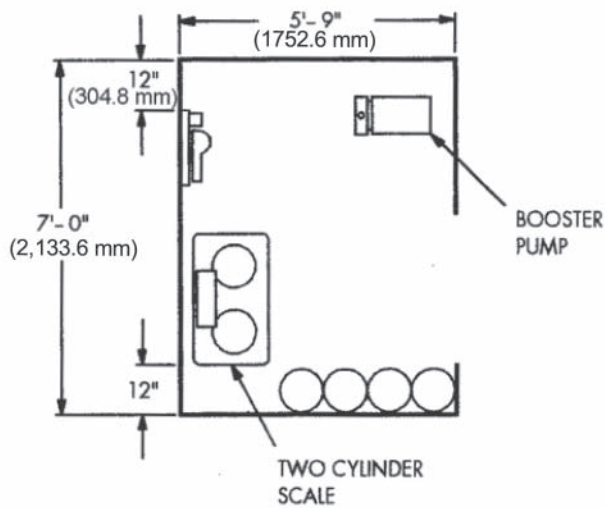


FIG. 3

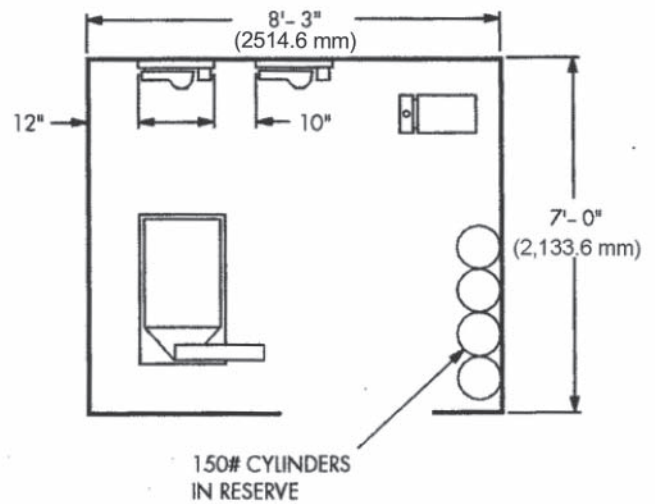


FIG. 4

NOTE: ARRANGEMENTS SHOWN ARE NECESSARILY TYPICAL AND ARE TO ILLUSTRATE LAYOUT PROCEDURE. MANY OTHER COMBINATIONS ARE PRACTICAL AND OFTEN DESIRABLE.

Wallace & Tiernan[®]
an EVOQUA brand

Germany:
+49 8221 9040
wtger@evoqua.com

United Kingdom:
+44 1732 771777
info.uk.@evoqua.com

USA:
+1 856 507 9000
wtus@evoqua.com

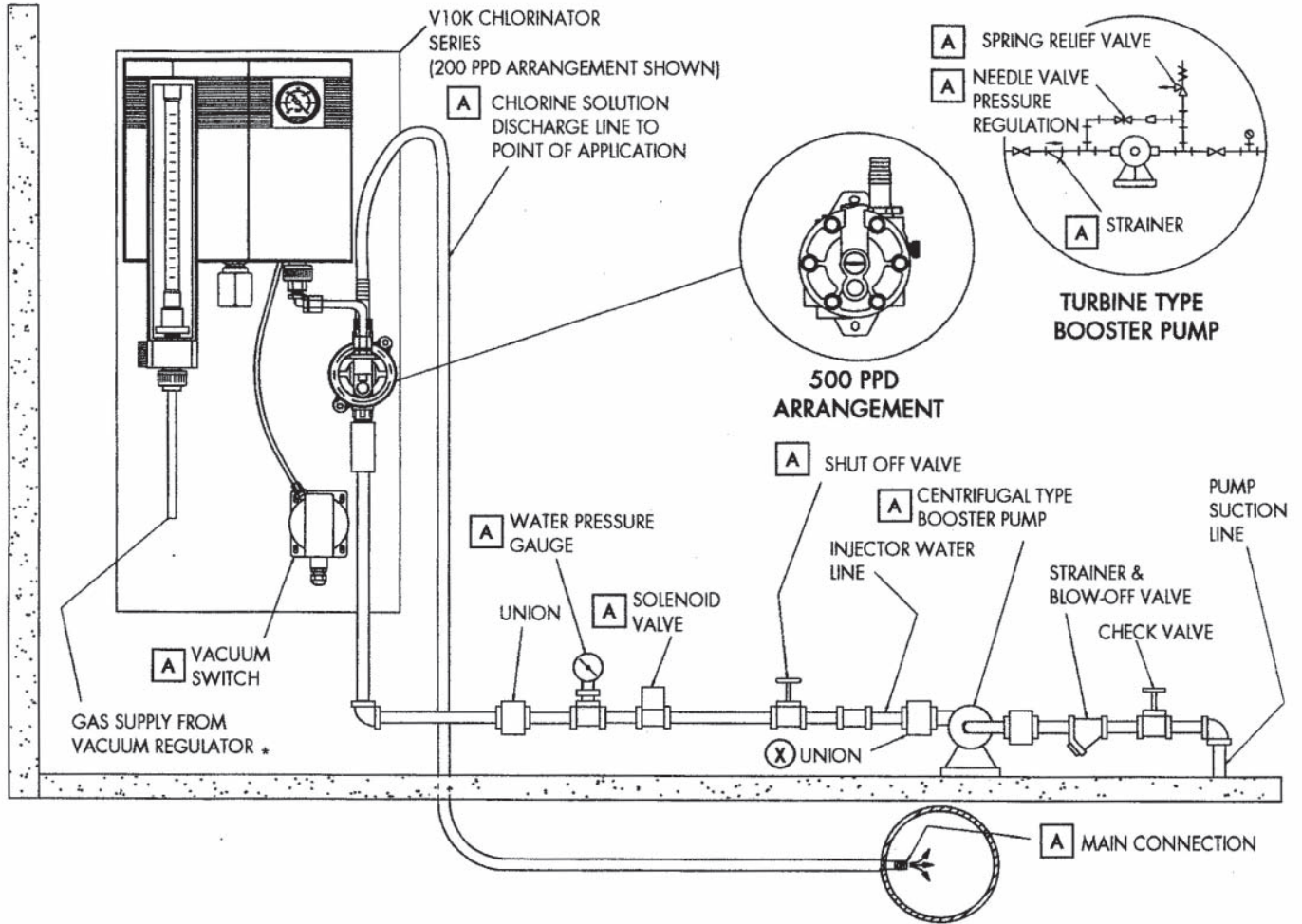
Canada:
+1 905 944 2800
canadacustomerservice
@evoqua.com

Singapore:
+65 6830 7100
infosg@evoqua.com

Australia:
+61 (0) 3 8720 6597
info.au@evoqua.com

Dimensions
WT.025.100.206.IE.CN.0714

V10K Gas Chlorinator



NOTE: * PRESSURE RELIEF IS REQUIRED EITHER AT VACUUM REGULATOR OR REMOTE. SEE FOR TYPICAL INSTALLATION OF REMOTE PRESSURE RELIEF.

A ACCESSORY ITEM FURNISHED ONLY IF SPECIFICALLY LISTED IN QUOTATION AND AS CHECKED ON THIS DRAWING.

X NOT FURNISHED BY EVOQUA WATER TECHNOLOGIES

Germany:
+49 8221 9040
wtger@evoqua.com

United Kingdom:
+44 1732 771777
info.uk.@evoqua.com

USA:
+1 856 507 9000
wtus@evoqua.com

Canada:
+1 905 944 2800
canadacustomerservice
@evoqua.com

Singapore:
+65 6830 7100
infosg@evoqua.com

Australia:
+61 (0) 3 8720 6597
info.au@evoqua.com

Wallace & Tiernan[®]
an EVOQUA brand

Typical Installation
WT.025.100.208.IE.CN.0714