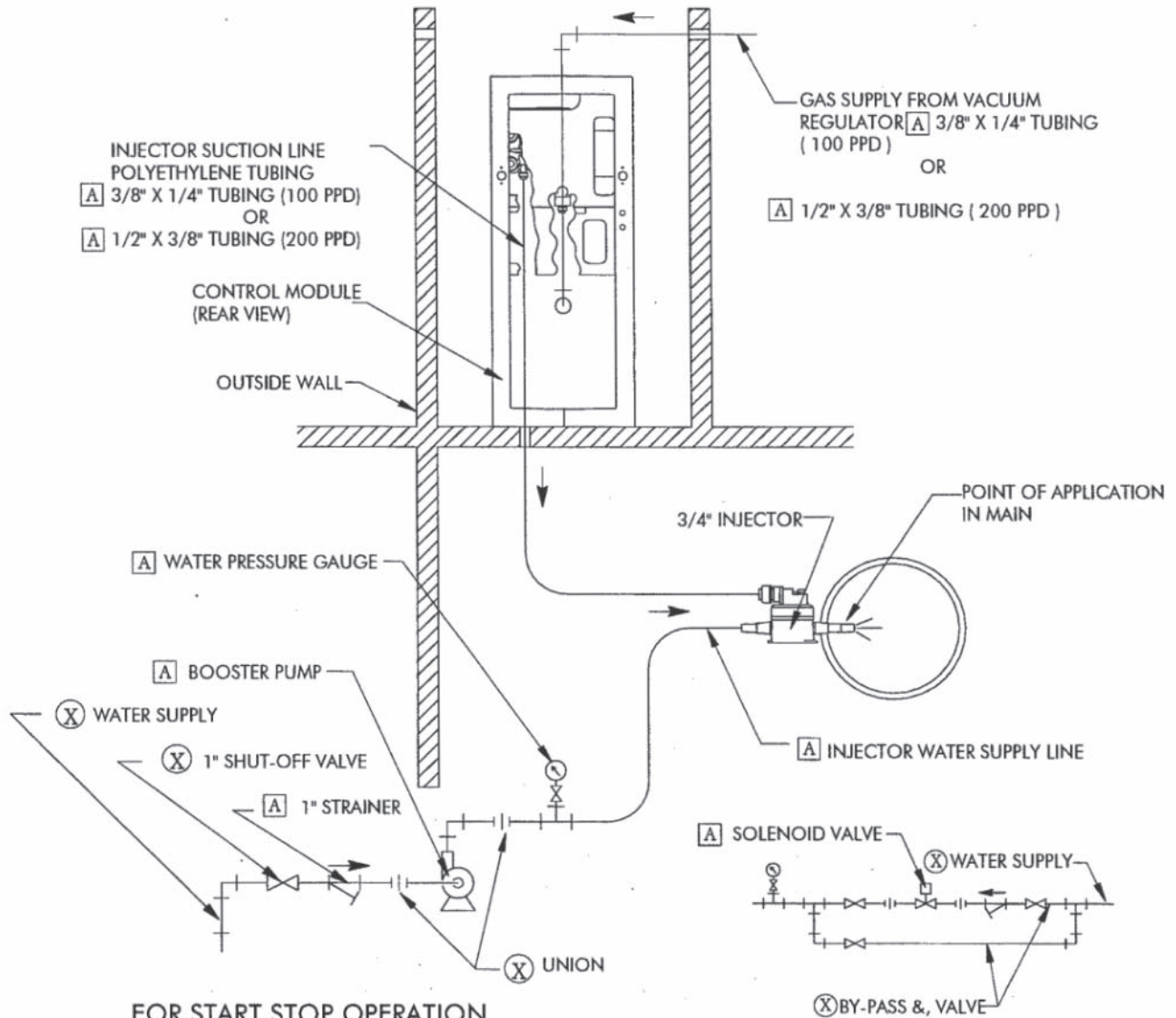


Series V-2000 Remote Vacuum Chlorinator

500 PPD Arrangement with Remote 3/4" Fixed Throat Injector



FOR START STOP OPERATION

- (a) BOOSTER PUMP TO BE OPERATED BY START-STOP CONTROL DEVICE.
- (b) IF BOOSTER PUMP IS NOT REQUIRED. SOLENOID IN WATER SUPPLY LINE (AS SHOWN) TO BE OPERATED BY START-STOP CONTROL DEVICE.

NOTE: (X) NOT FURNISHED BY EVOQUA WATER TECHNOLOGIES

(A) ACCESSORY ITEM FURNISHED ONLY IF SPECIFICALLY LISTED IN QUOTATION AND AS CHECKED ON THIS DRAWING.

WARNING: 1) PRESSURE RELIEF IS REQUIRED EITHER AT VACUUM REGULATOR OR REMOTE. SEE FOR TYPICAL INSTALLATION OF REMOTE PRESSURE RELIEF.

Germany:
+49 8221 9040
wtger@evoqua.com

United Kingdom:
+44 1732 771777
info.uk.@evoqua.com

USA:
+1 856 507 9000
wtus@evoqua.com

Wallace & Tiernan[®]
an EVOQUA brand

Canada:
+1 905 944 2800
canadacustomerservice@evoqua.com

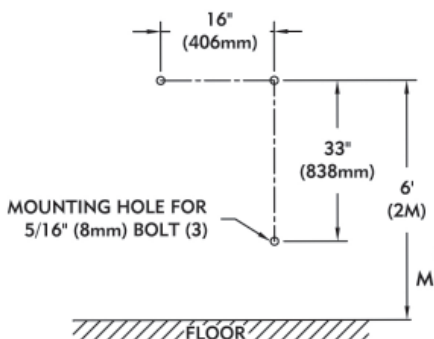
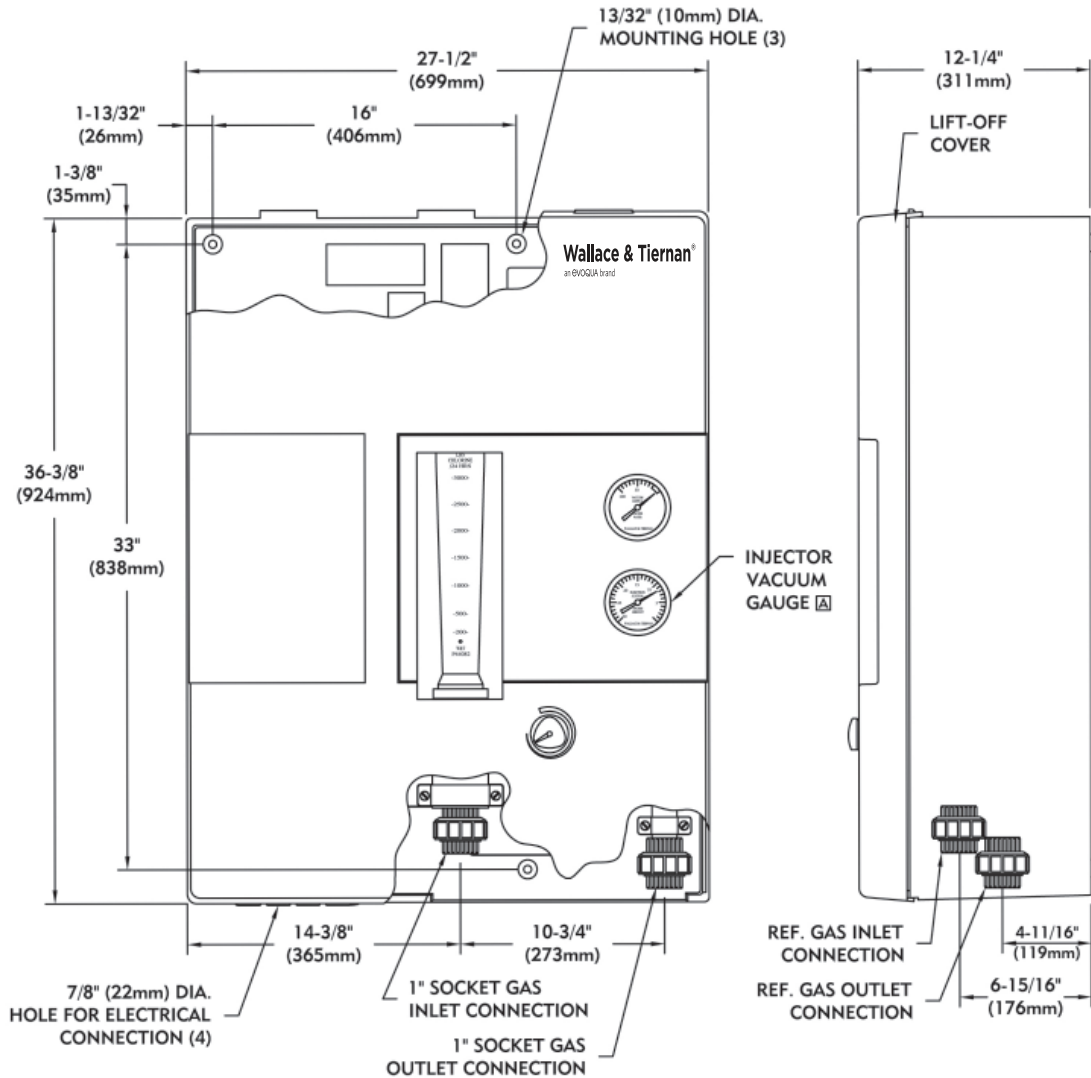
Singapore:
+65 6830 7100
infosg@evoqua.com

Australia:
+61 (0) 3 8720 6597
info.au@evoqua.com

Installation

WT.025.000.202.IE.CN.0714

Series V-2000 Select Wall Mounted Chlorinator



- NOTES:**
1. RECOMMENDED MINIMUM ACCESS SPACE IN FRONT OF UNIT IS 4' (1219mm).
 2. ACCESSORY ITEM FURNISHED ONLY IF SPECIFICALLY LISTED IN QUOTATION AND AS CHECKED ON THIS DRAWING.

CONTROL UNIT MOUNTING DETAIL

Germany:
+49 8221 9040
wtger@evoqua.com

United Kingdom:
+44 1732 771777
info.uk.@evoqua.com

USA:
+1 856 507 9000
wtus@evoqua.com

Canada:
+1 905 944 2800
canadacustomerservice@evoqua.com

Singapore:
+65 6830 7100
infosg@evoqua.com

Australia:
+61 (0) 3 8720 6597
info.au@evoqua.com

Wallace & Tiernan[®]

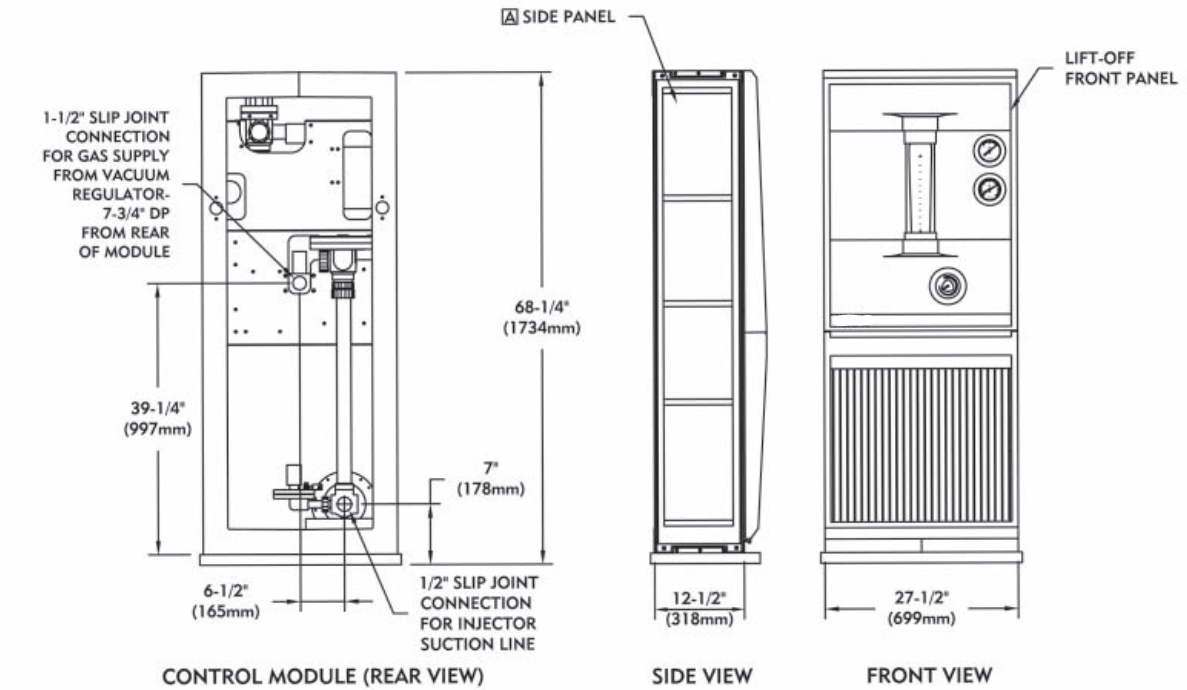
an EVOQUA brand

Dimensions

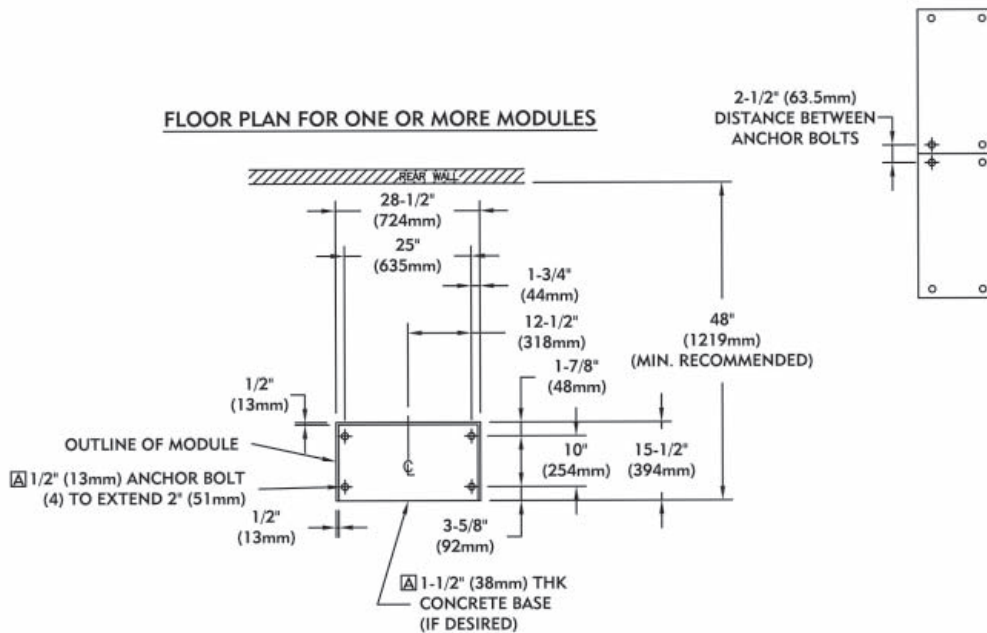
WT.025.054.100.IE.CN.0714

Series V-2000 Select

10,000 PPD Chlorinator Arrangement



FLOOR PLAN FOR ONE OR MORE MODULES



NOTE:
 [A] ACCESSORY ITEM FURNISHED ONLY IF SPECIFICALLY LISTED IN QUOTATION AND AS CHECKED ON THIS DRAWING.

Germany:
 +49 8221 9040
 wtger@evoqua.com

United Kingdom:
 +44 1732 771777
 info.uk.@evoqua.com

USA:
 +1 856 507 9000
 wtus@evoqua.com

Wallace & Tiernan[®]
 an EVOQUA brand

Canada:
 +1 905 944 2800
 canadacustomerservice@evoqua.com

Singapore:
 +65 6830 7100
 info.sg@evoqua.com

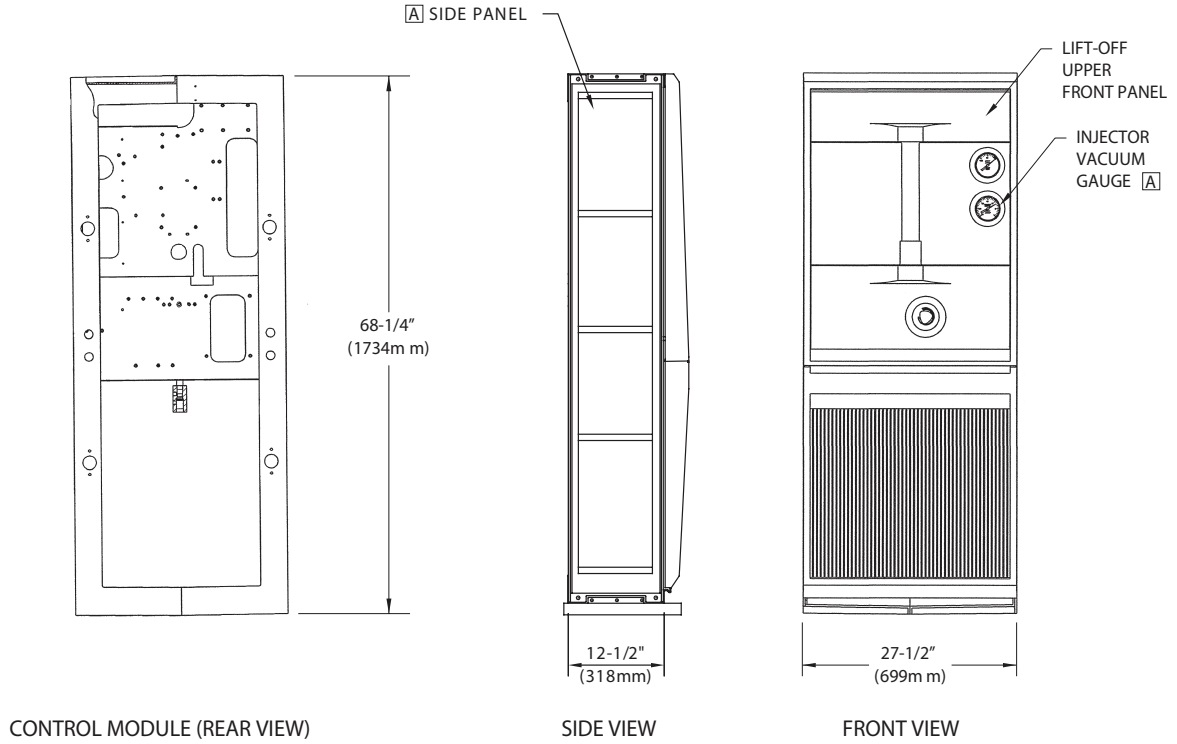
Australia:
 +61 (0) 3 8720 6597
 info.au@evoqua.com

Dimensions

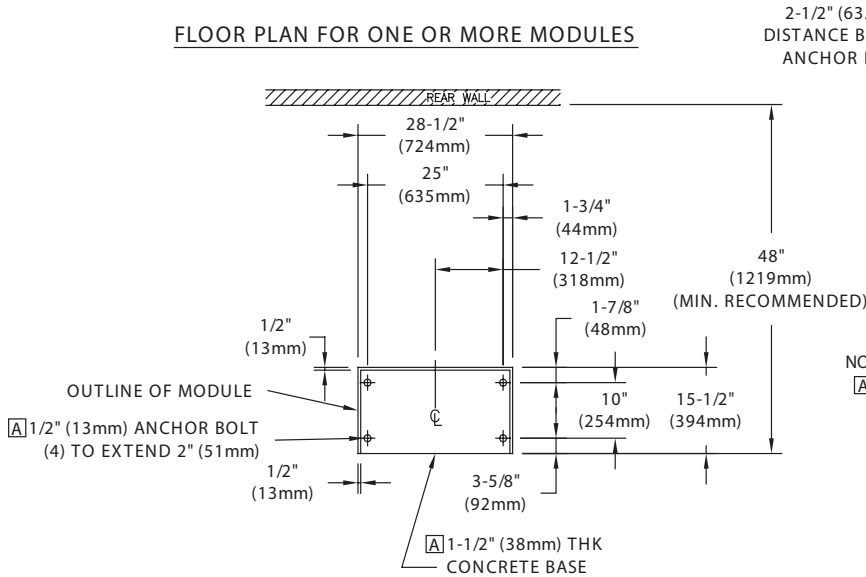
WT.025.054.102.IE.CN.0714

Series V-2000 Select

500 PPD Chlorinator Arrangement



FLOOR PLAN FOR ONE OR MORE MODULES



NOTE:
 [A] ACCESSORY ITEM FURNISHED ONLY IF SPECIFICALLY LISTED IN QUOTATION AND AS CHECKED ON THIS DRAWING.

Germany:
 +49 8221 9040
 wtger@evoqua.com

United Kingdom:
 +44 1732 771777
 info.uk.@evoqua.com

USA:
 +1 856 507 9000
 wtus@evoqua.com

Wallace & Tiernan[®]
 an EVOQUA brand

Canada:
 +1 905 944 2800
 canadacustomerservice@evoqua.com

Singapore:
 +65 6830 7100
 infosg@evoqua.com

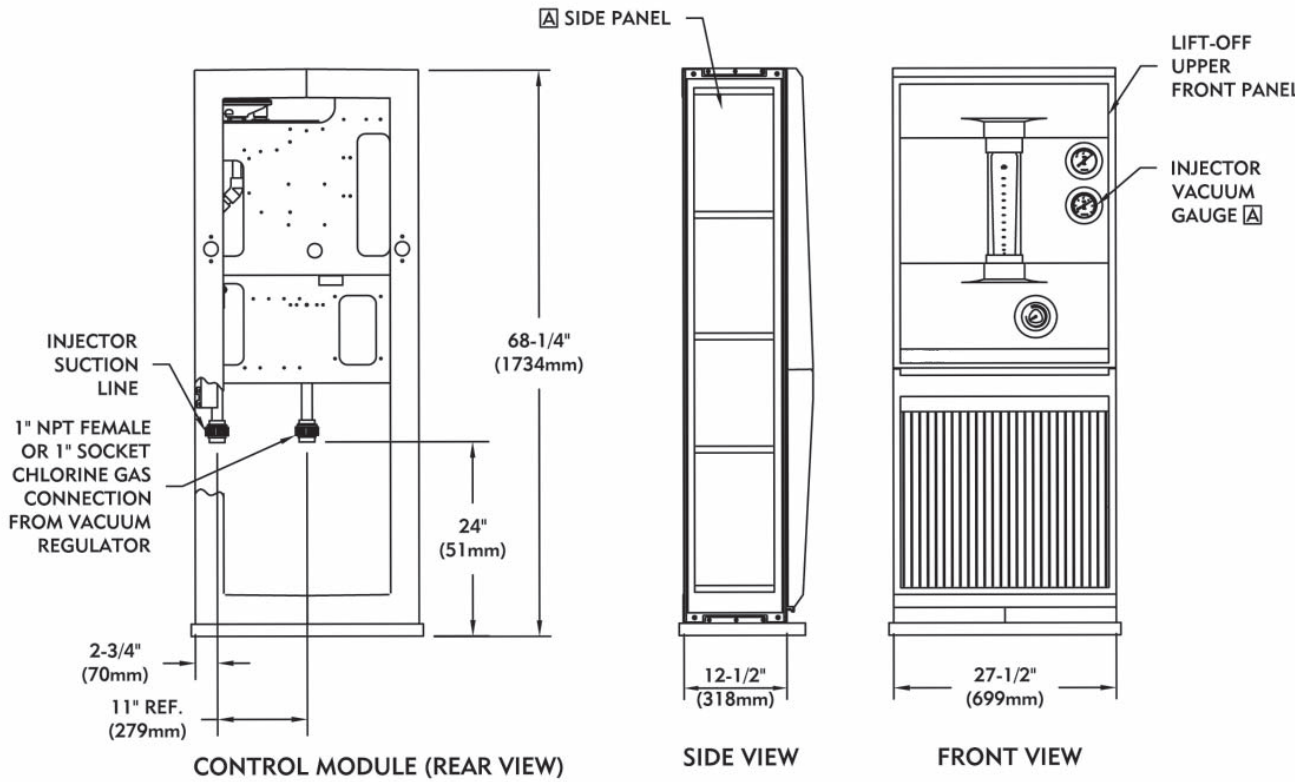
Australia:
 +61 (0) 3 8720 6597
 info.au@evoqua.com

Dimensions

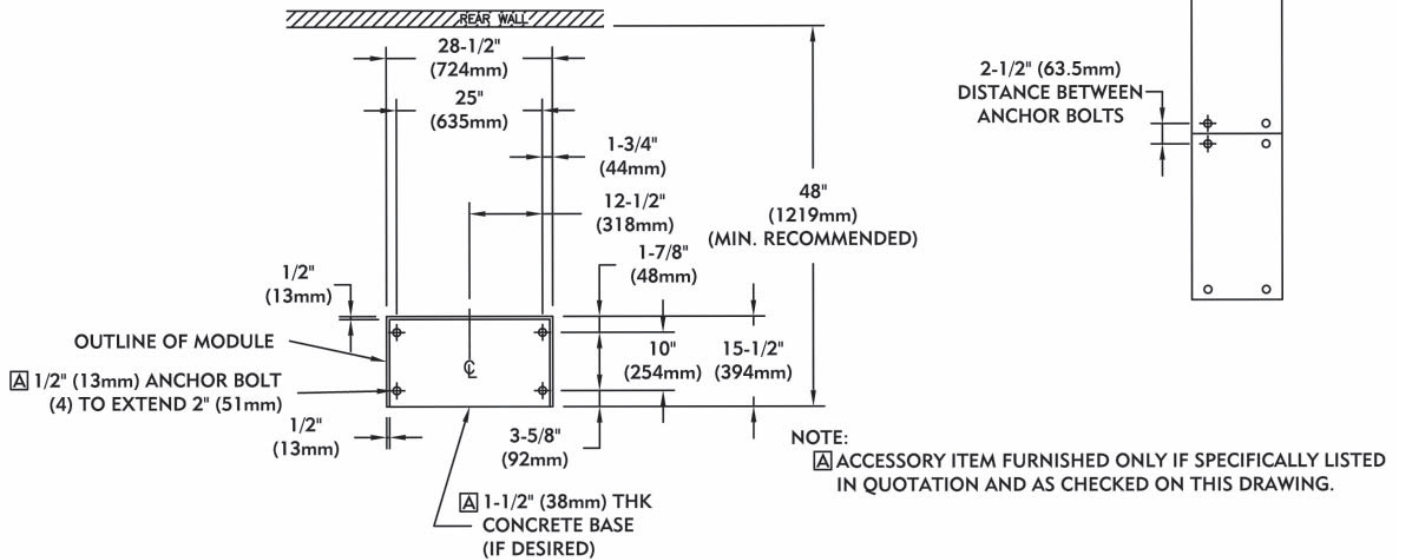
WT.025.054.104.IE.CN.0714

Series V-2000 Select

3,000PPD Chlorinator Arrangement



FLOOR PLAN FOR ONE OR MORE MODULES



Germany:
+49 8221 9040
wtger@evoqua.com

United Kingdom:
+44 1732 771777
info.uk.@evoqua.com

USA:
+1 856 507 9000
wtus@evoqua.com

Wallace & Tiernan[®]
an EVOQUA brand

Canada:
+1 905 944 2800
canadacustomerservice@evoqua.com

Singapore:
+65 6830 7100
infosg@evoqua.com

Australia:
+61 (0) 3 8720 6597
info.au@evoqua.com

Dimensions

WT.025.054.106.IE.CN.0714

Series V-2000 Chlorinator 500 PPD Arrangement

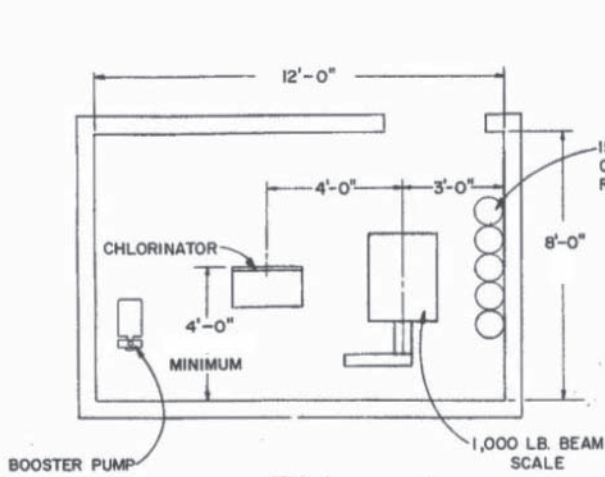


FIG. 1

FOR TYPICAL INSTALLATION
SEE CAT. NO. WT.025.054.104.UA.CN

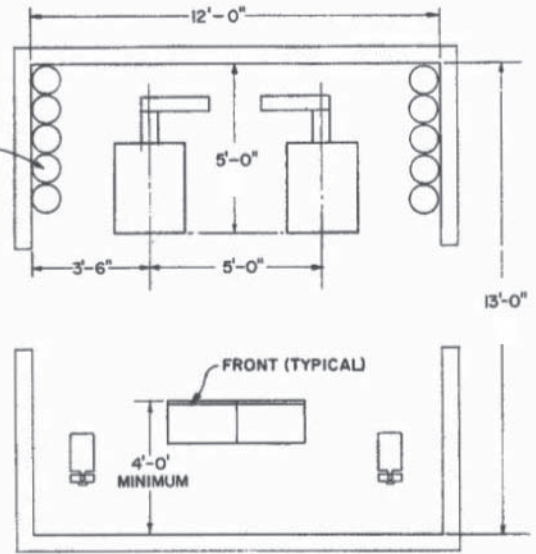


FIG. 2

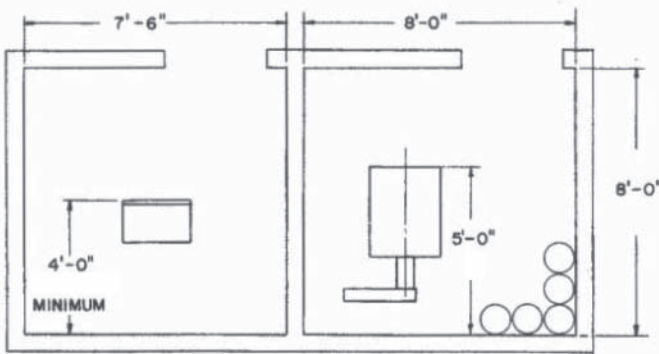


FIG. 3

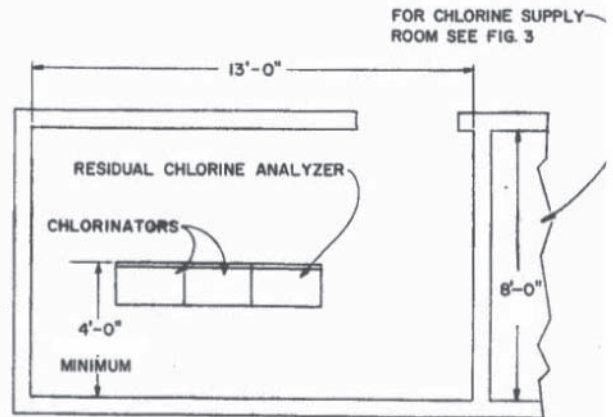


FIG. 5

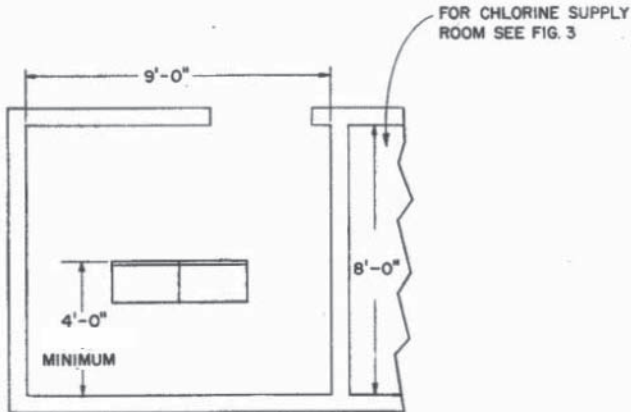


FIG. 4

Wallace & Tiernan[®]
an EVOQUA brand

Germany:
+49 8221 9040
wtger@evoqua.com

United Kingdom:
+44 1732 771777
info.uk.@evoqua.com

USA:
+1 856 507 9000
wtus@evoqua.com

Canada:
+1 905 944 2800
canadacustomerservice
@evoqua.com

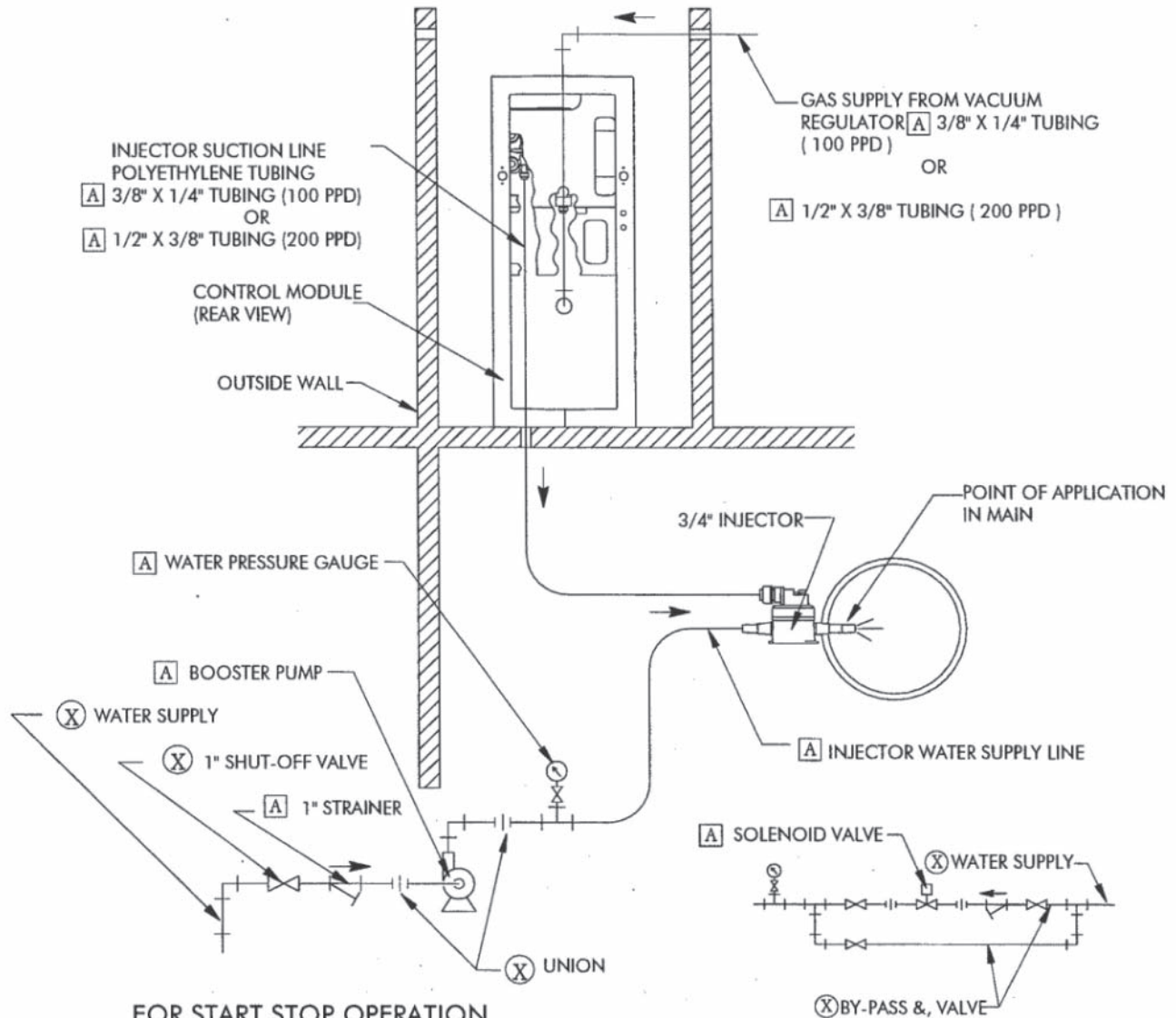
Singapore:
+65 6830 7100
infosg@evoqua.com

Australia:
+61 (0) 3 8720 6597
info.au@evoqua.com

Typical Installation
WT.025.055.200.IE.CN.0714

Series V-2000 Chlorinator

500 PPD Arrangement with Remote 3/4" Fixed Throat Injector



FOR START STOP OPERATION

- (a) BOOSTER PUMP TO BE OPERATED BY START-STOP CONTROL DEVICE.
- (b) IF BOOSTER PUMP IS NOT REQUIRED. SOLENOID IN WATER SUPPLY LINE (AS SHOWN) TO BE OPERATED BY START-STOP CONTROL DEVICE.

NOTE: (X) NOT FURNISHED BY EVOQUA WATER TECHNOLOGIES

[A] ACCESSORY ITEM FURNISHED ONLY IF SPECIFICALLY LISTED IN QUOTATION AND AS CHECKED ON THIS DRAWING.

WARNING: 1) PRESSURE RELIEF IS REQUIRED EITHER AT VACUUM REGULATOR OR REMOTE. SEE FOR TYPICAL INSTALLATION OF REMOTE PRESSURE RELIEF.

Wallace & Tiernan[®]

an EVOQUA brand

Germany:
+49 8221 9040
wtger@evoqua.com

United Kingdom:
+44 1732 771777
info.uk.@evoqua.com

USA:
+1 856 507 9000
wtus@evoqua.com

Canada:
+1 905 944 2800
canadacustomerservice
@evoqua.com

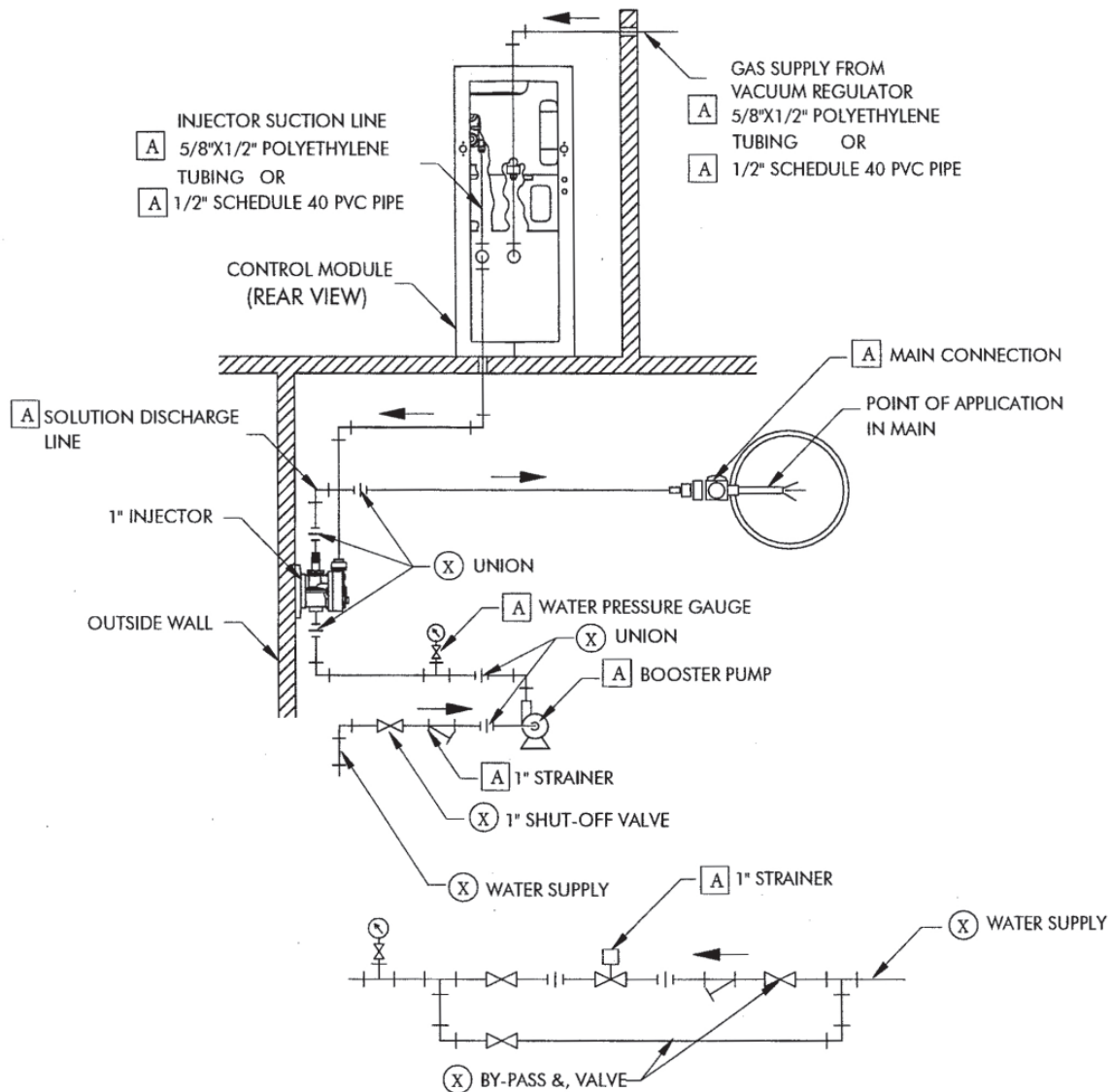
Singapore:
+65 6830 7100
infosg@evoqua.com

Australia:
+61 (0) 3 8720 6597
info.au@evoqua.com

Typical Installation
WT.025.055.202.IE.CN.0714

Series V-2000 Chlorinator

500 PPD Arrangement with Remote 1" Fixed Throat Injector



FOR START STOP OPERATION

- (a) BOOSTER PUMP TO BE OPERATED BY START-STOP CONTROL DEVICE.
- (b) IF BOOSTER PUMP IS NOT REQUIRED. SOLENOID IN WATER SUPPLY LINE (AS SHOWN) TO BE OPERATED BY START-STOP CONTROL DEVICE.

NOTE: (X) NOT FURNISHED BY EVOQUA WATER TECHNOLOGIES
 (A) ACCESSORY ITEM FURNISHED ONLY IF SPECIFICALLY LISTED IN QUOTATION AND AS CHECKED ON THIS DRAWING.

WARNING: 1) PRESSURE RELIEF IS REQUIRED EITHER AT VACUUM REGULATOR OR REMOTE. SEE FOR TYPICAL INSTALLATION OF REMOTE PRESSURE RELIEF.

Wallace & Tiernan[®]
 an EVOQUA brand

Germany:
 +49 8221 9040
 wtger@evoqua.com

United Kingdom:
 +44 1732 771777
 info.uk.@evoqua.com

USA:
 +1 856 507 9000
 wtus@evoqua.com

Canada:
 +1 905 944 2800
 canadacustomerservice@evoqua.com

Singapore:
 +65 6830 7100
 infosg@evoqua.com

Australia:
 +61 (0) 3 8720 6597
 info.au@evoqua.com

Typical Installation
 WT.025.055.204.IE.CN.0714

**Series V-2000 Chlorinator
3,000 PPD Arrangement**

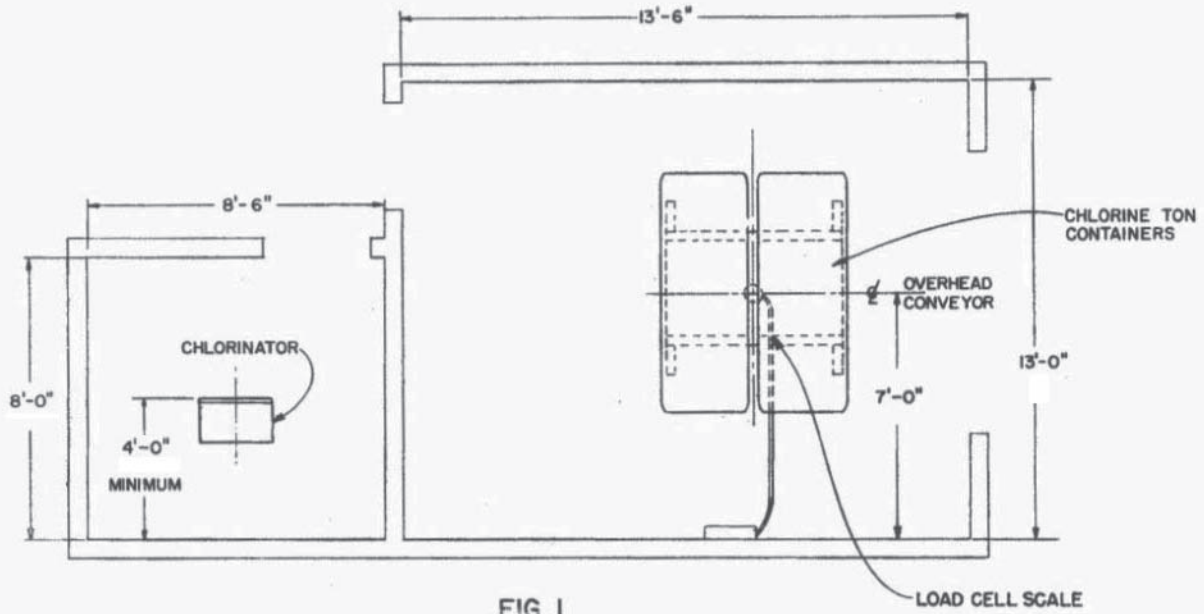


FIG. 1

FOR TYPICAL INSTALLATION
SEE WT.025.055.208.IE.CN
THRU WT.025.055.214.IE.CN

FOR CHLORINE SUPPLY
ROOM SEE FIG. 1

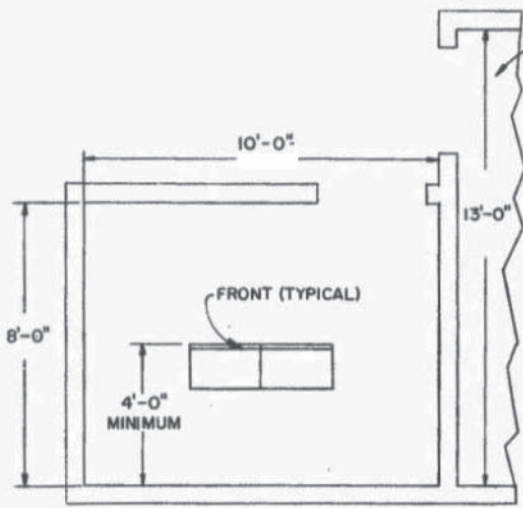


FIG. 2

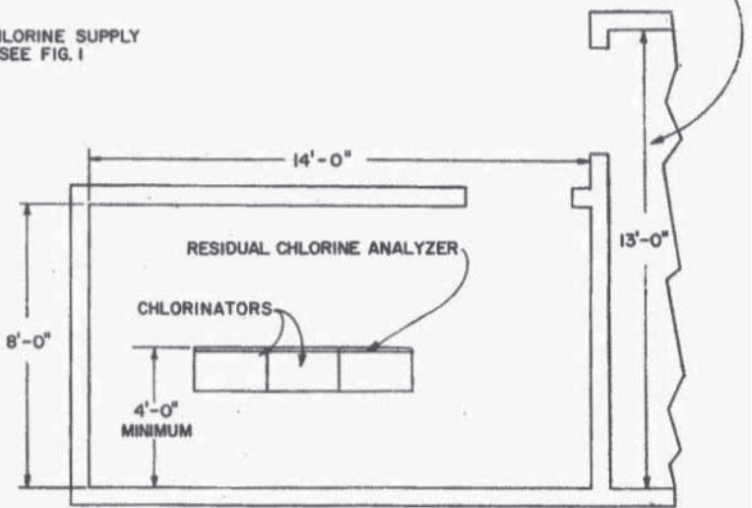


FIG. 3

Germany:
+49 8221 9040
wtger@evoqua.com

United Kingdom:
+44 1732 771777
info.uk.@evoqua.com

USA:
+1 856 507 9000
wtus@evoqua.com

Canada:
+1 905 944 2800
canadacustomerservice
@evoqua.com

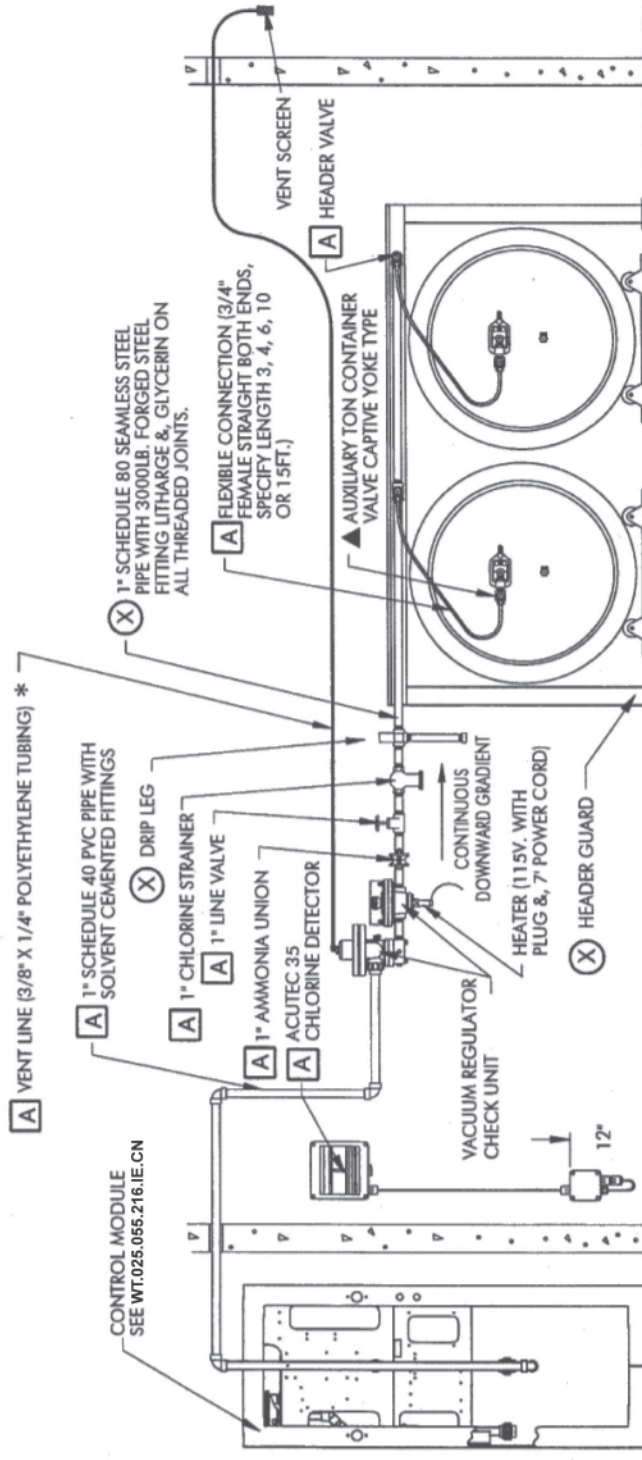
Singapore:
+65 6830 7100
infosg@evoqua.com

Australia:
+61 (0) 3 8720 6597
info.au@evoqua.com

Wallace & Tiernan[®]
an EVOQUA brand

Typical Installation
WT.025.055.206.IE.CN.0714

Series V-2000 Chlorinator
3000 PPD Arrangement - Ton Container Supply,
Standard Vacuum Regulator - Check Unit



FOR LONGER PERMISSIBLE VACUUM LINE LENGTH, SUBSTITUTE 1-1/2" SCHEDULE 40 PVC PIPE.
 A. EACH FOOT OF 3/4" PIPE CAN BE REPLACED WITH 14.5FT. OF 1-1/2" PIPE.
 B. EACH FOOT OF 1" PIPE CAN BE REPLACED WITH 5.5FT. OF 1-1/2" PIPE.

WARNING: *

THE VENT LINE AND RELIEF LINE MUST TERMINATE IN AN AREA WHERE GAS FUMES CANNOT CAUSE DAMAGE OR INJURY TO PERSONNEL. DO NOT TERMINATE THE VENT LINE OR RELIEF LINE AT A LOCATION ROUTINELY USED BY PERSONNEL SUCH AS WORK AREAS OR PATHWAYS NOR NEAR WINDOWS OR VENTILATION SYSTEM INTAKES.

CAUTION:

▲ GAS WITHDRAWAL CONNECTION MUST BE MADE TO UPPER VALVE AS ILLUSTRATED.

NOTE:

ⓧ NOT FURNISHED BY EVOQUA WATER TECHNOLOGIES

▲ ACCESSORY ITEM FURNISHED ONLY IF SPECIFICALLY LISTED IN QUOTATION AND AS CHECKED ON THIS DRAWING.

● UNATTENDED CHLORINE CONTAINERS AND CHLORINATION EQUIPMENT SHOULD ALWAYS BE MONITORED FOR LEAKS BY ONE OR MORE CHLORINE DETECTORS WHICH RESPOND QUICKLY TO THE PRESENCE OF CHLORINE IN AMBIENT AIR.

GAS CAPACITY LBS./HOURS	MAXIMUM VACUUM LINE LENGTH IN FEET FROM VACUUM REGULATOR TO CONTROL MODULE	
	1" SCHEDULE 40 PVC PIPE	3/4" SCHEDULE 40 PVC PIPE
3000	17	115
2000	43	237
1500	30	74
1250	41	100
1000	62	150
750	105	260
500	220	550

DEDUCT 2 FT. FOR EACH 90° ELBOW USED & 1 FT. FOR EVERY 4 STRAIGHT FITTINGS USED.

Wallace & Tiernan[®]
 an EVOQUA brand

Typical Installation
 WT.025.055.208.IE.CN.0714

Germany:
 +49 8221 9040
 wtger@evoqua.com

United Kingdom:
 +44 1732 771777
 info.uk.@evoqua.com

USA:
 +1 856 507 9000
 wtus@evoqua.com

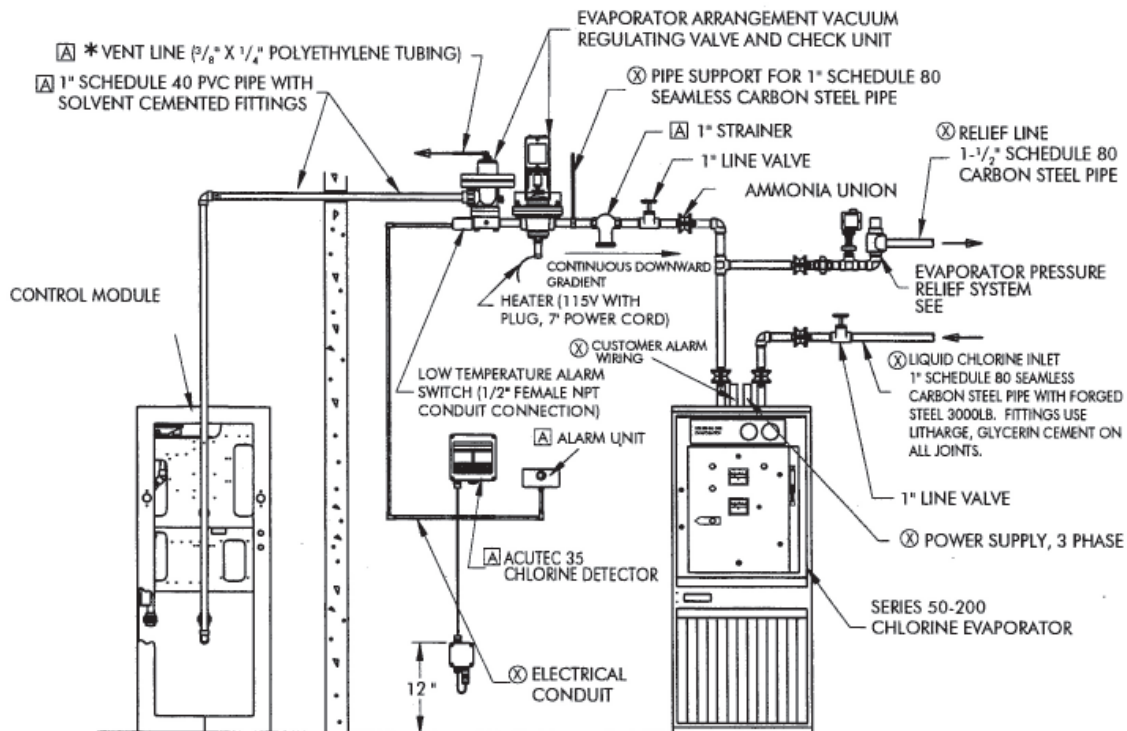
Canada:
 +1 905 944 2800
 canadacustomerservice@evoqua.com

Singapore:
 +65 6830 7100
 infosg@evoqua.com

Australia:
 +61 (0) 3 8720 6597
 info.au@evoqua.com

Series V-2000 Chlorinator

3000 PPD Arrangement - Evaporator Supply



GAS CAPACITY LBS / 24HRS	MAXIMUM VACUUM LINE LENGTH IN FEET FROM VACUUM REGULATOR TO CONTROL MODULE		
	3/4\" SCHEDULE 40 PVC PIPE	1\" SCHEDULE 40 PVC PIPE	1-1/2\" SCHEDULE 40 PVC PIPE
3000	-	-	115
2000	17	43	237
1500	30	74	407
1250	41	100	550
1000	62	150	825
750	105	260	
500	220	550	

DEDUCT 2 FT. FOR EACH 90 ELBOW USED & 1FT FOR EVERY 4 STRAIGHT FITTINGS USED.

FOR LONGER PERMISSIBLE VACUUM LINE LENGTH, SUBSTITUTE 1-1/2\" SCHEDULE 40 PVC PIPE.

A. EACH FOOT OF 3/4\" PIPE CAN BE REPLACED WITH 14.5 FT. OF 1-1/2\" PIPE

B. EACH FOOT OF 1\" PIPE CAN BE REPLACED WITH 5.5FT. OF 1-1/2\" PIPE.

WARNING:

- * THE VENT LINE AND RELIEF LINE MUST TERMINATE IN AN AREA WHERE GAS FUMES CANNOT CAUSE DAMAGE OR INJURY TO PERSONNEL. DO NOT TERMINATE THE VENT LINE OR RELIEF LINE AT A LOCATION ROUTINELY USED BY PERSONNEL SUCH AS WORK AREAS OR PATHWAYS NOR NEAR WINDOWS OR VENTILATION SYSTEM INTAKES.

CAUTION:

- ▲ GAS WITHDRAWAL CONNECTION MUST BE MADE TO UPPER VALVE AS ILLUSTRATED.

NOTE:

- ⊗ NOT FURNISHED BY EVOQUA WATER TECHNOLOGIES
- ▣ ACCESSORY ITEM FURNISHED ONLY IF SPECIFICALLY LISTED IN QUOTATION AND AS CHECKED ON THIS DRAWING.
- UNATTENDED CHLORINE CONTAINERS AND CHLORINATION EQUIPMENT SHOULD ALWAYS BE MONITORED FOR LEAKS BY ONE OR MORE CHLORINE DETECTORS WHICH RESPOND QUICKLY TO THE PRESENCE OF CHLORINE IN AMBIENT AIR.

Wallace & Tiernan[®]

an EVOQUA brand

Germany:
+49 8221 9040
wtger@evoqua.com

United Kingdom:
+44 1732 771777
info.uk.@evoqua.com

USA:
+1 856 507 9000
wtus@evoqua.com

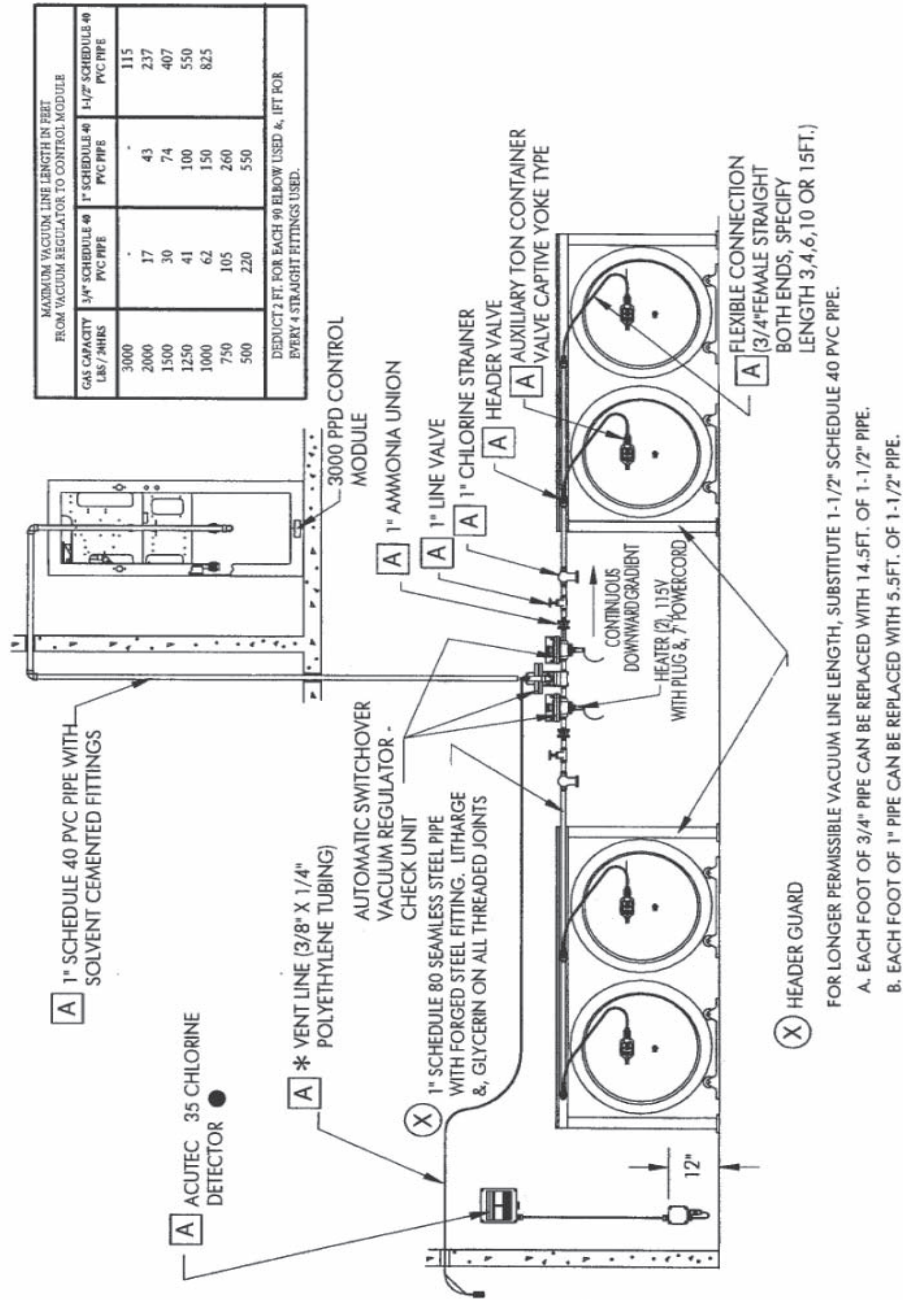
Canada:
+1 905 944 2800
canadacustomerservice
@evoqua.com

Singapore:
+65 6830 7100
infosg@evoqua.com

Australia:
+61 (0) 3 8720 6597
info.au@evoqua.com

Typical Installation
WT.025.055.210.IE.CN.0714

Series V-2000 Chlorinator 3000 PPD Arrangement - Ton Container Supply, Automatic Switchover, Vacuum Regulator Check Unit



GAS CAPACITY LBS / AHS	MAXIMUM VACUUM LINE LENGTH IN FEET FROM VACUUM REGULATOR TO CONTROL MODULE		
	3/4" SCHEDULE 40 PVC PIPE	1" SCHEDULE 40 PVC PIPE	1 1/2" SCHEDULE 40 PVC PIPE
3000	-	-	115
2000	17	43	237
1500	30	74	407
1250	41	100	550
1000	62	150	825
750	105	260	-
500	220	550	-

DEDUCT 2 FT. FOR EACH 90 ELBOW USED & 1 FT FOR EVERY 4 STRAIGHT FITTINGS USED.

FOR LONGER PERMISSIBLE VACUUM LINE LENGTH, SUBSTITUTE 1-1/2" SCHEDULE 14.5FT. OF 1-1/2" PIPE.
A. EACH FOOT OF 3/4" PIPE CAN BE REPLACED WITH 14.5FT. OF 1-1/2" PIPE.
B. EACH FOOT OF 1" PIPE CAN BE REPLACED WITH 5.5FT. OF 1-1/2" PIPE.

WARNING: * THE VENT LINE AND RELIEF LINE MUST TERMINATE IN AN AREA WHERE GAS FUMES CANNOT CAUSE DAMAGE OR INJURY TO PERSONNEL. DO NOT TERMINATE THE VENT LINE OR RELIEF LINE AT A LOCATION ROUTINELY USED BY PERSONNEL SUCH AS WORK AREAS OR PATHWAYS NOR NEAR WINDOWS OR VENTILATION SYSTEM INTAKES.

CAUTION: ▲ GAS WITHDRAWAL CONNECTION MUST BE MADE TO UPPER VALVE AS ILLUSTRATED.

NOTE: (X) NOT FURNISHED BY EVOQUA WATER TECHNOLOGIES

(A) ACCESSORY ITEM FURNISHED ONLY IF SPECIFICALLY LISTED IN QUOTATION AND AS CHECKED ON THIS DRAWING.
● UNATTENDED CHLORINE CONTAINERS AND CHLORINATION EQUIPMENT SHOULD ALWAYS BE MONITORED FOR LEAKS BY ONE OR MORE CHLORINE DETECTORS WHICH RESPOND QUICKLY TO THE PRESENCE OF CHLORINE IN AMBIENT AIR.

Wallace & Tiernan®

an EVOQUA brand

Germany:
+49 8221 9040
wtger@evoqua.com

United Kingdom:
+44 1732 771777
info.uk.@evoqua.com

USA:
+1 856 507 9000
wtus@evoqua.com

Canada:
+1 905 944 2800
canadacustomerservice@evoqua.com

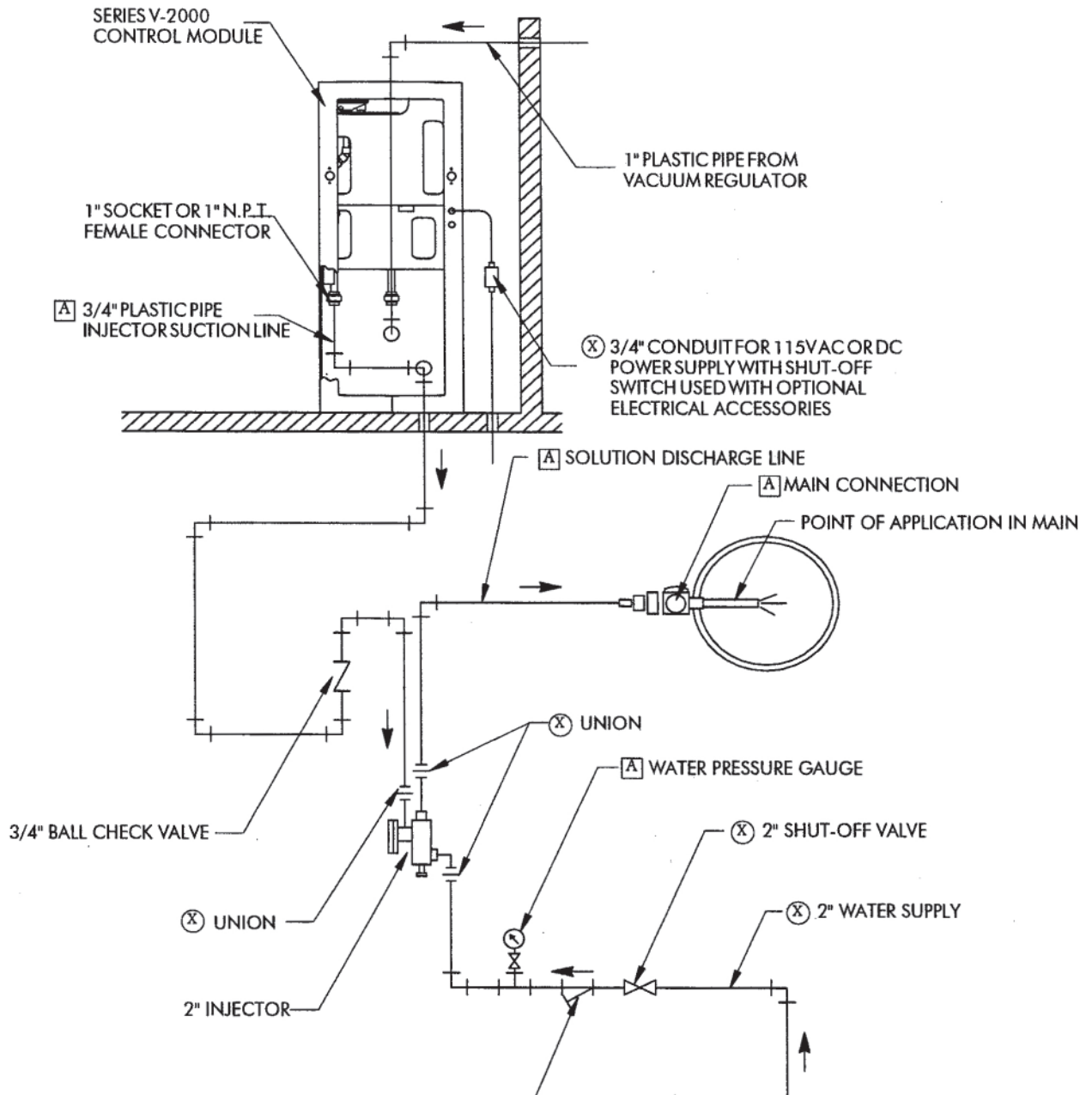
Singapore:
+65 6830 7100
infosg@evoqua.com

Australia:
+61 (0) 3 8720 6597
info.au@evoqua.com

Typical Installation
WT.025.055.212.IE.CN.0714

Series V-2000 Chlorinator

3000 PPD Arrangement



NOTE:

(X) NOT FURNISHED BY EVOQUA WATER TECHNOLOGIES

(A) ACCESSORY ITEM FURNISHED ONLY IF SPECIFICALLY LISTED IN QUOTATION AND AS CHECKED ON THIS DRAWING.

Germany:
+49 8221 9040
wtger@evoqua.com

United Kingdom:
+44 1732 771777
info.uk.@evoqua.com

USA:
+1 856 507 9000
wtus@evoqua.com

Canada:
+1 905 944 2800
canadacustomerservice@evoqua.com

Singapore:
+65 6830 7100
infosg@evoqua.com

Australia:
+61 (0) 3 8720 6597
info.au@evoqua.com

Wallace & Tiernan[®]
an EVOQUA brand

Typical Installation
WT.025.055.214.IE.CN.0714

Series V-2000 Chlorinator
10,000 PPD Arrangement

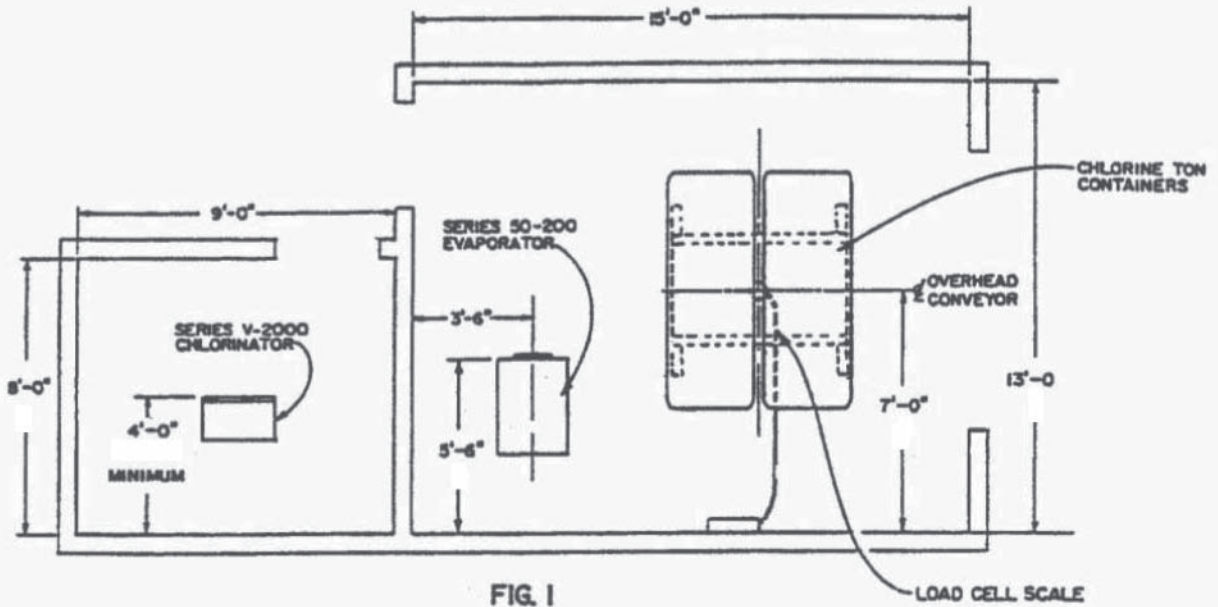


FIG. 1

FOR TYPICAL INSTALLATION
 SEE WT.025.055.218.UA.CN
 AND WT..025.055.220.UA.CN

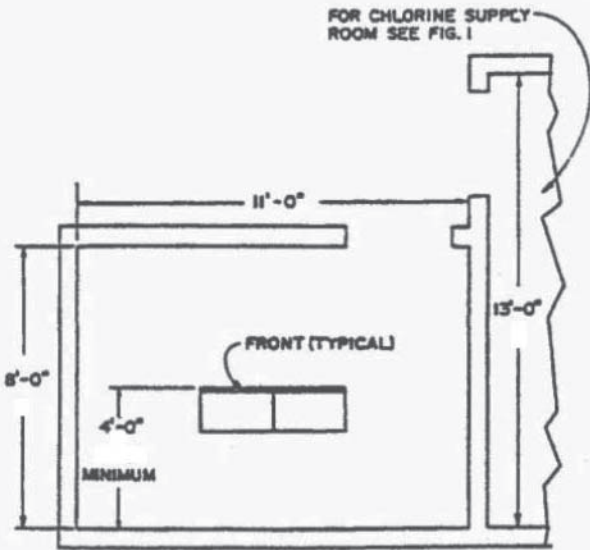


FIG. 2

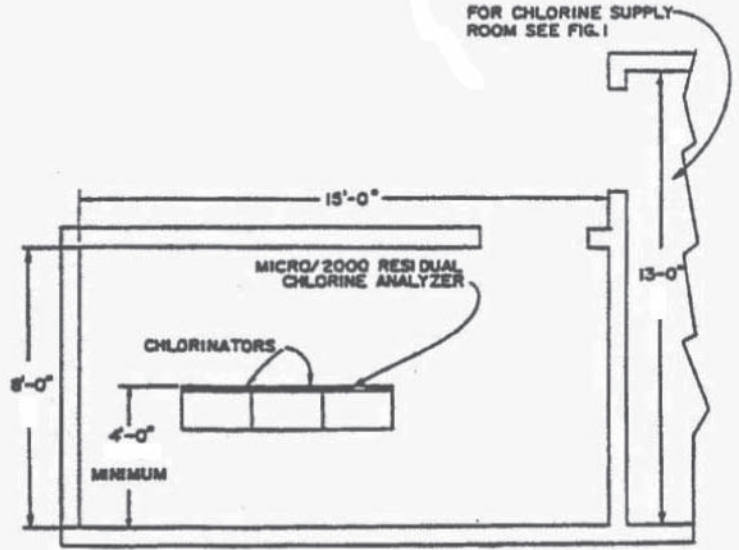


FIG. 3

Wallace & Tiernan[®]
 an EVOQUA brand

Germany:
 +49 8221 9040
 wtger@evoqua.com

United Kingdom:
 +44 1732 771777
 info.uk.@evoqua.com

USA:
 +1 856 507 9000
 wtus@evoqua.com

Canada:
 +1 905 944 2800
 canadacustomerservice
 @evoqua.com

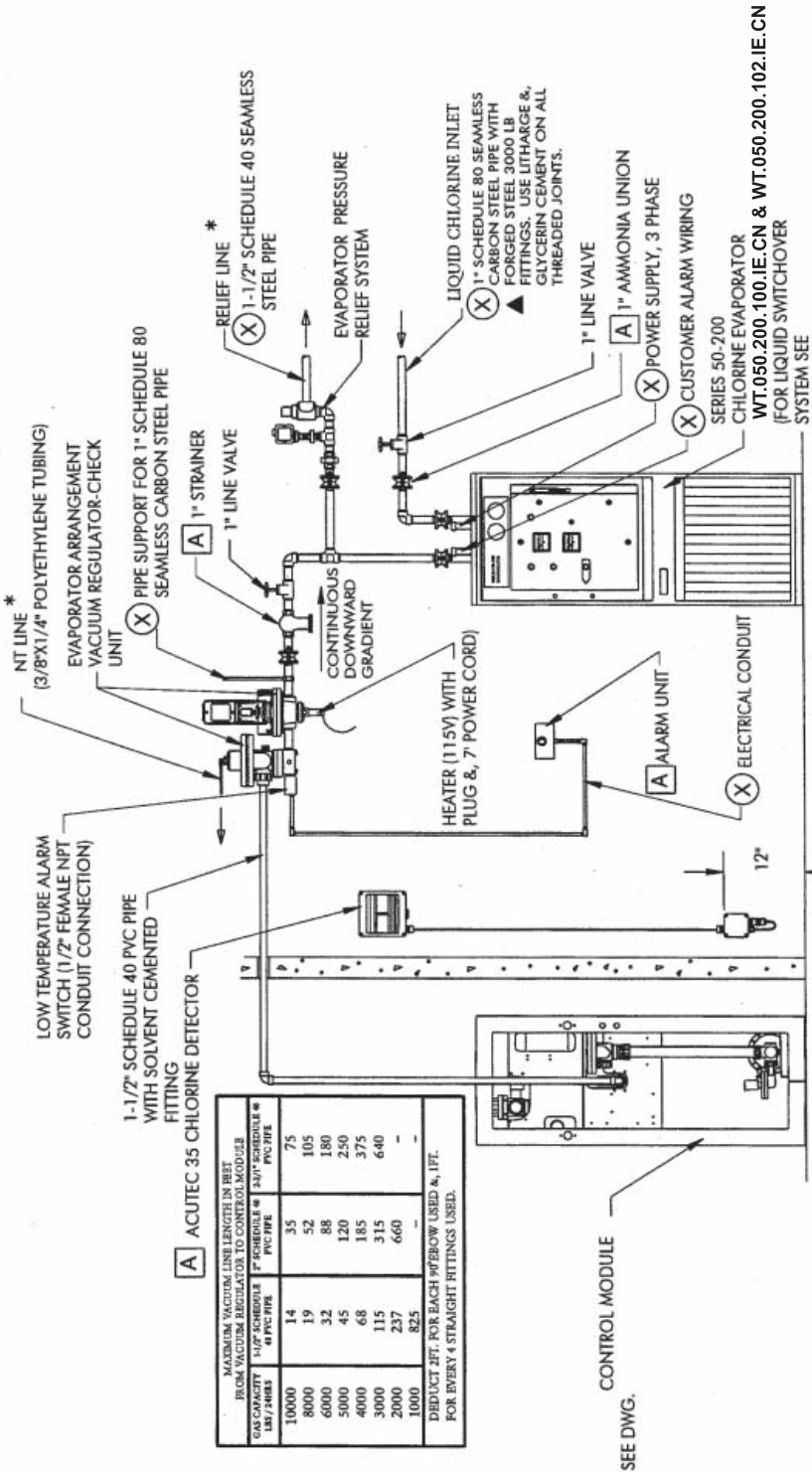
Singapore:
 +65 6830 7100
 info.sg@evoqua.com

Australia:
 +61 (0) 3 8720 6597
 info.au@evoqua.com

Typical Installation
 WT.025.055.216.IE.CN.0714

Series V-2000 Chlorinator

10,000 PPD Arrangement - Evaporator Supply



NOTE: SEE THE CHLORINE INSTITUTE'S MANUAL FOR OPERATING RECOMMENDATIONS ON LIQUID CHLORINE SUPPLIES. ALL CONDUIT CONNECTIONS MUST BE WATERTIGHT.

- (X) NOT FURNISHED BY EVOQUA WATER TECHNOLOGIES
- (A) ACCESSORY ITEM FURNISHED ONLY IF SPECIFICALLY LISTED IN QUOTATION AND AS CHECKED ON THIS DRAWING.

● UNATTENDED CHLORINE CONTAINERS AND CHLORINATION EQUIPMENT SHOULD ALWAYS BE MONITORED FOR LEAKS BY ONE OR MORE CHLORINE DETECTORS WHICH RESPOND QUICKLY TO THE PRESENCE OF CHLORINE IN AMBIENT AIR.

WARNING: * THE RELIEF LINE AND THE VENT LINE MUST TERMINATE IN AN AREA WHERE GAS FUMES CANNOT CAUSE DAMAGE OR INJURY TO PERSONNEL. DO NOT TERMINATE THE RELIEF LINE OR THE VENT LINE AT A LOCATION ROUTINELY USED BY PERSONNEL SUCH AS WORK AREAS OR PATHWAYS NOR NEAR WINDOWS OR VENTILATION SYSTEM INTAKES.

Wallace & Tiernan®

an EVOQUA brand

Germany:
+49 8221 9040
wtger@evoqua.com

United Kingdom:
+44 1732 771777
info.uk.@evoqua.com

USA:
+1 856 507 9000
wtus@evoqua.com

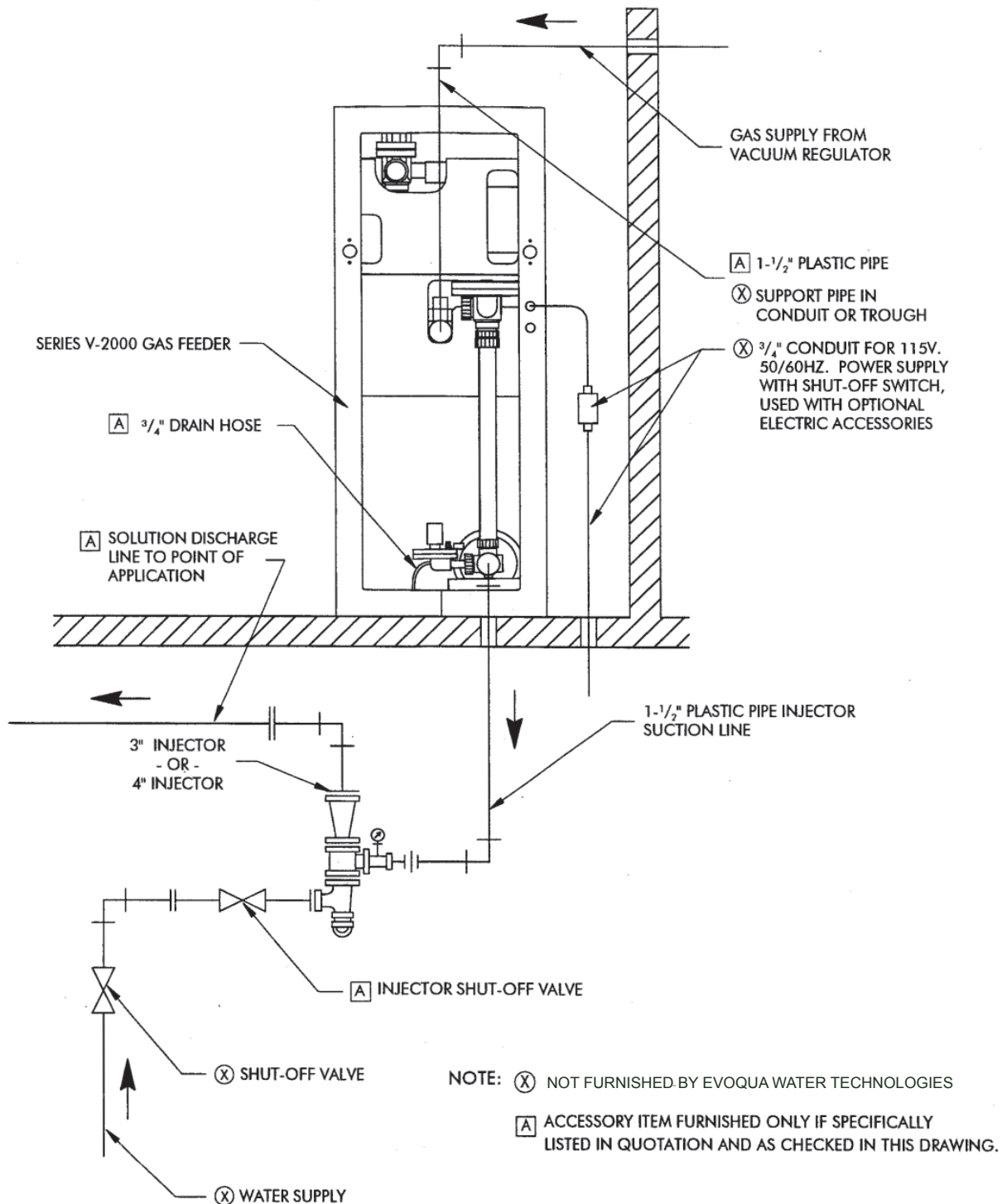
Canada:
+1 905 944 2800
canadacustomerservice@evoqua.com

Singapore:
+65 6830 7100
infosg@evoqua.com

Australia:
+61 (0) 3 8720 6597
info.au@evoqua.com

Typical Installation
WT.025.055.218.IE.CN.0714

Series V-2000 Chlorinator 10,000 PPD Arrangement



Wallace & Tiernan[®]

an EVOQUA brand

Germany:
 +49 8221 9040
 wtger@evoqua.com

United Kingdom:
 +44 1732 771777
 info.uk.@evoqua.com

USA:
 +1 856 507 9000
 wtus@evoqua.com

Canada:
 +1 905 944 2800
 canadacustomerservice
 @evoqua.com

Singapore:
 +65 6830 7100
 info.sg@evoqua.com

Australia:
 +61 (0) 3 8720 6597
 info.au@evoqua.com

Typical Installation
 WT.025.055.220.IE.CN.0714