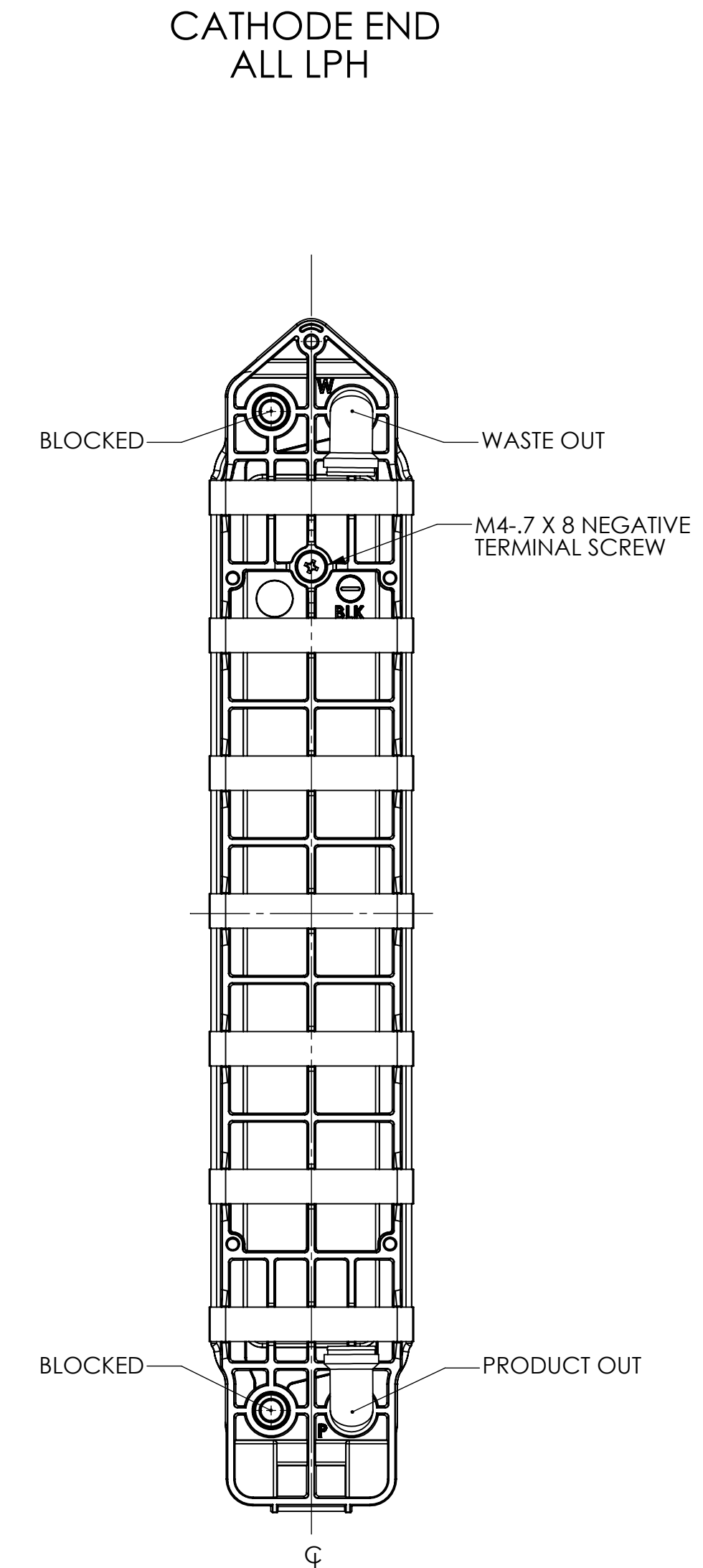
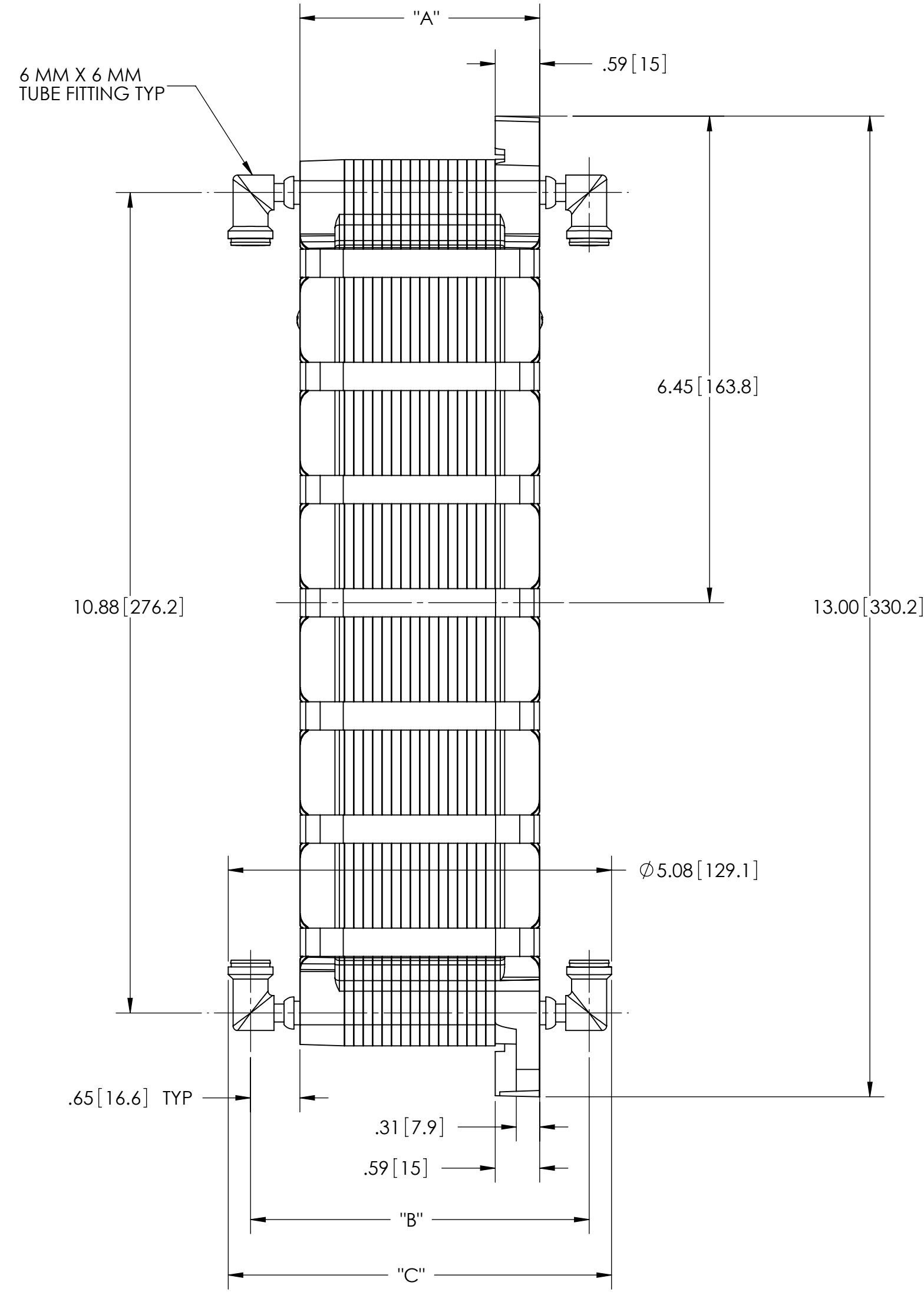
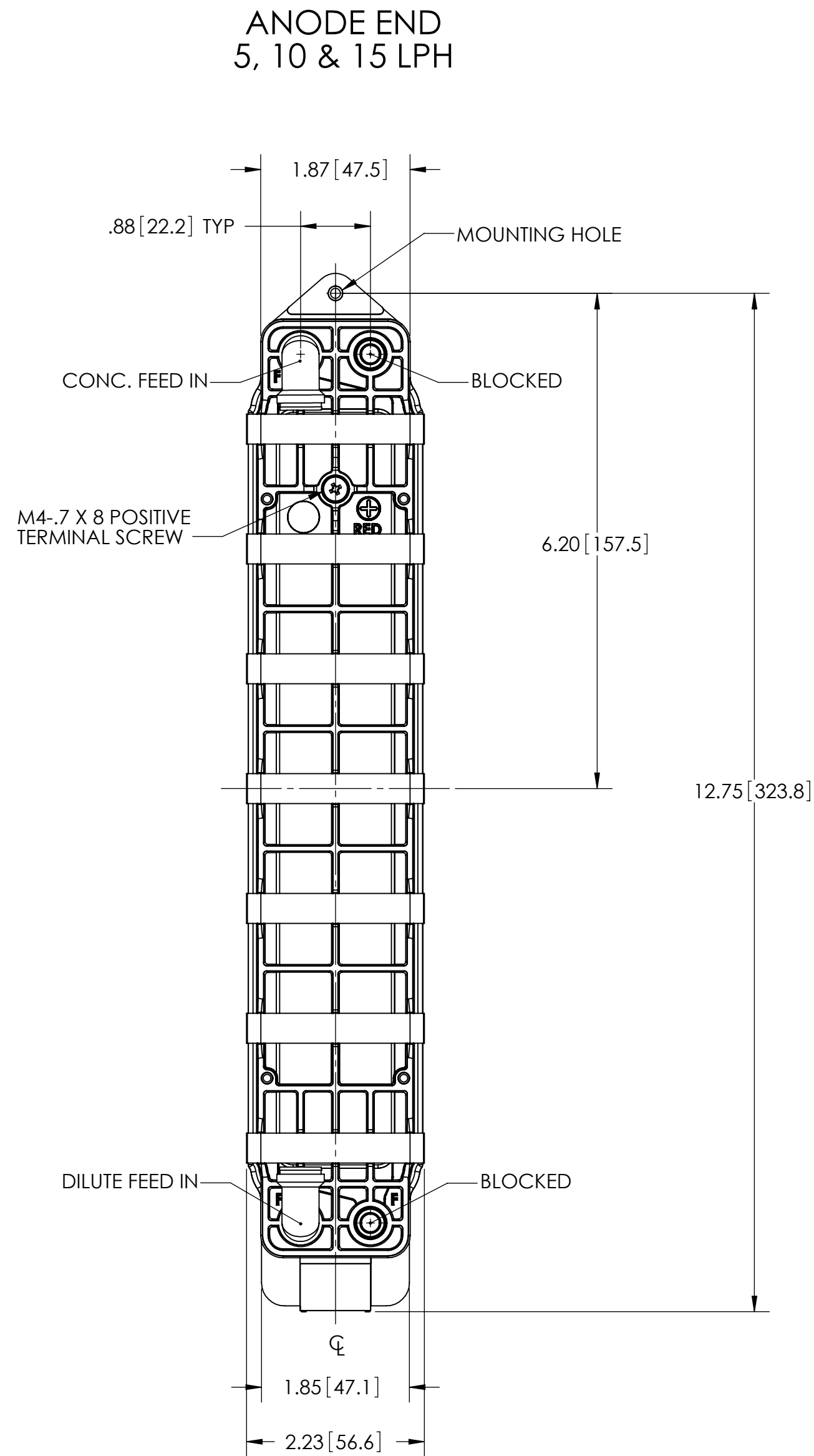
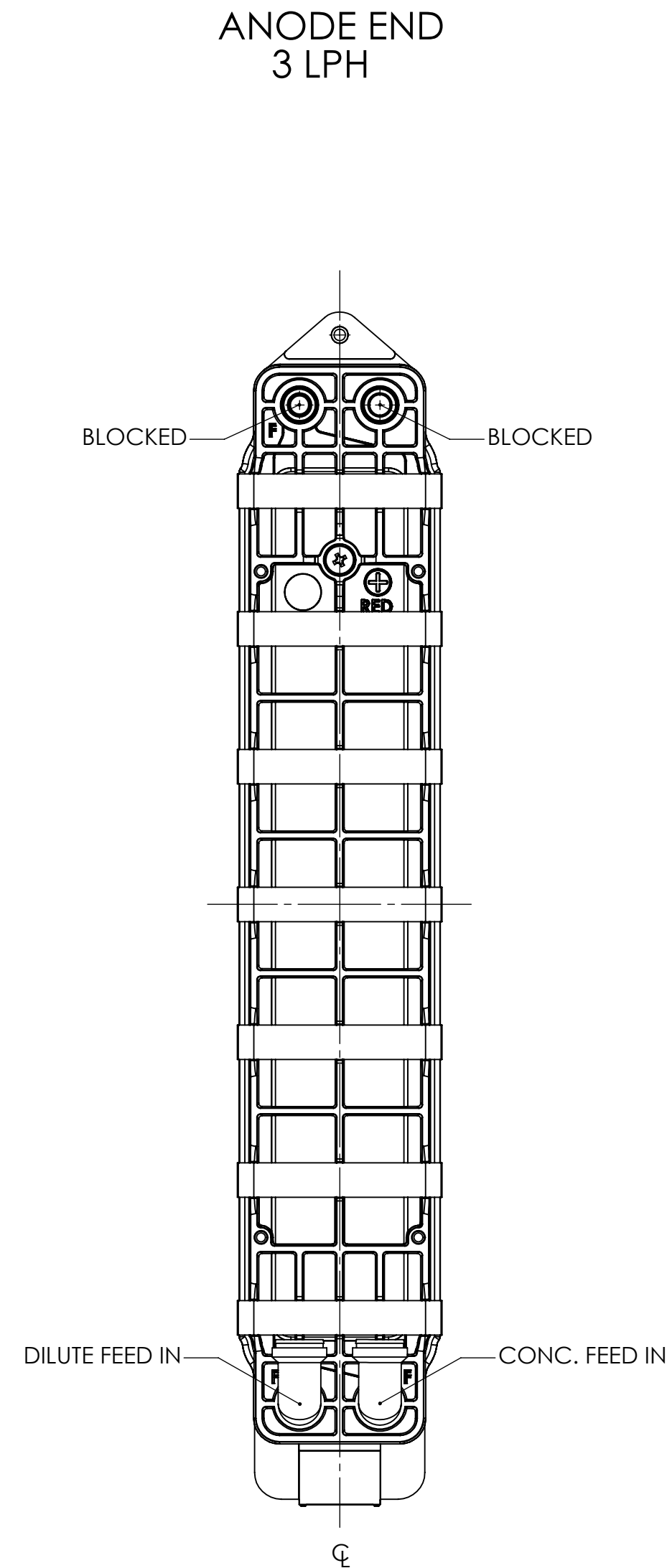
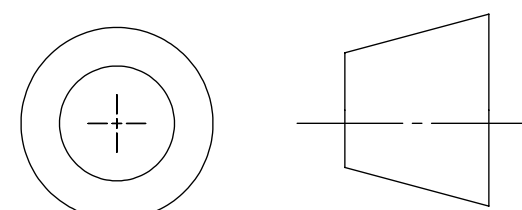
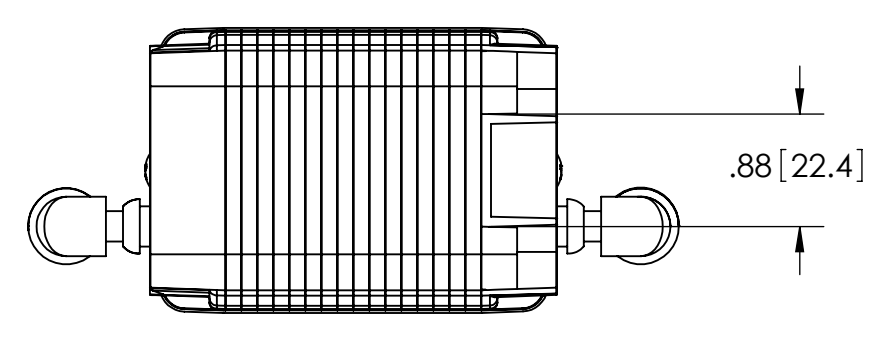


8 7 6 5 4 3 2 1



- NOTES:
 1. ASSUME SYMMETRY TO CENTERLINES UNLESS OTHERWISE NOTED
 2. ELECTRICAL CONNECTION VIA PROVIDED 2-PIN FEMALE CONNECTOR

SAP #	MODULE	DIMENSIONS (IN) [MM]			WEIGHT (LB) [KG]
		A	B	C	
W3T101571	IP-LABXT 3	2.18 [55.4]	3.49 [88.6]	4.08 [103.6]	2.3 [1.04]
W3T101572	IP-LABXT 5	2.68 [68.1]	3.99 [101.3]	4.58 [116.3]	2.8 [1.27]
W3T101573	IP-LABXT 10	3.18 [80.8]	4.49 [114.0]	5.08 [129.0]	3.3 [1.50]
W3T262701	IP-LABXT 15	4.18 [106.2]	5.49 [139.4]	6.08 [154.4]	4.3 [1.95]



THIRD ANGLE PROJECTION

STD: BORDER-0106-22X34D

INTL REF: INTR_REF_NO

PRINT NOT TO SCALE

REV	DESCRIPTION	DATE	BY	CHKD	APPV	ECN
R3	ADDED 15 LPH VERSION. UPDATED TO EVOQUA BLOCK	07/14/14	JCT	NAA		
R2	REVISED PRODUCT ID, ADDED DIM "C" & WEIGHT DATA	01/21/10	LJS	JCT		
R1	INITIAL RELEASE	11/03/09	LJS	JCT		
REV	PRINT NOT TO SCALE	DATE	DWN	APVD	ECN	

ALL DIMENSIONS ARE IN INCHES OR DEGREES UNLESS OTHERWISE SHOWN. ALL DISTANCE TOLERANCES UNLESS OTHERWISE SHOWN ARE: XX ±0.1, X.XX ±0.01, XXXX ±0.05. ALL ANGLE TOLERANCES UNLESS OTHERWISE SHOWN ARE X ±1°, XX ±0.1°.

COMPANY CONFIDENTIAL
 DOCUMENT AND ALL INFORMATION CONTAINED HEREIN ARE THE PROPERTY OF EVOQUA AND/OR ITS AFFILIATES. THE DESIGN CONCEPTS AND INFORMATION CONTAINED HEREIN ARE PROPRIETARY TO EVOQUA AND ARE SUBMITTED IN CONFIDENCE. THEY ARE NOT TRANSFERABLE AND MUST BE USED ONLY FOR THE PURPOSE FOR WHICH THE DOCUMENT IS EXPRESSLY LOANED. THEY MUST NOT BE DISCLOSED, REPRODUCED, LOANED OR USED IN ANY OTHER MANNER WITHOUT THE EXPRESS WRITTEN CONSENT OF EVOQUA. IN NO EVENT SHALL THE INTEREST OF EVOQUA, ALL PATENT RIGHTS ARE RESERVED, UPON THE DEMAND OF EVOQUA, THIS DOCUMENT, ALONG WITH ALL COPIES AND EXTRACTS, AND ALL RELATED NOTES AND ANALYSES, MUST BE RETURNED TO EVOQUA OR DESTROYED, AS INSTRUCTED BY EVOQUA. ACCEPTANCE OF THE DELIVERY OF THIS DOCUMENT CONSTITUTES AGREEMENT TO THESE TERMS.

DESIGNER	DATE
SALVO	11/03/09
CHECKER	DATE
ENGINEER	DATE
MANAGER	DATE

TITLE	
LABXT MODULE LAYOUT AND ELEVATION 3.5, 10, AND 15 LPH VERSIONS	
CLIENT	
EVOQUA IONPURE PRODUCTS WATER TECHNOLOGIES LOWELL, MA	
PROJECT	SAP NUMBER
	VARRIED
DRAWING	SHEET
R2905R3	1 OF 1
REV	REV
	R3

SCALE: 1:1