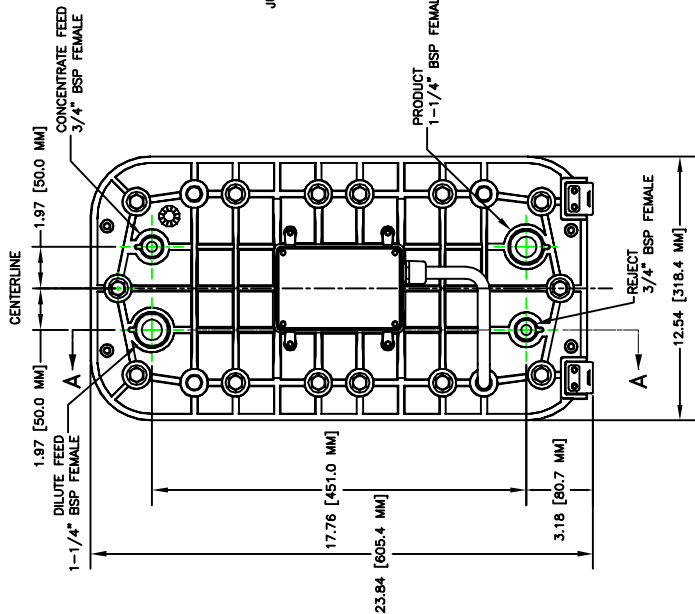
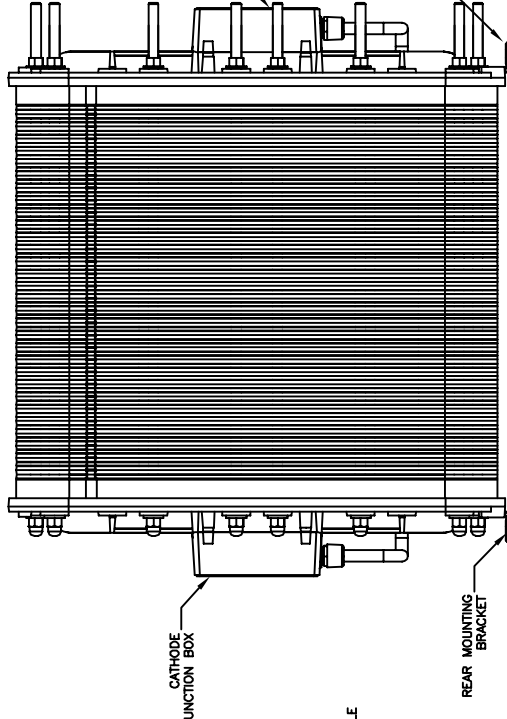


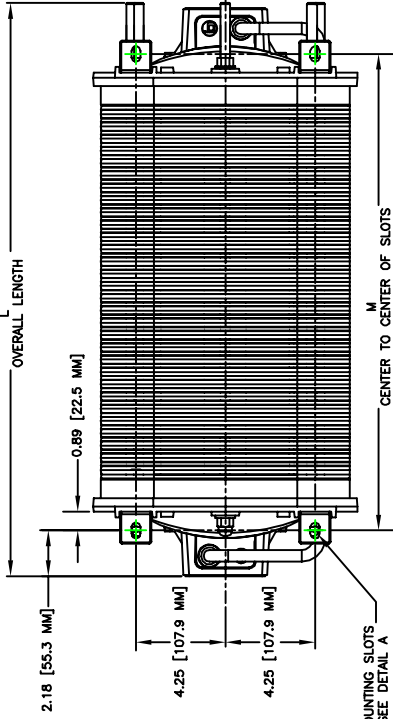
REV	DATE	DESCRIPTION	BY	CHK
A	04-21-04	INITIAL DESIGN		DK
B	04-21-04	REVISED AS CELL		DK
C	04-21-04	REVISED "L" DIMENSION + TOLERANCE FOR NEW TIEBAR LENGTH		DK
D	04-21-04			DK



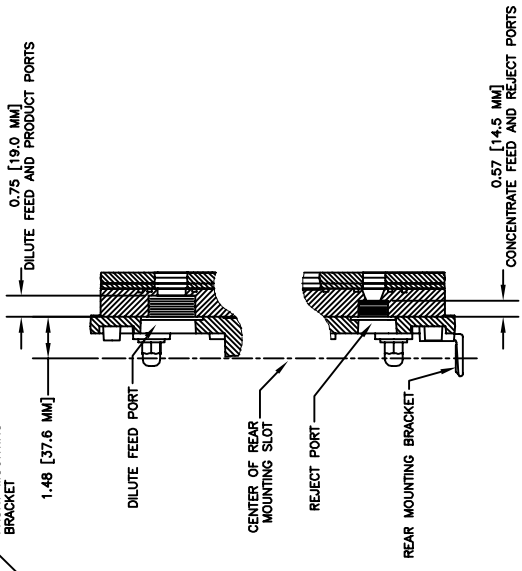
REAR VIEW
SHOWING LOCATION OF PIPING CONNECTIONS



SIDE VIEW



BOTTOM VIEW
SHOWING LOCATION OF MOUNTING SLOTS



SECTION A-A

SHOWING CROSS-SECTION OF DILUTE AND CONCENTRATE PORTS
SCALE: 1=3

MODULE	L ± .25 [6.4MM]	M ± .13 [3.2MM]
IP-LXM4HI-3	11.81 [300.0MM]	7.47 [189.7MM]
IP-LXM10HI-3	15.29 [388.6MM]	10.96 [278.3MM]
IP-LXM18HI-3	19.81 [505.7MM]	15.62 [396.7MM]
IP-LXM24HI-3	23.38 [593.9MM]	19.12 [485.0MM]
IP-LXM30HI-3	27.42 [696.5MM]	22.61 [574.2MM]
IP-LXM45HI-3	35.72 [907.3MM]	31.13 [790.7MM]

UNLESS OTHERWISE SPECIFIED
ALL DIMENSIONS ARE IN INCH AND
TOLERANCES INCH XX.XX
MM XX.XX
ANGLES 45°
SURFACE ROUGHNESS 63
3D NET SCALE PRINT

REV	DATE	DESCRIPTION	BY	CHK
A	04-21-04	LAYOUT AND ELEVATION		DK
B	04-21-04	LAYOUT		DK
C	04-21-04	LAYOUT		DK
D	04-21-04	LAYOUT		DK

- NOTES:
1. ALL DIMENSIONS ARE IN INCHES [MM]
 2. ELECTRICAL CONNECTIONS TO THE DC POWER SUPPLY CAN BE MADE TO EITHER THE ANODE OR THE CATHODE JUNCTION BOX.
 3. LENGTH "L" MAYBE TO END OF TIEBAR OR JUNCTIONBOX AT ANODE END DEPENDING ON MODULE CONFIGURATION.

IONPURE
SARASOTA, FLORIDA, USA
(888) 888-8888
IP-LXM4HI-3 1 OF 1