

APPENDIX VI

PROCESS FLOW DIAGRAMS AND PIPING AND
INSTRUMENTATION DIAGRAMS

FOR

SIEMENS INDUSTRY, INC.

PARKER REACTIVATION FACILITY

PARKER, ARIZONA

Revision 1
April 2012

TABLE OF CONTENTS

<u>DRAWING NO.</u>	<u>DESCRIPTION</u>
PC-1466-PR-003	Vapor Phase Carbon Process Flow Diagram Balance for RF-2
PC-1466-PR-004	Liquid Phase Carbon Process Flow Diagram Balance for RF-2
D11135-200	Reactivation Facility Legend & Speciality Items Piping & Instrumentation Diagram
D11135-201	Reactivation Facility Spent Carbon Storage / H-1 Piping & Instrumentation Diagram
D11135-202	Reactivation Facility Spent Carbon Storage / H-2 Piping & Instrumentation Diagram
D11135-203	Reactivation Facility Recycle Water Piping & Instrumentation Diagram
D11135-205	Reactivation Facility Process Water Discharge to POTW Piping & Instrumentation Diagram
D11135-210	Reactivation Facility Reactivated Carbon Storage Piping & Instrumentation Diagram
D11135-211	Reactivation Facility Utilities – NG – PW - STM Piping & Instrumentation Diagram
D11135-212	Reactivation Facility Utilities – Compressed Air Piping & Instrumentation Diagram
D11135-213	Reactivation Facility Furnace #2 Feed System Piping & Instrumentation Diagram
D11135-214	Reactivation Reactivation Furnace #2 Piping & Instrumentation Diagram
D11135-215	Reactivation Furnace #2 Product Handling Piping & Instrumentation Diagram
D11135-216	Reactivation Facility Furnace #2 Off Gas Scrubber Piping & Instrumentation Diagram

- D11135-217 Reactivation Facility Furnace #2 Precipitator & Exhaust Piping & Instrumentation Diagram
- D11135-218 Reactivation Facility Product Handling System Piping & Instrumentation Diagram

INSTRUMENT I.D. LETTERS

LETTER	VARIABLE TYPES	FUNCTION CODES
A	ANALYSIS	ALARM
B	BURNER FLAME	BYPASS
C		CONTROLLER
D		DIFFERENTIAL
E	VOLTAGE	ELEMENT (PRIMARY)
F	FLUID	RATIO (FRACTION)
G	GAUGING DIMENSIONS)	GLASS/GAUGE
H	HAND ACTUATED	HIGH
I	CURRENT	INDICATOR
J	POWER (WATTS)	MULTIPOINT STAND
K	TIME	CONTROL STATION
L	LEVEL	LIGHT/LDW
M		MIDDLE
N		
O		DRIFTC (RESTRICTION)
P	PRESSURE/VACUUM	POINT
Q	QUANTITY/NUMBER	TOTALIZER
R	RUN	RECORDER
S	SPEED/FREQUENCY	SAFETY/SWITCH
T	TEMPERATURE	TRANSMITTER
U	MULTIVARIABLE	HALFUNCTION
V	VIBRATION	VALVE
W	WEIGHT	WELL
X	UNCLASSIFIED	SHUTDOWN/INTERLOCK
Y	EVENT	RELAY
Z	POSITION	DRIVE/ACTUATE

PARKER PERMIT APPLICATION
DRAWING INDEX

- D11135-200 - LEGEND & SPECIALTY ITEMS
- D11135-201 - SPENT CARBON STORAGE / H-1
- D11135-202 - SPENT CARBON STORAGE / H-2
- D11135-203 - RECYCLE WATER
- D11135-205 - PROCESS WATER DISCHARGE TO POTW
- D11135-211 - UTILITIES - PV - NG - STM
- D11135-213 - FURNACE # 2 FEED SYSTEM
- D11135-214 - REACTIVATION FURNACE # 2
- D11135-215 - FURNACE # 2 PRODUCT HANDLING SYSTEM
- D11135-216 - FURNACE # 2 DPF GAS SCRUBBER
- D11135-217 - FURNACE # 2 PROCESS WATER

INSTRUMENT SYMBOLS

- = PLC I/O
- = OPERATOR INTERFACE
- = INSTRUMENT HARDWIRED SIGNAL
- = INSTRUMENT SOFTWARE INTERCONNECT
- = INSTRUMENT PNEUMATIC SIGNAL
- = INTERLOCK IDENTIFIER
- = FIELD INSTRUMENT
- = PANEL INSTRUMENT ACCESSIBLE TO OPERATOR
- = PANEL INSTRUMENT NOT NORMALLY ACCESSIBLE TO OPERATOR

NOTE:
THIS DRAWING INCLUDES COMPONENTS OF THE FACILITY THAT ARE EXEMPT FROM PERMITTING UNDER VARIOUS PROVISIONS OF RORA. DATA RELATED TO THESE COMPONENTS IS PROVIDED FOR INFORMATIONAL PURPOSES AND EASE OF REVIEW ONLY, AND THEY ARE NOT INTENDED TO BECOME REGULATED COMPONENTS OF THE HAZARDOUS WASTE FACILITY.

REV.	DATE	DESCRIPTION	DRAWN	CHK'D	ENGR
5	3/15/12	NAME CHANGED TO SIEMENS INDUSTRY, INC.	JBE	KEM	
4	2/22/07	UPDATED FOR PERMIT SUBMITTAL	JBE	KEM	
3	7/17/02	REVISED FOR RORA PART B PERMIT APPLICATION	STA	KEM	
2	7/17/96	AS BUILT	CHJ		
1	3/27/96	GENERAL REVISIONS	ALL	KEM	
REV.	DATE	REVISION DESCRIPTION	DRAWN	CHK'D	ENGR

CUSTOMER: **SIEMENS INDUSTRY, INC.**

LOCATION: **2523 MUTAHAR ST. PARKER, AZ 85344**

TITLE: **REACTIVATION FACILITY LEGEND & SPECIALTY ITEMS PIPING & INSTRUMENTATION DIAGRAM**

PROJECT No. 11135

DRAWN: AAL 1/02/96

CHK'D: KEM 1/02/96

ENGR: []

PART No. []

DWG No. **D11135-200** REV. **5**

PLT SCALE: NONE

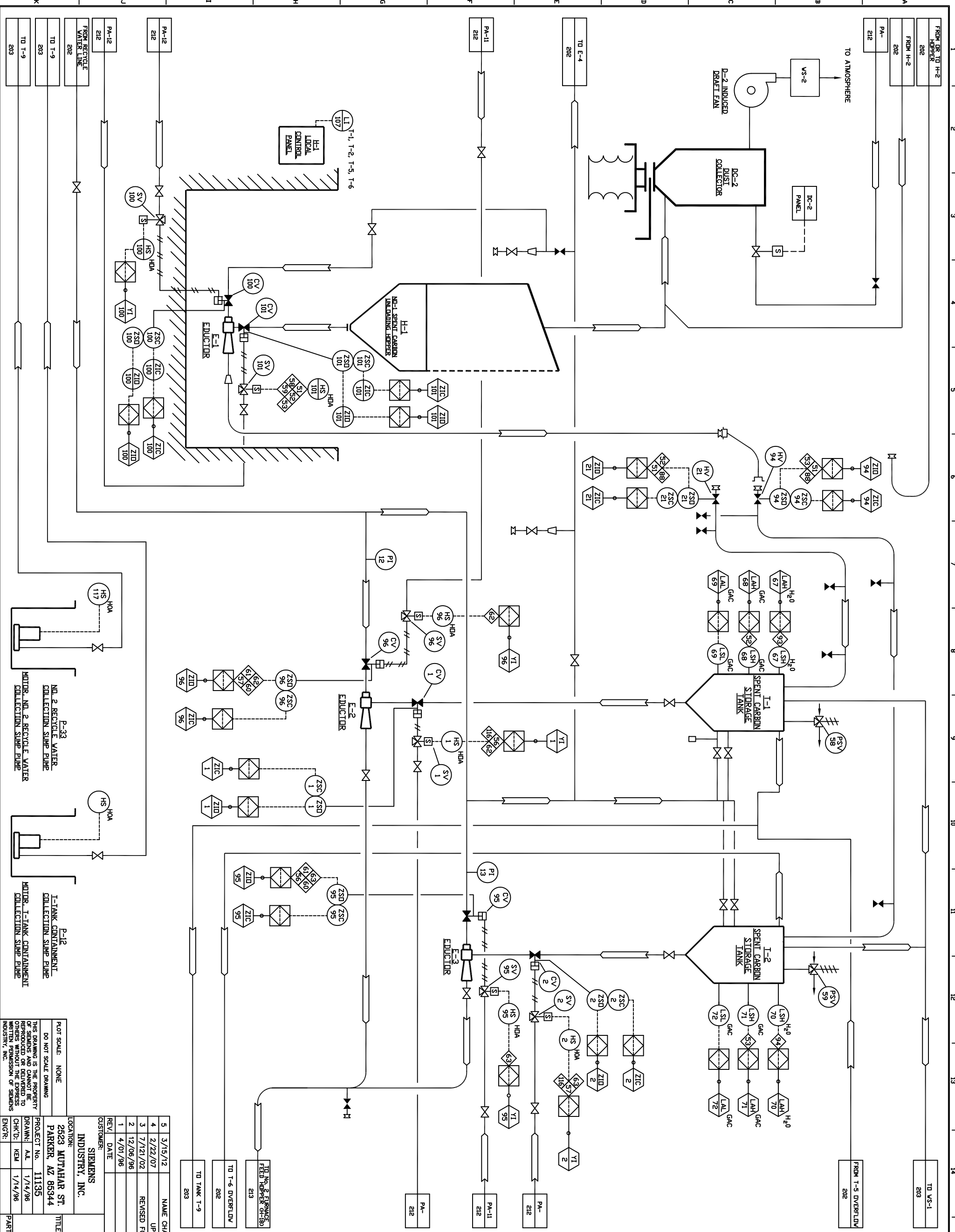
DO NOT SCALE DRAWING

THIS DRAWING IS THE PROPERTY OF SIEMENS AND SHALL NOT BE REPRODUCED OR DELIVERED TO OTHERS WITHOUT THE EXPRESS WRITTEN PERMISSION OF SIEMENS INDUSTRY, INC.

INTERLOCK NOTES

- 51 = TRANSFER FROM H-1 TO T-1, 2, 5, OR 6; EITHER HV-21, HV-94, HV-33, OR HV-23 MUST BE OPEN FOR CV-101 TO OPEN.
- 52 = SLURRY TRANSFER FROM H-1 OR H-2 TO T-1 IS PREVENTED IF CARBON LEVEL REACHES LSH-68.
- 53 = SLURRY TRANSFER FROM H-1 OR H-2 TO T-2 IS PREVENTED IF CARBON LEVEL REACHES LSH-71.
- 54 = PREVENTION OF DOUBLE SLURRY FROM T-1: CV-1 WILL BE HELD SHUT IF CV-95, CV-24, OR CV-97 ARE OPEN.
- 57 = PREVENTION OF DOUBLE SLURRY FROM T-2: CV-2 WILL BE HELD SHUT IF CV-96, CV-24, OR CV-97 ARE OPEN.
- 58 = SEE NOTE ON DWG. 202
- 59 = SEE NOTE ON DWG. 202
- 60 = SEE NOTE ON DWG. 202
- 61 = SEE NOTE ON DWG. 202
- 68 = SEE NOTE ON DWG. 202.
- 119 = SEE NOTE ON DWG. 213.

NOTE:
 THIS DRAWING INCLUDES COMPONENTS OF THE FACILITY THAT ARE EXEMPT FROM PERMITTING UNDER HAZARDOUS WASTE REGULATIONS. THESE REGULATIONS REQUIRE THAT THE FACILITY COMPONENTS BE REVIEWED FOR INFORMATIONAL PURPOSES AND EASE OF REVIEW ONLY, AND THEY ARE NOT INTENDED TO BECOME REGULATED COMPONENTS OF THE HAZARDOUS WASTE FACILITY.

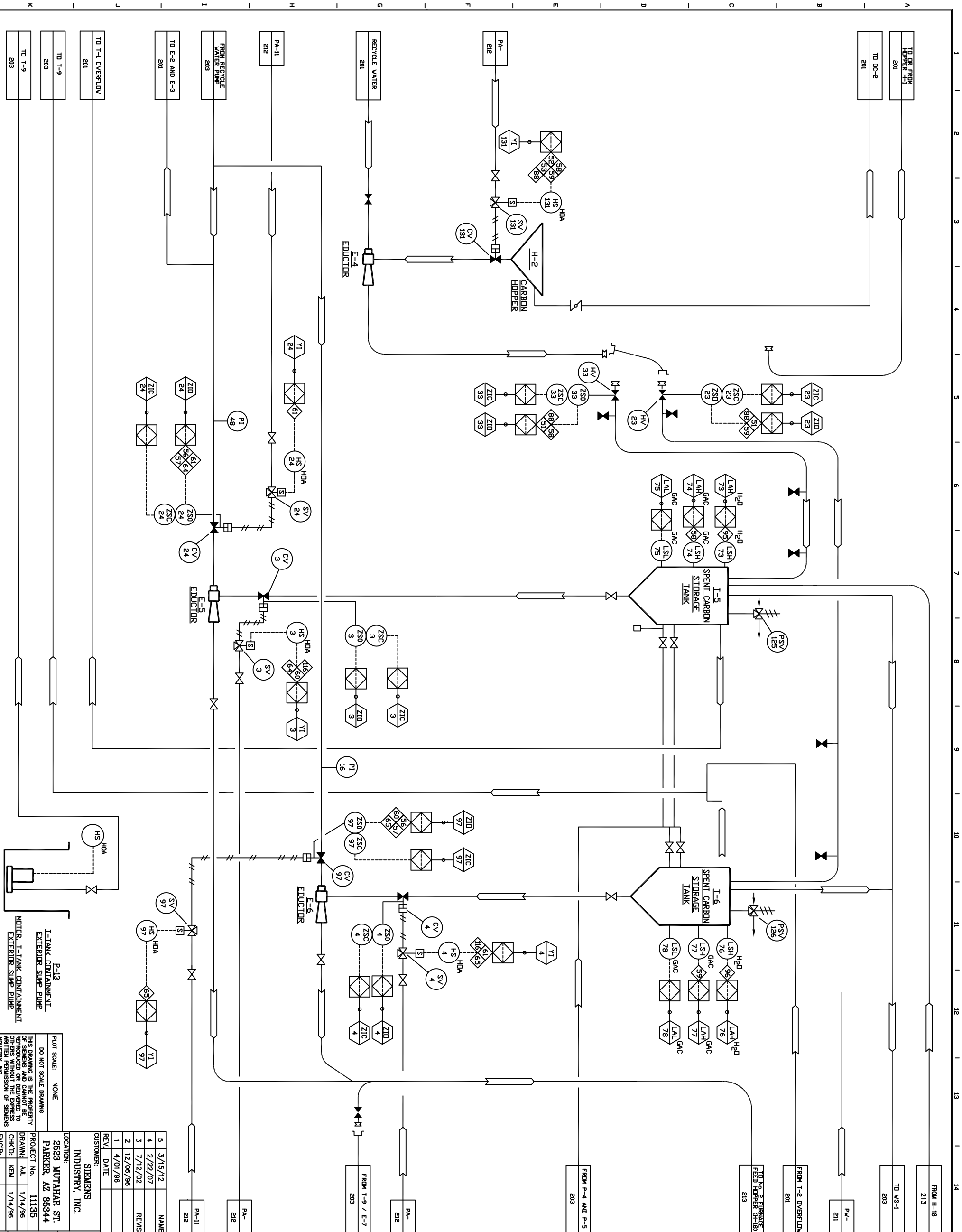


5	3/15/12	NAME CHANGED TO SIEMENS INDUSTRY, INC.	JBE	KEM
4	2/22/07	UPDATED FOR PERMIT SUBMITTAL	JBE	KEM
3	7/12/02	REVISED FOR RCRA PART B PERMIT APPLICATION	STA	KEM
2	12/06/96	AS BUILT	TGB	KEM
1	4/01/96	GENERAL REVISIONS	A.L.	KEM
REV	DATE	REVISION DESCRIPTION	DRAWN	CHK'D
CUSTOMER: SIEMENS INDUSTRY, INC.				
LOCATION: 2523 MUTAHAR ST. PARKER, AZ 85344				
PROJECT No. 11135				
DRAWN: A.L. 1/14/96				
CHK'D: KEM 1/14/96				
ENGR: [blank]				
TITLE: REACTIVATION FACILITY H-1 SPENT CARBON STORAGE / PIPING & INSTRUMENTATION DIAGRAM				
PART No. [blank]				
DWG No. D11135-201				
REV. 5				

INTERLOCK NOTES

- 51) = SEE NOTE ON DWG. 201
- 52) = SEE NOTE ON DWG. 201
- 53) = SEE NOTE ON DWG. 201
- 56) = SEE NOTE ON DWG. 201
- 57) = SEE NOTE ON DWG. 201
- 58) = SLURRY TRANSFER FROM H-1 OR H-2 TO T-5 IS PREVENTED IF CARBON LEVEL REACHES LSH-74.
- 59) = SLURRY TRANSFER FROM H-1 OR H-2 TO T-6 IS PREVENTED IF CARBON LEVEL REACHES LSH-77.
- 60) = PREVENTION OF DOUBLE SLURRY FROM T-5; CV-3 WILL BE HELD SHUT IF CV-95, CV-96, OR CV-97 ARE OPEN.
- 61) = PREVENTION OF DOUBLE SLURRY FROM T-6; CV-4 WILL BE HELD SHUT IF CV-95, CV-96, OR CV-24 ARE OPEN.
- 68) = TRANSFER FROM H-2 TO T-1, 2, 5, OR 6; EITHER HV-21, HV-94, HV-33, OR HV-23 MUST BE OPEN FOR CV-131 TO OPEN.
- 118) = SEE NOTE ON DWG. 213.

NOTE:
 THIS DRAWING INCLUDES COMPONENTS OF THE FACILITY THAT ARE EXEMPT FROM PERMITTING UNDER VARIOUS PROVISIONS OF RCRA. DATA RELATED TO THESE COMPONENTS IS PROVIDED FOR INFORMATIONAL PURPOSES AND ENGINEERING, OPERATION, AND MAINTENANCE TO BECOME REGULATED COMPONENTS OF THE HAZARDOUS WASTE FACILITY.



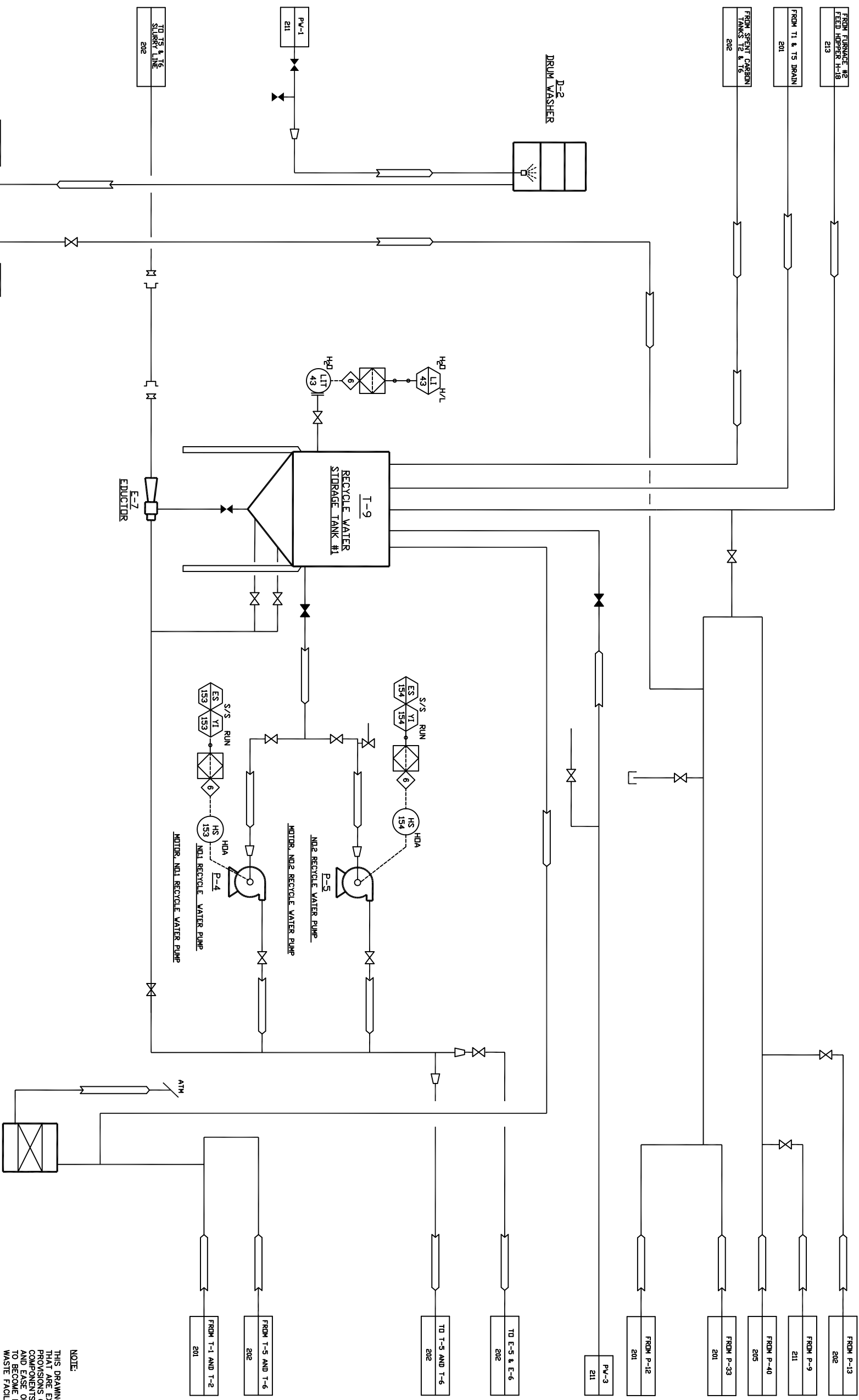
P-13
 I-TANK CONTAINMENT
 EXTERIOR SLIMP PUMP
 MOTOR, I-TANK CONTAINMENT
 EXTERIOR SLIMP PUMP

Plot Scale: NONE
 Do Not Scale Drawing
 This Drawing is the Property of Siemens and is Not to be Reproduced or Delivered to Others Without the Express Written Permission of Siemens Industry, Inc.

5	3/15/12	NAME CHANGED TO SIEMENS INDUSTRY, INC.	JBE	KEM
4	2/22/07	UPDATED FOR PERMIT SUBMITTAL	JBE	KEM
3	7/12/02	REVISED FOR RCRA PART B PERMIT APPLICATION	STA	KEM
2	12/06/96	AS BUILT	TGB	
1	4/01/96	GENERAL REVISIONS	A.L.	KEM
REV.	DATE	REVISION DESCRIPTION	DRAWN	CHK'D
CUSTOMER: SIEMENS INDUSTRY, INC.				
LOCATION: 2523 MUTAHAR ST. PARKER, AZ 85344				
PROJECT No. 11135				
DRAWN: A.L. 1/14/96				
CHK'D: KEM 1/14/96				
ENGR: KEM				
TITLE: SIEMENS INDUSTRY, INC. Parker, AZ				
REACTIVATION FACILITY SPENT CARBON STORAGE / H-2 PIPING & INSTRUMENTATION DIAGRAM				
PART No.	DWG No. D1135-202	REV. 5		

INTERLOCK NOTES

◊ = RECYCLE WATER PUMPS P-4 AND P-5 WILL STOP WHEN LEVEL IN T-9 IS LESS THAN 10% (12 INCHES).



NOTE:
 THIS DRAWING INCLUDES COMPONENTS OF THE FACILITY THAT ARE EXEMPT FROM PERMITTING UNDER VARIOUS PROVISIONS OF RCRA. DATA RELATED TO THESE COMPONENTS IS PROVIDED FOR INFORMATIONAL PURPOSES AND EASE OF REVIEW ONLY, AND THEY ARE NOT INTENDED TO BECOME REGULATED COMPONENTS OF THE HAZARDOUS WASTE FACILITY.

REV.	DATE	REVISION DESCRIPTION	DRAWN	CHK'D	ENGR
5	3/15/12	NAME CHANGED TO SIEMENS INDUSTRY, INC.	JBE	KEM	
4	2/22/07	UPDATED FOR PERMIT SUBMITTAL	JBE	KEM	
3	7/16/02	REVISED FOR RCRA PART B PERMIT APPLICATION AS BUILT	STA	KEM	
2	12/06/96	GENERAL REVISIONS	TGB		
1	4/02/96	GENERAL REVISIONS	ALL	KEM	

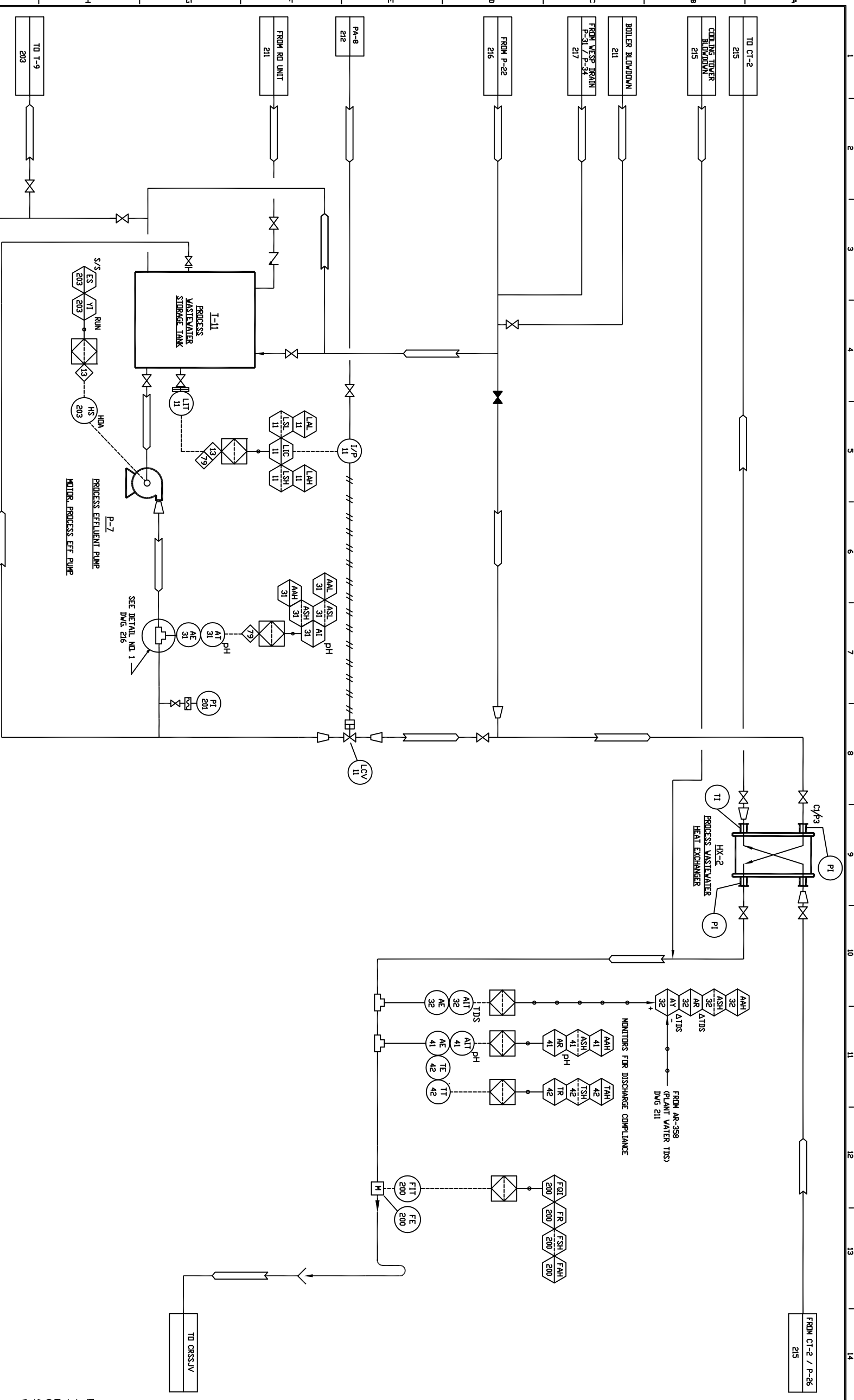
CUSTOMER: SIEMENS INDUSTRY, INC.
LOCATION: 2523 MUTAHAR ST. PARKER, AZ 85344

TITLE: REACTIVATION FACILITY RECYCLE WATER PIPING & INSTRUMENTATION DIAGRAM

PROJECT No.	11135	PART No.	D11135-203
DRAWN:	ALL	DWG No.	D11135-203
CHK'D:	KEM	REV 5	
ENGR:			

INTERLOCK NOTES

- ⑬ = WHEN LEVEL IN TANK T-11 REACHES ONE FOOT, PUMP P-7 WILL SHUT-OFF.
- ⑬ = PH OUT OF RANGE CLOSES LCV-11, UNLESS LSH-11 IS HIGH.



NOTE:
 THIS DRAWING INCLUDES COMPONENTS OF THE FACILITY THAT ARE EXEMPT FROM PERMITTING UNDER VARIOUS PROVISIONS OF RCRA. DATA RELATED TO THESE COMPONENTS IS PROVIDED FOR INFORMATIONAL PURPOSES AND EASE OF REVIEW ONLY, AND THEY ARE NOT INTENDED TO BECOME REGULATED COMPONENTS OF THE HAZARDOUS WASTE FACILITY.

5	3/15/12	NAME CHANGED TO SIEMENS INDUSTRY, INC.	JBE	KEM
4	2/22/07	UPDATED FOR PERMIT SUBMITTAL	JBE	KEM
3	7/17/02	REVISED FOR RCRA PART B PERMIT APPLICATION	STA	KEM
2	12/06/96	AS BUILT	TGB	
1	4/01/96	DELETED EFFLUENT LIFT STATION, GENERAL REVISIONS	A.L.	KEM
REV.	DATE	REVISION DESCRIPTION	DRAWN	CHK'D
CUSTOMER:			SIEMENS	ENGR
INDUSTRY, INC.				
LOCATION:			SIEMENS INDUSTRY, INC..	
2523 MUTAHAR ST.			Parker, AZ	
PARKER, AZ 85344				
PROJECT No. 11135				
DRAWN: AM				
CHK'D: KEM				
DATE: 1/14/96				
ENGR:				

TITLE:
 REACTIVATION FACILITY
 PROCESS WATER DISCHARGE TO POTW
 PIPING & INSTRUMENTATION DIAGRAM

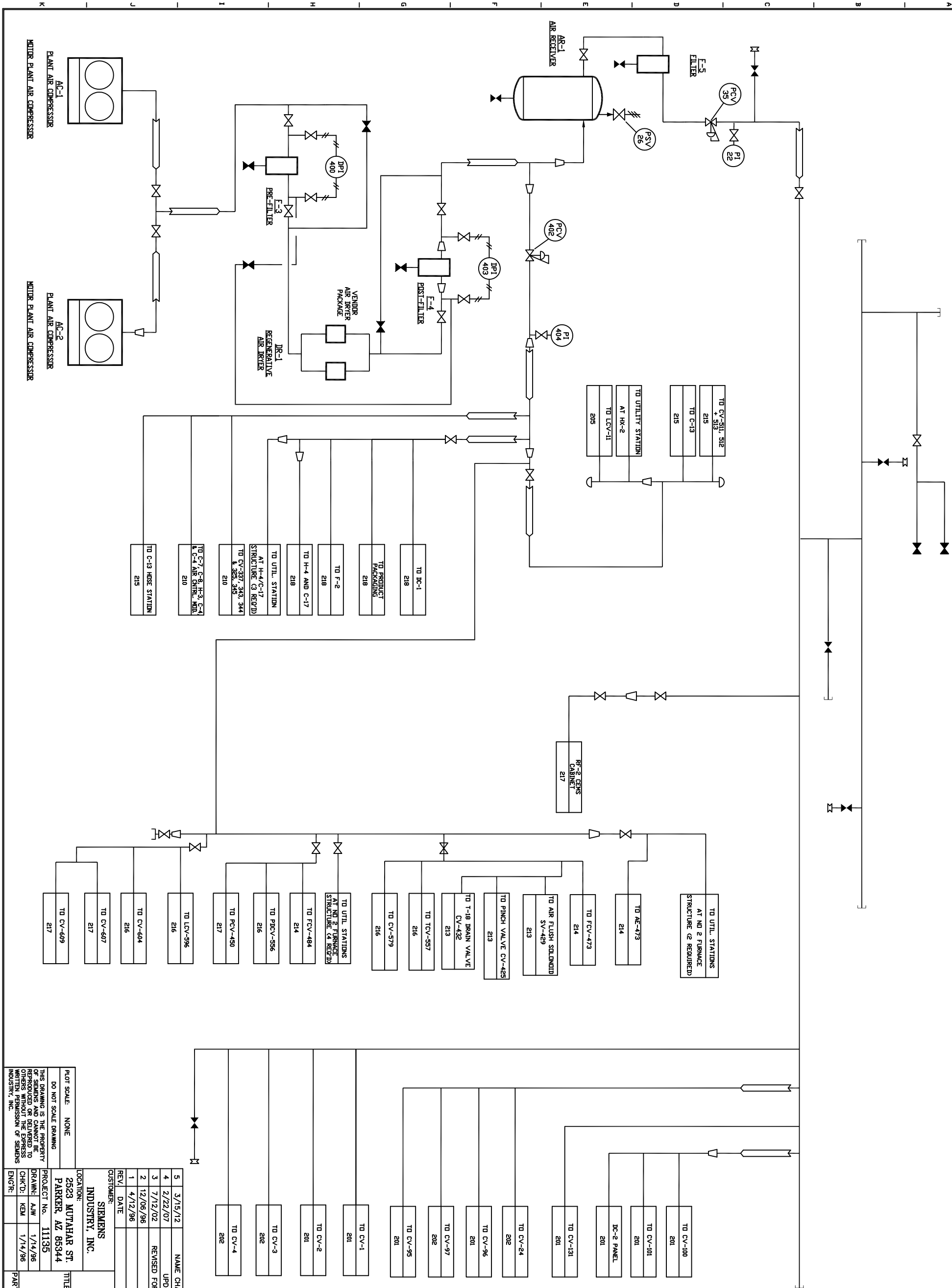
PLLOT SCALE: NONE
 DO NOT SCALE DRAWING

THIS DRAWING IS THE PROPERTY OF SIEMENS INDUSTRY, INC. AND IS NOT TO BE REPRODUCED OR DELIVERED TO OTHERS WITHOUT THE EXPRESS WRITTEN PERMISSION OF SIEMENS INDUSTRY, INC.

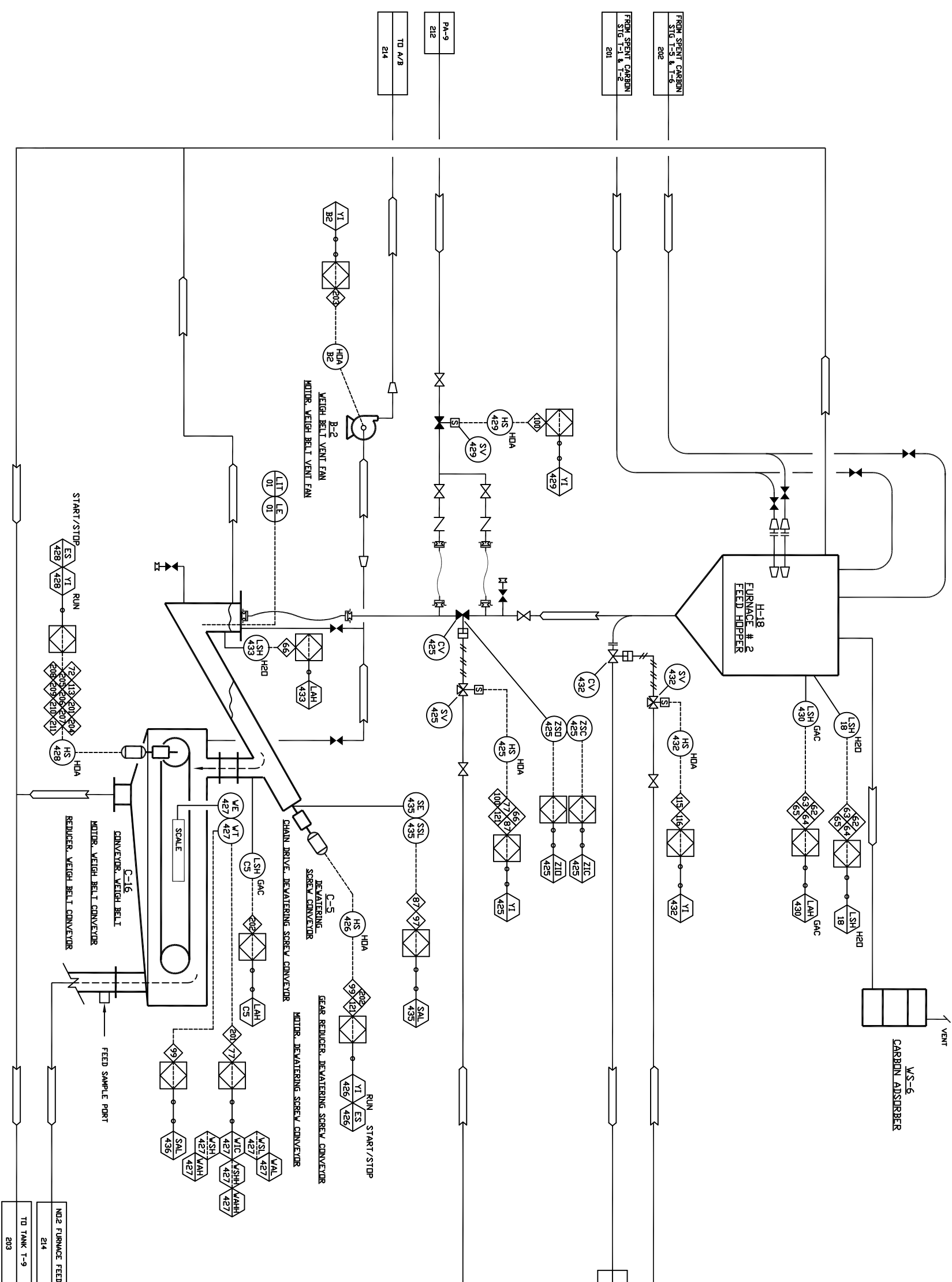
PART No.: D11135-205 **REV.:** 5

PRINT DATE: 4/19/12

INTERLOCK NOTES



5	3/15/12	NAME CHANGED TO SIEMENS INDUSTRY, INC.	JBE	KEM
4	2/22/07	UPDATED FOR PERMIT SUBMITTAL	JBE	KEM
3	7/12/02	REVISED FOR RORA PART B PERMIT APPLICATION AS BUILT	STA	KEM
2	12/06/96	GENERAL REVISIONS	TGB	
1	4/12/96	GENERAL REVISIONS	ALL	KEM
REV	DATE	REVISION DESCRIPTION	DRAWN	CHK'D
CUSTOMER: SIEMENS INDUSTRY, INC.				
LOCATION: 2523 MUTAHAR ST. PARKER, AZ 85344				
PROJECT No. 11135				
DRAWN: AMW 1/14/96				
CHK'D: KEM 1/14/96				
ENGR: [blank]				
TITLE: REACTIVATION FACILITY UTILITIES - COMPRESSED AIR PIPING & INSTRUMENTATION DIAGRAM				
PART No. [blank]				
DWG No. D11135-212				
REV. 5				



INTERLOCK NOTES

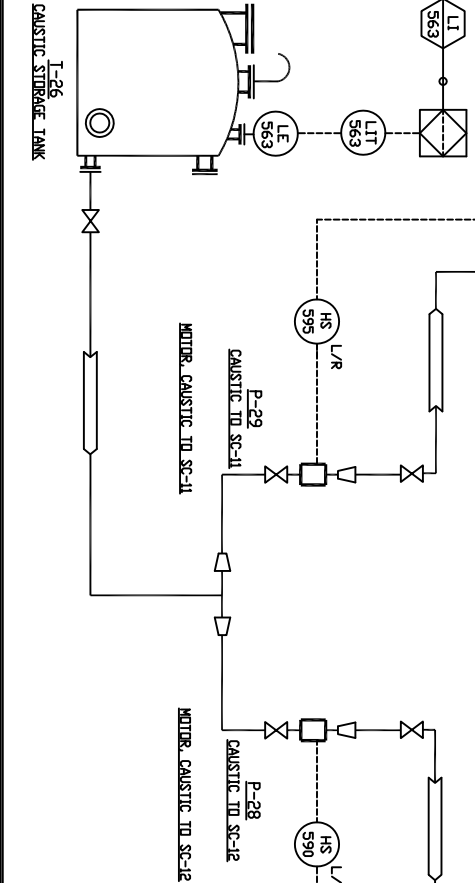
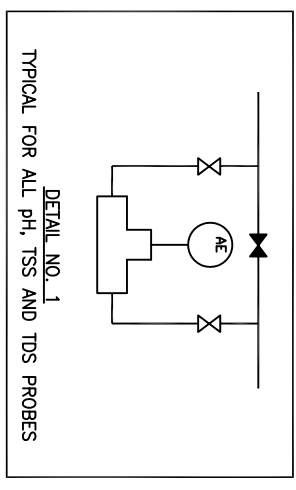
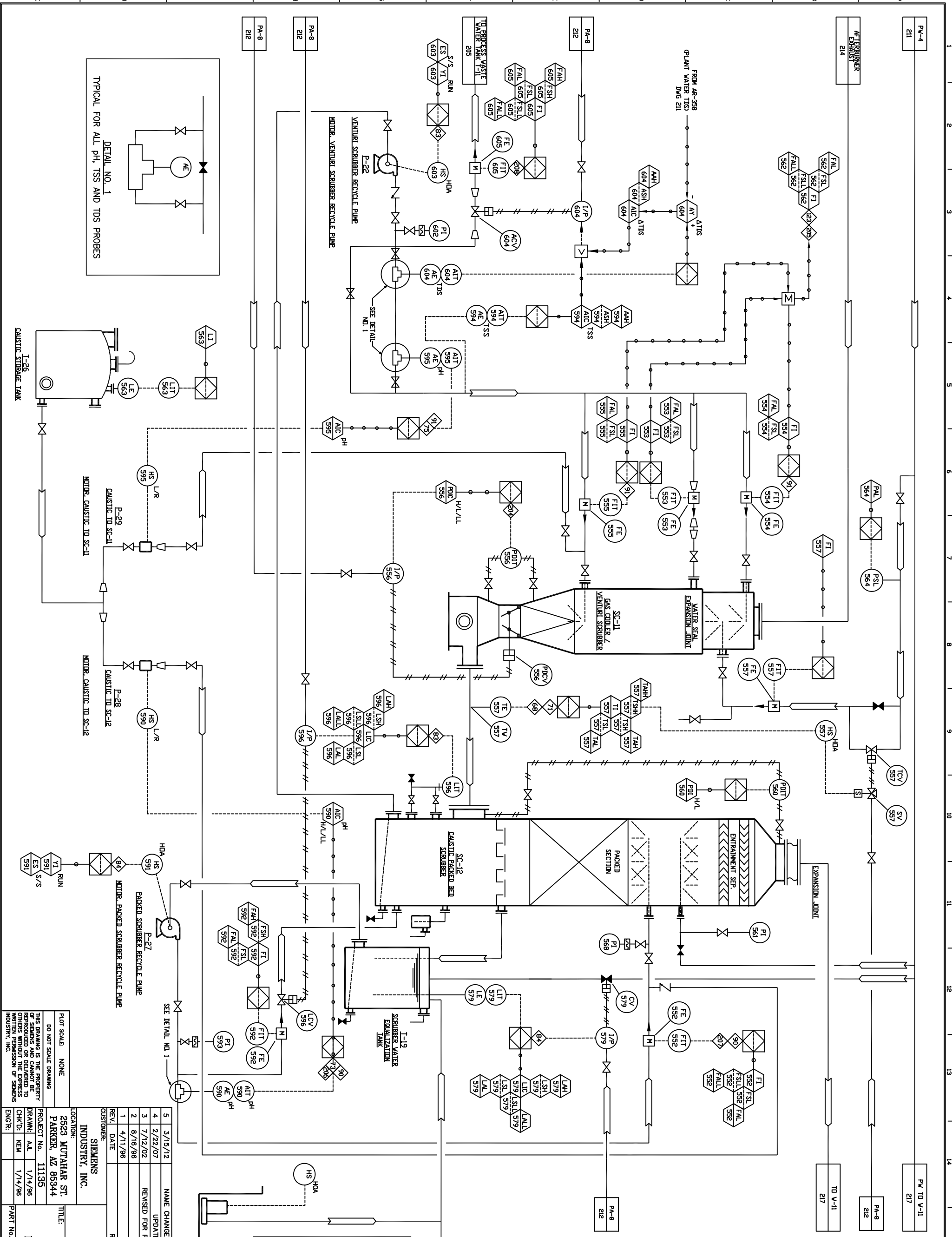
- 68 = HIGH WATER LEVEL IN C-5: WHEN THE WATER LEVEL IN THE DEWATERING SCREEN REACHES LSH-433, CV-425 IS HELD SHUT.
- 72 = LOW-LOW AFTERBURNER TEMPERATURE ON SELECTED TSSL-463, 464, OR 466 DISABLES C-16 AND STOPS FEED TO RF-2.
- 77 = FEED RATE CONTROL: WHEN THE FEED RATE VARIES OUT OF RANGE, WIC-427 ALTERS THE TIME THAT CV-425 IS OPEN.
- 87 = CV-425 IS HELD SHUT WHEN C-5 IS NOT RUNNING.
- 97 = SEE NOTE ON DWG. 203.
- 99 = C-5 IS DISABLED UNLESS C-16 IS RUNNING.
- 100 = SV-429 OPENS FOR 3 SECOND DURATION TO FLUSH LINE PRIOR TO CV-425 OPENING AND AFTER CV-425 CLOSES.
- 113 = C-16 IS DISABLED UNLESS RF-2 ROTARY AIRLOCK AND CENTER SHAFT ARE RUNNING.
- 119 = RF-2 CENTER SHAFT STOPPED ON SSL-458 FOR GREATER THAN 30 MINUTES OPENS CV-432 TO DRAIN RF-2 FEED HOPPER H-18.
- 119 = CARBON SLURRY TRANSFER TO H-18 FROM T-1, T-2, T-5 AND T-6 IS DISABLED IF CV-432 IS OPEN.
- 121 = SEE NOTE ON DWG. 214.
- 201 = HIGH-HIGH SPENT CARBON FEED RATE ON WSHH-427 DISABLES C-16 AND STOPS FEED TO RF-2.
- 202 = WHEN CARBON LEVEL IN C-5 DROP CHUTE REACHES LSH-C5, C5 IS STOPPED. RESTART AFTER CONDITION IS CLEARED BY OPERATOR.
- 203 = I.D. FAN B-15 MUST BE RUNNING FOR B-2 TO RUN IN AUTO. STOPS IF B-15 SHUTS OFF.
- 204 = LOW-LOW VENTURI SCRUBBER DIFFERENTIAL PRESSURE ON PDL-556 DISABLES C-16 AND STOPS FEED TO RF-2.
- 205 = LOW-LOW QUENCH/VENTURI TOTAL LIQUID FLOW RATE ON FSL-562 DISABLES C-16 AND STOPS FEED TO RF-2.
- 206 = LOW-LOW PACKED BED SCRUBBER PH ON ASLL-590 DISABLES C-16 AND STOPS FEED TO RF-2.
- 207 = LOW-LOW PACKED BED SCRUBBER LIQUID FLOW RATE ON FSL-552 DISABLES C-16 AND STOPS FEED TO RF-2.
- 208 = LOW-LOW WET SCRUBBER BLOWDOWN RATE ON FSL-605 DISABLES C-16 AND STOPS FEED TO RF-2.
- 209 = LOW-LOW WESP SECONDARY VOLTAGE ON ESSL-558 DISABLES C-16 AND STOPS FEED TO RF-2.
- 210 = HIGH-HIGH STACK GAS FLOW RATE ON FSHH-700 DISABLES C-16 AND STOPS FEED TO RF-2.
- 211 = HIGH-HIGH STACK GAS CARBON MONOXIDE CONCENTRATION ON ASHH-575 DISABLES C-16 AND STOPS FEED TO RF-2.

NOTE:
THIS DRAWING INCLUDES COMPONENTS OF THE FACILITY THAT ARE EXEMPT FROM PERMITTING UNDER VARIOUS PROVISIONS OF RCRA. DATA RELATED TO THESE COMPONENTS IS PROVIDED FOR INFORMATIONAL PURPOSES AND EASE OF REVIEW ONLY, AND THEY ARE NOT INTENDED TO BECOME REGULATED COMPONENTS OF THE HAZARDOUS WASTE FACILITY.

REV.	DATE	DESCRIPTION	DRAWN	CHK'D	ENGR.
5	3/15/12	NAME CHANGED TO SIEMENS INDUSTRY, INC.	JBE	KEM	
4	2/22/07	UPDATED FOR PERMIT SUBMITTAL	JBE	KEM	
3	7/12/02	REVISED FOR RORA PART B PERMIT APPLICATION AS BUILT	STA	KEM	
2	12/06/96	GENERAL REVISIONS	TGB		
1	4/01/96	GENERAL REVISIONS	ALL	KEM	

SIEMENS INDUSTRY, INC.		SIEMENS INDUSTRY, INC.	
INDUSTRY, INC.		Parker, AZ	
LOCATION:	2523 MUTAHAR ST.	TITLE:	REACTIVATION FACILITY
	PARKER, AZ 85344		FURNACE # 2 FEED SYSTEM
PROJECT NO.	11135		PIPING & INSTRUMENTATION DIAGRAM
DRAWN:	ALL	DWG No.	D11135-213
CHK'D:	KEM	REV.	5
ENGR.			

PLANT SCALE: NONE
DO NOT SCALE DRAWING
THIS DRAWING IS THE PROPERTY OF SIEMENS AND CANNOT BE REPRODUCED OR DELIVERED TO OTHERS WITHOUT THE EXPRESS WRITTEN PERMISSION OF SIEMENS INDUSTRY, INC.



5	3/15/12	NAME CHANGED TO SIEMENS INDUSTRY, INC.	JBE	KEM
4	2/22/07	UPDATED FOR PERMIT SUBMITTAL	JBE	KEM
3	7/12/02	REVISED FOR RCRA PART B PERMIT APPLICATION	STA	KEM
2	8/16/98	AS BUILT	CHU	KEM
1	4/11/96	GENERAL REVISIONS	ALL	KEM
		REVISION DESCRIPTION	DRAWN	CHK'D
			ENGR	

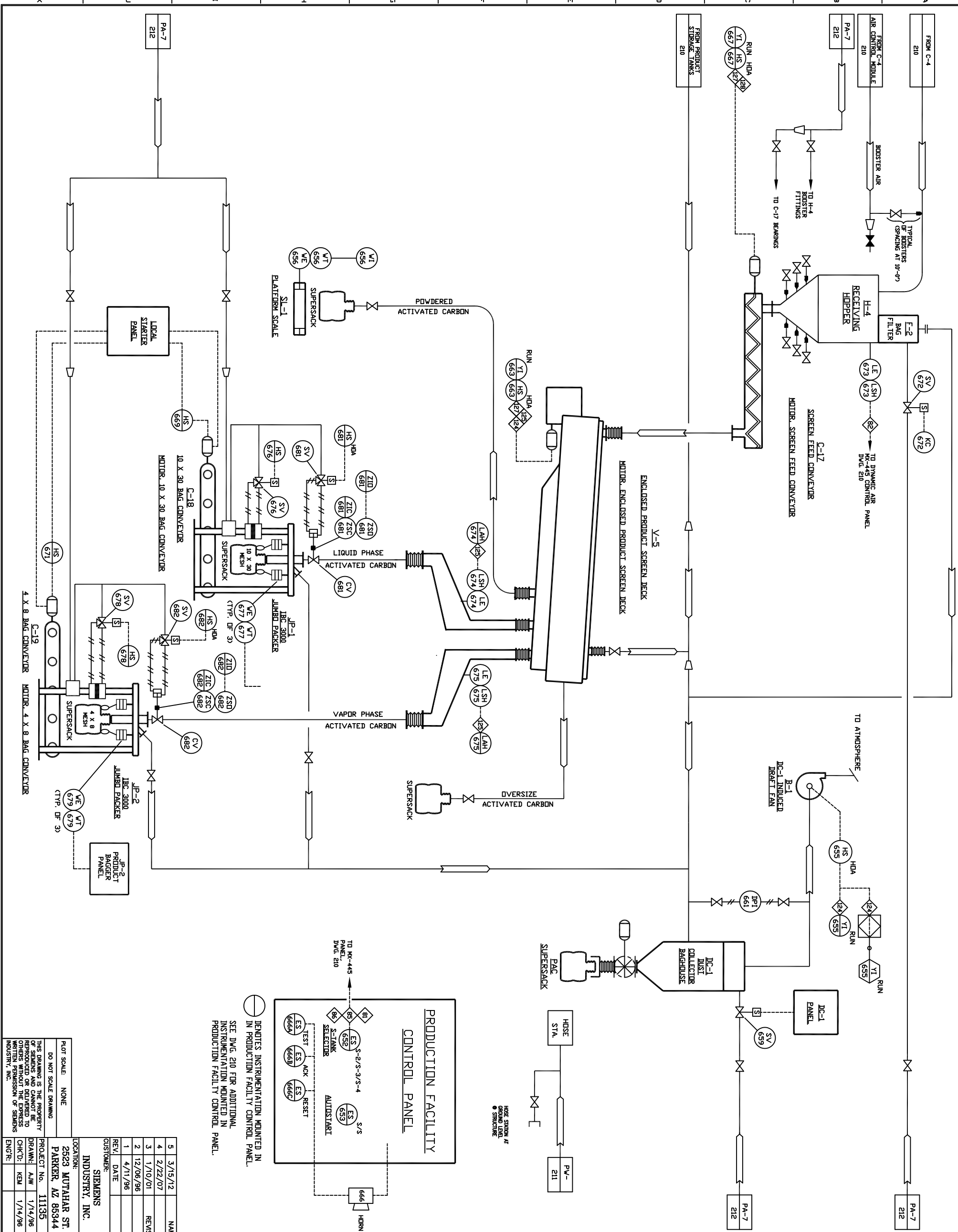
LOCATION: 2523 AUTAHAR ST. PARKER, AZ 85344
 PROJECT No. 11135
 DRAWN: ALL 1/14/96
 CHK'D: KEM 1/14/96
 ENGR:

SIEMENS INDUSTRY, INC.
 REACTIVATION FACILITY
 FURNACE #2 OFF GAS SCRUBBER
 PIPING & INSTRUMENTATION DIAGRAM
 Parker, AZ

NOTE:
 THIS DRAWING INCLUDES COMPONENTS OF THE FACILITY THAT ARE EXEMPT FROM PERMITTING UNDER VARIOUS PROVISIONS OF RCRA. DATA RELATED TO THESE COMPONENTS IS PROVIDED FOR INFORMATIONAL PURPOSES AND EASE OF REVIEW ONLY, AND THEY ARE NOT INTENDED TO BECOME REGULATED COMPONENTS OF THE HAZARDOUS WASTE FACILITY.

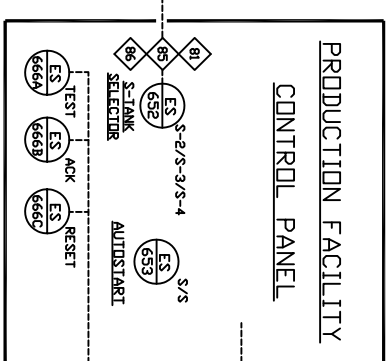
FROM STACK DRAIN	217
FROM I.D. FAN DRAIN	217
FROM I.D. FAN DRAIN	217
FROM STEAM TRAPS	214

- INTERLOCK NOTES**
- 68 = SEE NOTE ON DWG. 214.
 - 71 = TCV-557 OPENS UPON HIGH-HIGH SCRUBBER GAS TEMPERATURE ON TSHH-557.
 - 73 = LOW pH TURNS ON CAUSTIC PUMP P-28. HIGH pH TURNS OFF P-28.
 - 75 = LOW pH TURNS ON CAUSTIC PUMP P-29 HIGH pH TURNS OFF P-29.
 - 83 = P-22 IS DISABLED UPON LOW-LOW LEVEL IN SC-12 ON LSLL-596.
 - 84 = P-27 IS DISABLED UPON LOW-LOW LEVEL IN T-19 ON LSLL-579.
 - 90 = FI-552 MUST SHOW FLOW TO ENABLE CAUSTIC PUMP P-28.
 - 91 = BOTH FI-554 AND FI-555 MUST SHOW FLOW TO ENABLE CAUSTIC PUMP P-29.
 - 123 = BURNER PERMISSIVE. BURNER SYSTEM SHUT-DOWN UPON LOW-LOW SCRUBBER WATER FLOW FOR 5 MINUTES ON FSL-562 INITIATES RF-2 SHUT-DOWN INTERLOCK 121.
 - 200 = SEE NOTE ON DWG. 213.
 - 205 = SEE NOTE ON DWG. 213.
 - 206 = SEE NOTE ON DWG. 213.
 - 207 = SEE NOTE ON DWG. 213.
 - 208 = SEE NOTE ON DWG. 213.



INTERLOCK NOTES

- 81 = SEE NOTE ON DWG. 210.
- 82 = SEE NOTE ON DWG. 210.
- 85 = SEE NOTE ON DWG. 210.
- 86 = SEE NOTE ON DWG. 210.
- 125 = B-1 MUST BE RUNNING TO ENABLE SCREEN DECK V-5, JP-1, JP-2, AND CARBON TRANSPORT FROM C-4 TO H-4.
- 127 = V-5 MUST BE RUNNING TO ENABLE C-17.
- 129 = PRODUCTION FACILITY AUTO-START.



○ DENOTES INSTRUMENTATION MOUNTED IN PRODUCTION FACILITY CONTROL PANEL.
 ○ SEE DWG. 210 FOR ADDITIONAL INSTRUMENTATION MOUNTED IN PRODUCTION FACILITY CONTROL PANEL.

NOTE:
 THIS DRAWING INCLUDES COMPONENTS OF THE FACILITY THAT ARE EXEMPT FROM PERMITTING UNDER VARIOUS PROVISIONS OF RCRA. DATA RELATED TO THESE COMPONENTS IS PROVIDED FOR INFORMATIONAL PURPOSES AND EASE OF REVIEW ONLY, AND THEY ARE NOT INTENDED TO BECOME REGULATED COMPONENTS OF THE HAZARDOUS WASTE FACILITY.

5	3/15/12	NAME CHANGED TO SIEMENS INDUSTRY, INC.	JBE	KEM
4	2/22/07	UPDATED FOR PERMIT SUBMITTAL	JBE	KEM
3	1/10/01	REVISED FOR RCRA PART B PERMIT SUBMITTAL	JBE	---
2	12/06/96	AS BUILT	TGB	---
1	4/11/96	GENERAL REVISIONS	A.L.	KEM
REV.	DATE	REVISION DESCRIPTION	DRAWN	CHK'D
CUSTOMER: SIEMENS INDUSTRY, INC.			DRAWN	ENGR
LOCATION: 2523 WUTAHAR ST. PARKER, AZ 85344			TITLE: REACTIVATION FACILITY PRODUCT HANDLING SYSTEM PIPING & INSTRUMENTATION DIAGRAM	
PROJECT No. 11135			DWG No. D1135-218	
DRAWN: AJW 1/14/96			REV. 5	
CHK'D: KEM 1/14/96			PART No.	
ENGR:			REV. 5	