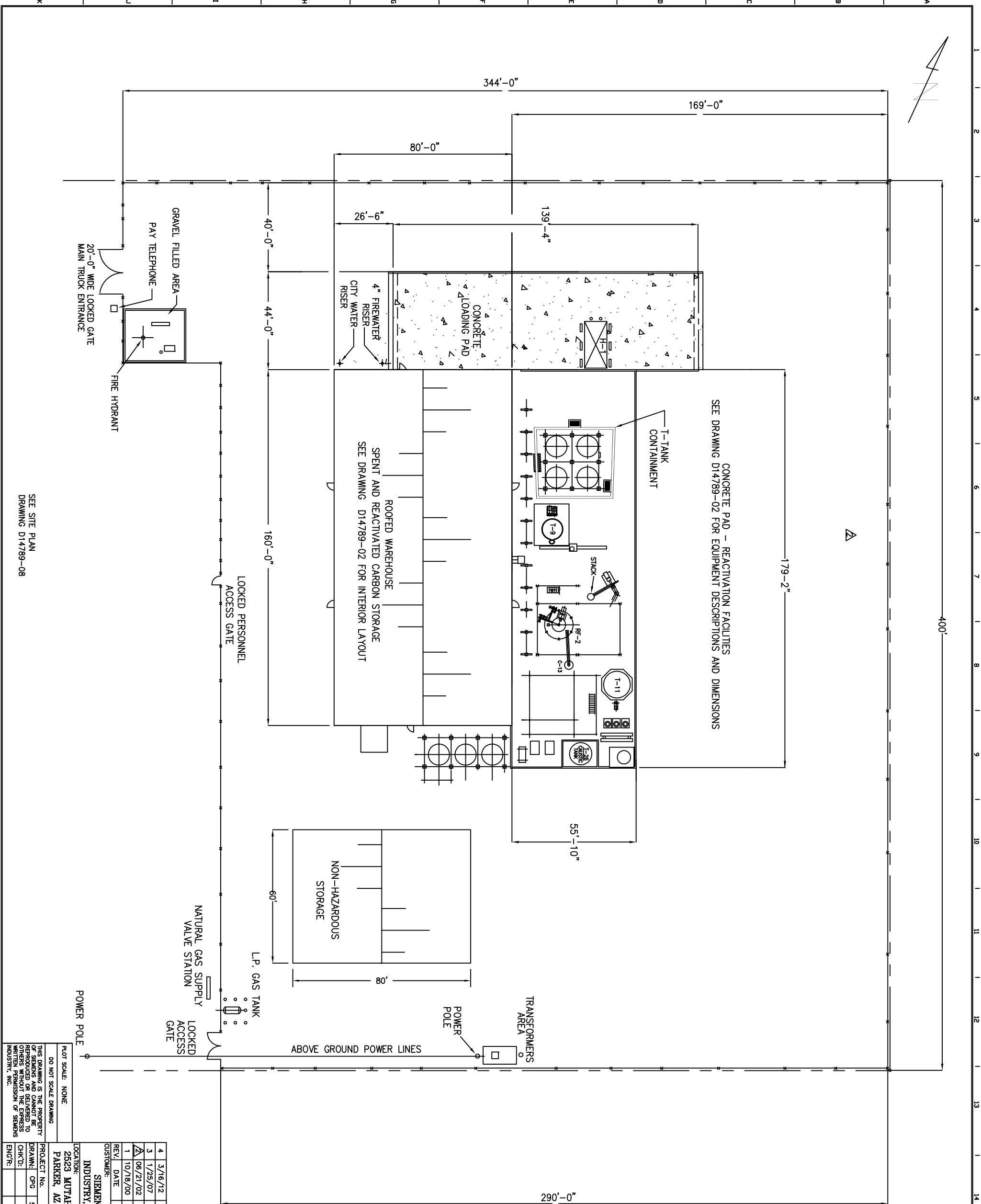


APPENDIX III
SITE DIAGRAMS
FOR
SIEMENS INDUSTRY, INC.
PARKER REACTIVATION FACILITY
PARKER, ARIZONA

Revision 1
April 2012

TABLE OF CONTENTS

<u>DRAWING NO.</u>	<u>DESCRIPTION</u>
D14789-01	Reactivation Facility Site Plan
D14789-02	Reactivation Facility Equipment Arrangement
D14789-03	Reactivation Facility Site View Overall Arrangements
D14789-04	Reactivation Facility Overall Arrangements
D14789-08	Reactivation Facility Site Plan
1541-CM-001	Site Contour Map
1478-P-001	Plan Views
1478-P-002	Plan Views
1478-P-003	Plan Views
1478-P-004	Elevation Looking North
1478-P-005	Elevation Looking West



NOTES:
 1. THIS DRAWING INCLUDES COMPONENTS OF THE FACILITY THAT ARE EXEMPT FROM PERMITTING UNDER VARIOUS PROVISIONS OF RCRA. DATA RELATED TO THESE COMPONENTS IS PROVIDED FOR INFORMATIONAL PURPOSES AND EASE OF REVIEW ONLY, AND THEY ARE NOT INTENDED TO BECOME REGULATED COMPONENTS OF THE HAZARDOUS WASTE FACILITY.

4	3/16/12	NAME CHANGED TO SIEMENS INDUSTRY, INC.	JBE	KEM
3	1/25/07	UPDATED FOR PERMIT SUBMITTAL	JBE	KEM
2	06/21/02	REMOVED DUMPSTER PAD	OPG	KEM
1	10/18/00	REVISED FOR RCRA PART B PERMIT APPLICATION	JBE	---
REV.	DATE	REVISION DESCRIPTION	DRAWN	CHK'D
ENGR				ENGR

CUSTOMER: SIEMENS INDUSTRY, INC.
 LOCATION: 2523 MUTAHAR ST. PARKER, AZ 85344

TITLE: SIEMENS INDUSTRY, INC. Reactivation Facility Parker, AZ

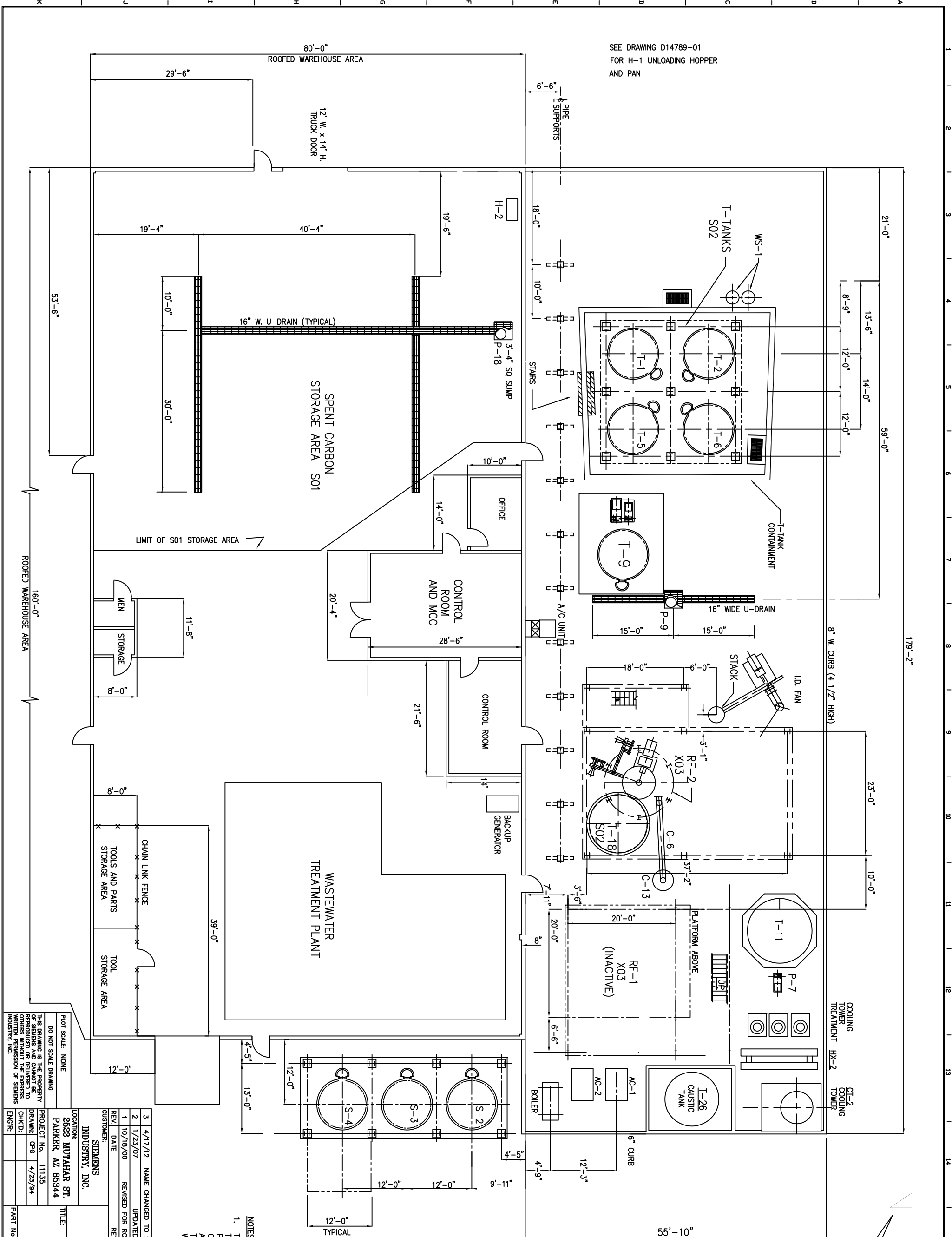
PROJECT No. PARKER, AZ 85344

DRAWN: OPG 5/16/94

CHK'D:

ENGR:

PART No. DWG No. D14789-01 REV 4



SEE DRAWING D14789-01
FOR H-1 UNLOADING HOPPER
AND PAN

SPENT CARBON
STORAGE AREA S01

WASTEWATER
TREATMENT PLANT

CONTROL ROOM
AND MCC

CONTROL ROOM

BACKUP
GENERATOR

MEN
STORAGE

CHAIN LINK FENCE
TOOLS AND PARTS
STORAGE AREA
TOOL
STORAGE AREA

TYPICAL

EQUIPMENT LIST:

- C-4 TRANSPORTER
- C-6 PRODUCT COOLING SCREW
- C-13 TRANSPORTER
- CT-2 COOLING TOWER
- H-1 CARBON HOPPER
- H-2 CARBON HOPPER
- HX-2 HEAT EXCHANGER
- P-4 RECYCLE WATER PUMP
- P-5 RECYCLE WATER PUMP
- P-7 PROCESS WW PUMP
- P-9 SUMP PUMP
- P-18 SUMP PUMP
- S-2 CARBON STORAGE TANK
- S-3 CARBON STORAGE TANK
- S-4 CARBON STORAGE TANK
- T-1 SPENT CARBON STORAGE TANK
- T-2 SPENT CARBON STORAGE TANK
- T-5 SPENT CARBON STORAGE TANK
- T-6 SPENT CARBON STORAGE TANK
- T-9 RECYCLE WATER STORAGE TANK
- T-11 PROCESS WW STORAGE TANK
- T-18 FURNACE FEED TANK
- T-26 CAUSTIC TANK
- WS-1 ACTIVATED CARBON ADSORBER

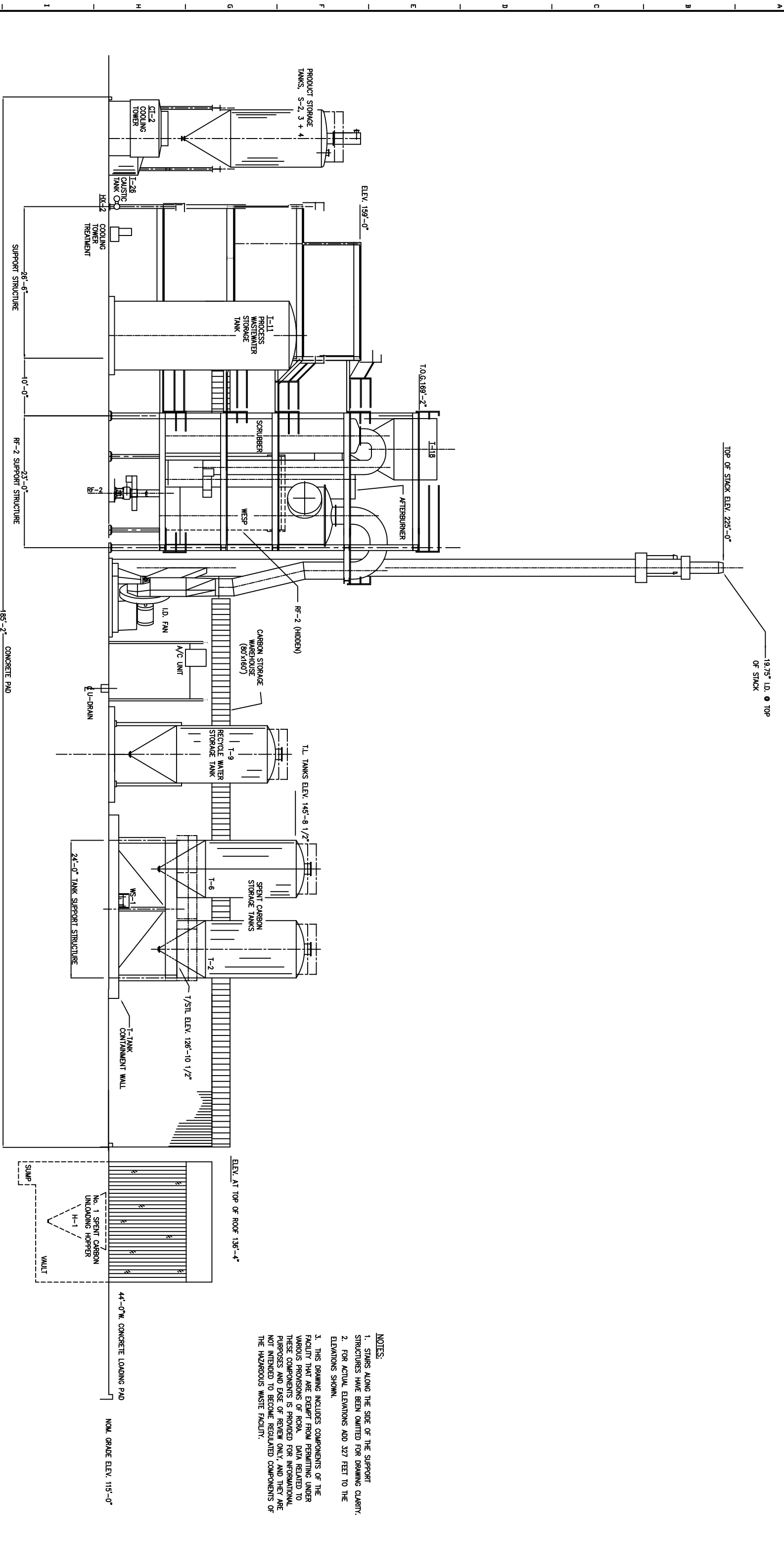
NOTES:

1. THIS DRAWING INCLUDES COMPONENTS OF THE FACILITY THAT ARE EXEMPT FROM PERMITTING UNDER VARIOUS PROVISIONS OF RCRA. COMPONENTS IS PROVIDED FOR INFORMATIONAL PURPOSES AND EASE OF REVIEW ONLY, AND THEY ARE NOT INTENDED TO BECOME REGULATED COMPONENTS OF THE HAZARDOUS WASTE FACILITY.

PLOT SCALE: NONE
DO NOT SCALE DRAWING
THIS DRAWING IS THE PROPERTY OF SIEMENS AND CANNOT BE REPRODUCED OR DELIVERED TO OTHERS WITHOUT THE EXPRESS WRITTEN PERMISSION OF SIEMENS INDUSTRY, INC.

3	4/17/12	NAME CHANGED TO SIEMENS INDUSTRY, INC., MOVE WS-1	JBE	KEM
2	1/23/07	UPDATED FOR PERMIT SUBMITTAL	JBE	KEM
1	10/18/00	REVISED FOR RCRA PART B PERMIT APPLICATION	JBE	---
REV. DATE		REVISION DESCRIPTION	DRAWN	CHK'D ENGR

CUSTOMER:	SIEMENS INDUSTRY, INC.
LOCATION:	2523 MUTJAHAR ST. PARKER, AZ 85344
PROJECT No.:	11135
DRAWN:	CPG
CHK'D:	4/23/94
ENGR:	
TITLE:	SIEMENS INDUSTRY, INC. Parker, AZ REACTIVATION FACILITY EQUIPMENT ARRANGEMENT
PART No.:	
DWG No.:	D14789-02
REV.:	3



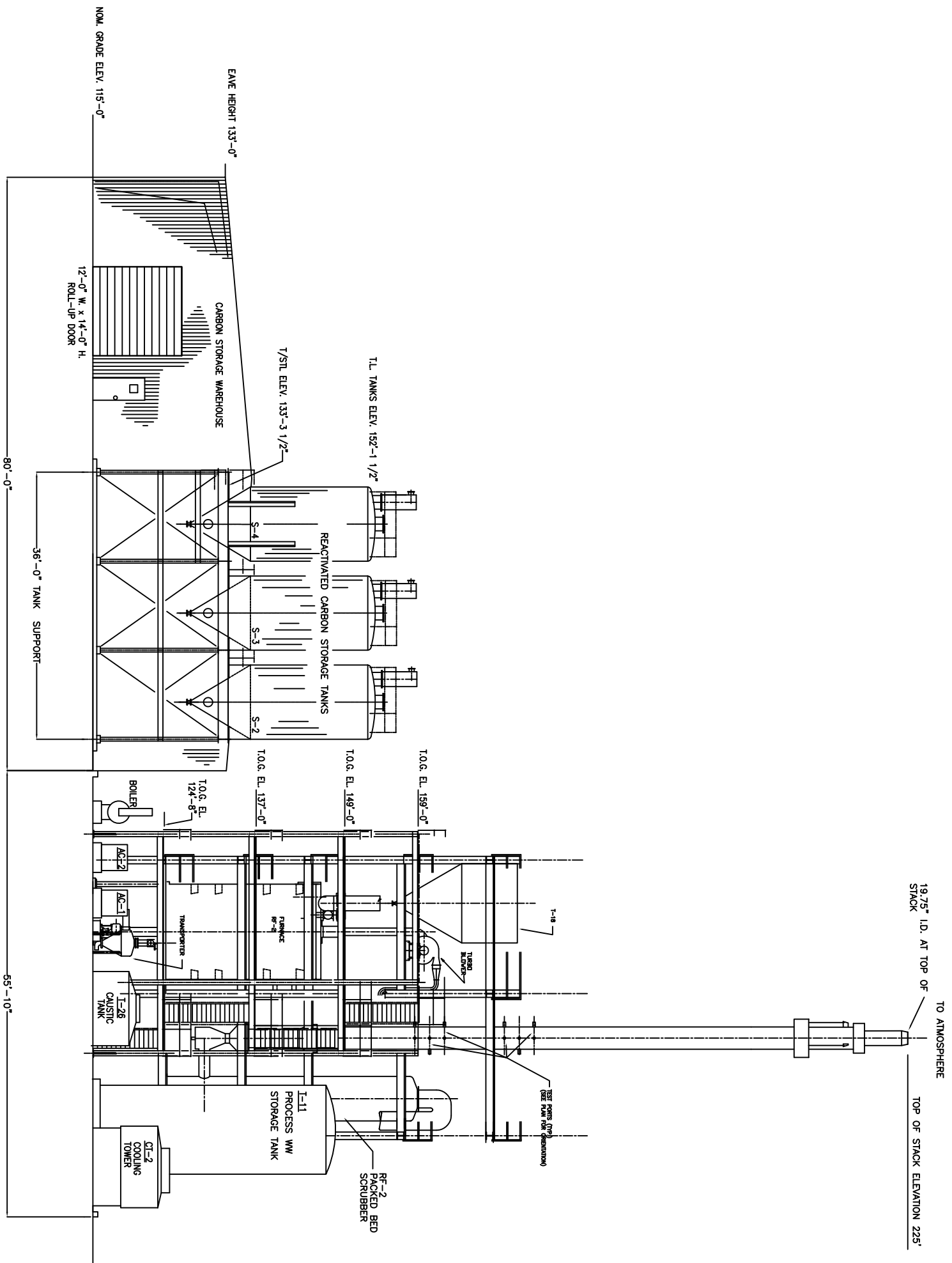
OVERALL SITE VIEW LOOKING SOUTHWEST

NOTES:

1. STAIRS ALONG THE SIDE OF THE SUPPORT STRUCTURES HAVE BEEN OMITTED FOR DRAWING CLARITY.
2. FOR ACTUAL ELEVATIONS ADD 327 FEET TO THE ELEVATIONS SHOWN.
3. THIS DRAWING INCLUDES COMPONENTS OF THE FACILITY THAT ARE EXEMPT FROM PERMITTING UNDER VARIOUS PROVISIONS OF RCRA. DATA RELATED TO THESE COMPONENTS IS PROVIDED FOR INFORMATIONAL PURPOSES AND USE OF REVIEW ONLY AND THEY ARE NOT INTENDED TO BECOME REGULATED COMPONENTS OF THE HAZARDOUS WASTE FACILITY.

LOCATION: 2523 MUTAHAR ST. PARKER, AZ 85344		TITLE: REACTIVATION FACILITY SITE VIEW OVERALL ARRANGEMENTS	
CUSTOMER: SIEMENS INDUSTRY, INC.	SIEMENS INDUSTRY, INC. Parker, AZ		
REV. 3 3/16/12 NAME CHANGED TO SIEMENS INDUSTRY, INC.	JBE	KEM	
REV. 2 1/18/07 UPDATED FOR PERMIT SUBMITTAL	JBE	KEM	
REV. 1 7/24/02 REVISED FOR RCRA PART B PERMIT APPLICATION	OPG	KEM	
REV. 0 DATE REVISION DESCRIPTION	DRAWN	CHK'D	ENGR
PLOT SCALE: NONE DO NOT SCALE DRAWING	PART No. _____ DWG No. D14789-03 REV. 3		

THIS DRAWING IS THE PROPERTY OF SIEMENS, AND CANNOT BE REPRODUCED OR DELIVERED TO OTHERS WITHOUT THE EXPRESS WRITTEN PERMISSION OF SIEMENS INDUSTRY, INC.



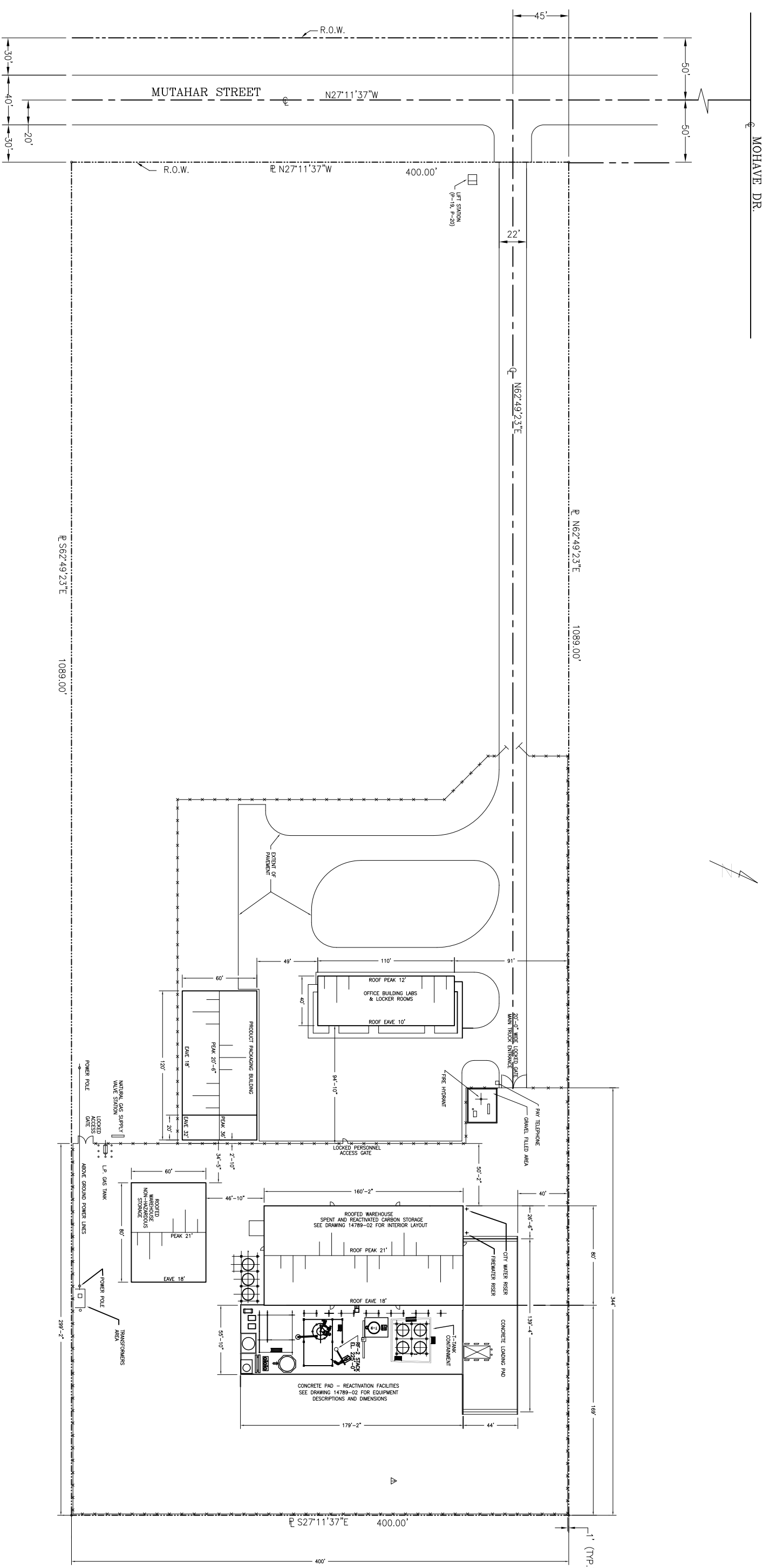
OVERALL SITE VIEW LOOKING NORTHWEST

- NOTES:
1. THIS DRAWING INCLUDES COMPONENTS OF THE FACILITY THAT ARE EXEMPT FROM PERMITTING UNDER VARIOUS PROVISIONS OF RCRA. DATA RELATED TO THESE COMPONENTS IS PROVIDED FOR INFORMATIONAL PURPOSES AND EASE OF REVIEW ONLY, AND THEY ARE NOT INTENDED TO BECOME REGULATED COMPONENTS OF THE HAZARDOUS WASTE FACILITY.
 2. FOR ACTUAL ELEVATIONS ADD 327 FEET TO THE ELEVATIONS SHOWN.

REV.	DATE	DESCRIPTION	DRAWN	CHK'D	ENGR
3	3/16/12	NAME CHANGED TO SIEMENS INDUSTRY, INC.	JBE	KEM	
2	1/16/07	UPDATED FOR PERMIT SUBMITTAL	JBE	KEM	
1	7/16/02	REVISED FOR RCRA PART B PERMIT APPLICATION	STA	KEM	
		REVISION DESCRIPTION	DRAWN	CHK'D	ENGR

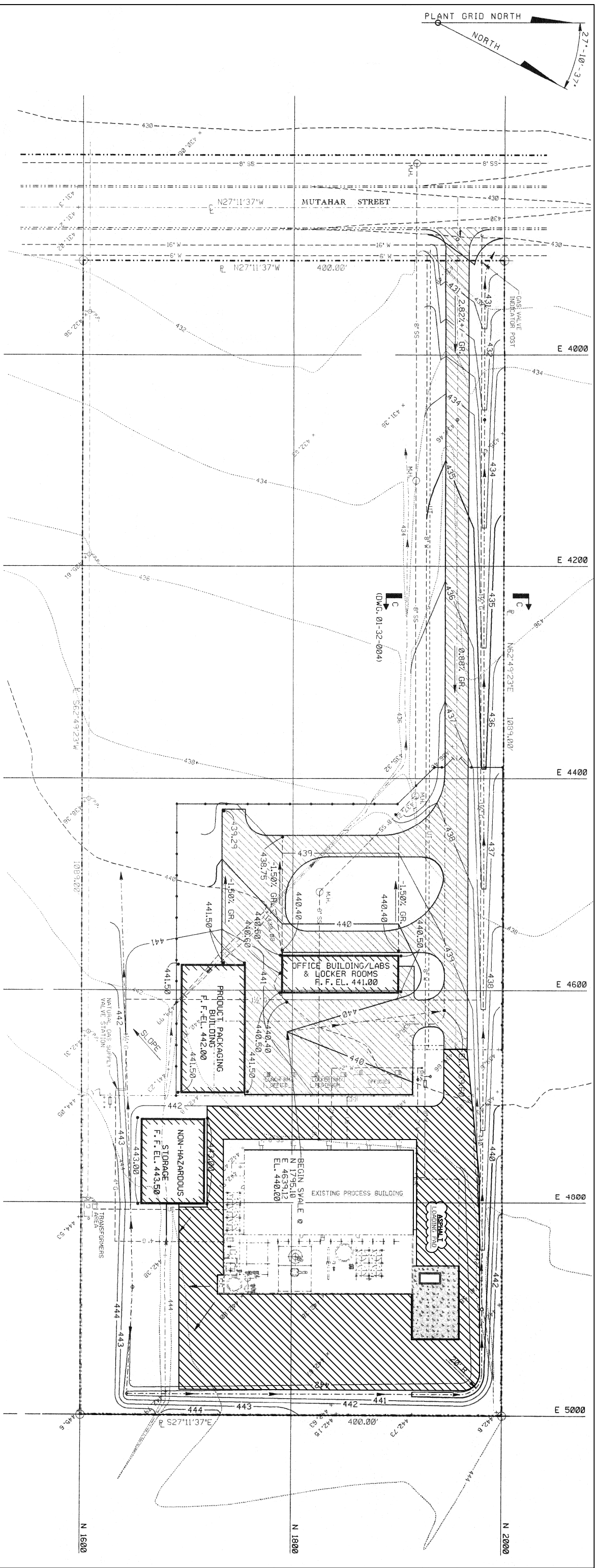
CUSTOMER:	SIEMENS INDUSTRY, INC.
LOCATION:	2523 MUTAHAR ST. PARKER, AZ 85344
PROJECT No.	11135
DRAWN:	OPG
CHK'D:	4/21/94
ENGR:	

TITLE:	SIEMENS INDUSTRY INC. Parker, AZ
PART No.	
DWG No.	D14789-04
REV.	3



- NOTES:**
- THIS DRAWING INCLUDES COMPONENTS OF THE FACILITY THAT ARE EXEMPT FROM PERMITTING UNDER VARIOUS PROVISIONS OF RCRA. DATA RELATED TO THESE COMPONENTS IS PROVIDED FOR INFORMATIONAL PURPOSES AND EASE OF REVIEW ONLY, AND THEY ARE NOT INTENDED TO BECOME REGULATED COMPONENTS OF THE HAZARDOUS WASTE FACILITY.

3	3/16/12	NAME CHANGED TO SIEMENS INDUSTRY, INC.	JBE	KEM
2	1/18/07	UPDATED FOR PERMIT SUBMITTAL	JBE	KEM
Δ	6/21/02	REMOVED DUMPSITE PAD	CPG	KEM
REV.	DATE	REVISION DESCRIPTION	DRAWN	CHK'D
CUSTOMER:		SIEMENS INDUSTRY, INC.	CHK'D	ENGR
LOCATION:		2523 MUTAHAR ST. PARKER, AZ 85344	TITLE: REACTIVATION FACILITY SITE PLAN	
PROJECT NO.:		58344	PART NO.:	
DRAWN:		CPG	DWG No.:	
CHK'D:		KEM	D14789-08	
ENGR:			REV.:	
			3	



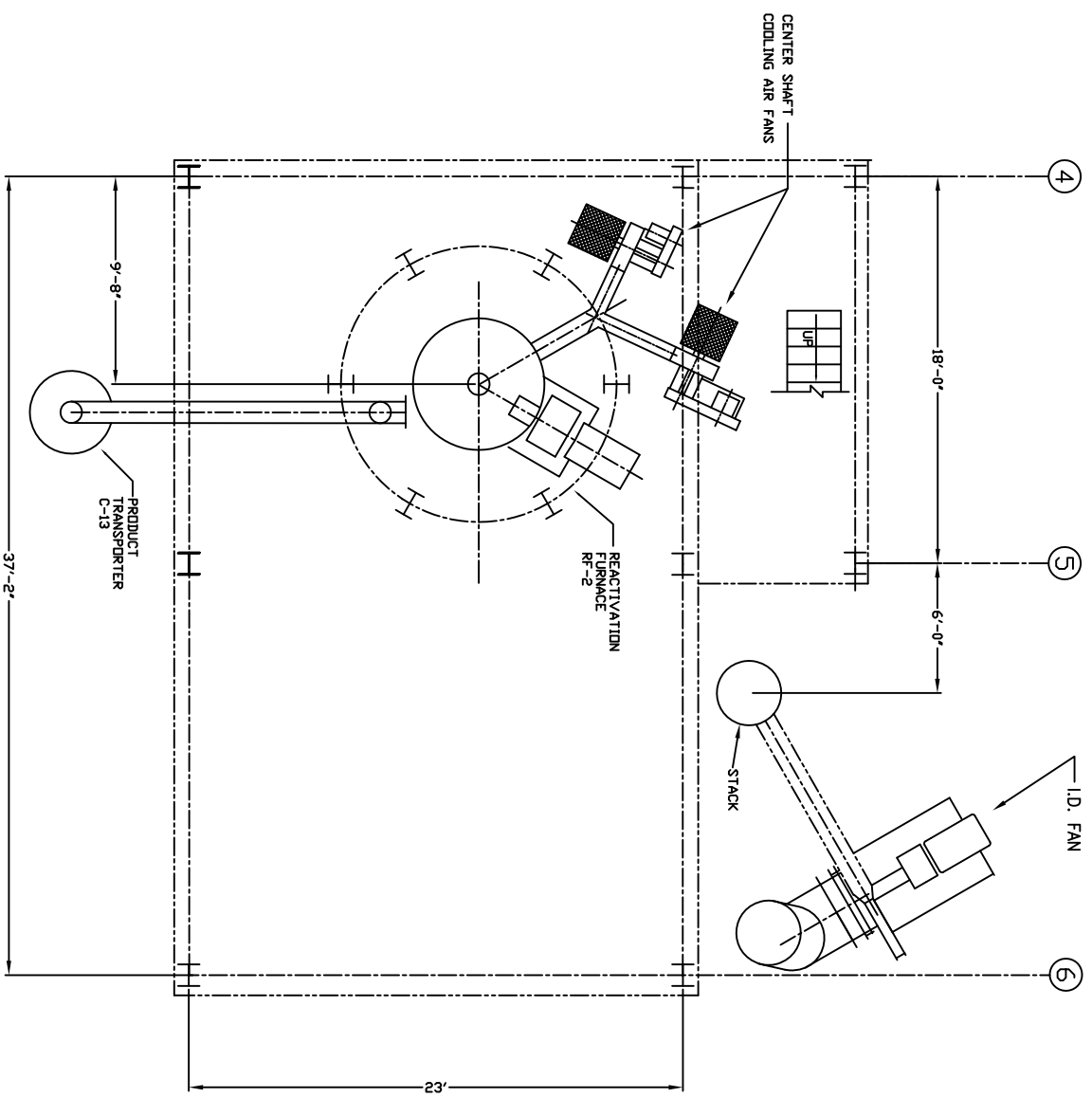
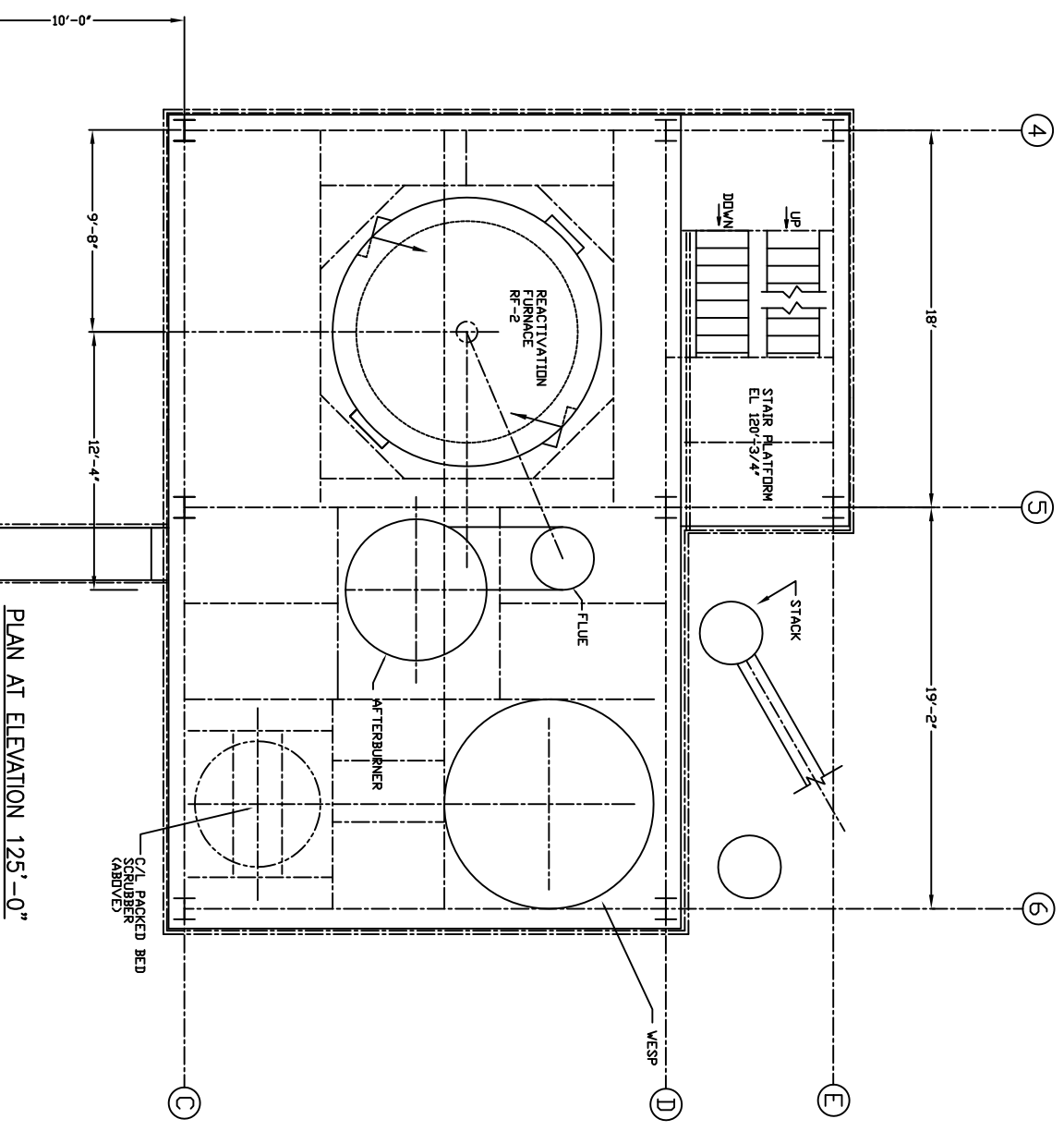
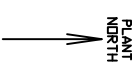
- NOTES:**
- THIS DRAWING INCLUDES COMPONENTS OF THE FACILITY THAT ARE EXEMPT FROM PERMITTING UNDER VARIOUS PROVISIONS OF RCRA. DATA RELATED TO THESE COMPONENTS IS PROVIDED FOR INFORMATIONAL PURPOSES AND EASE OF REVIEW ONLY, AND THEY ARE NOT INTENDED TO BECOME REGULATED COMPONENTS OF THE HAZARDOUS WASTE FACILITY.
 - THIS DRAWING IS BASED ON PARKER FACILITY DRAWING 01-32-002P



NO.	BY	CHK'D	APP.	NAME CHANGED TO SIEMENS INDUSTRY	DATE
1	JBE	KEM			3/15/12
REVISIONS CBE CHAVOND-BARRY ENGINEERING CORP. 400 Route 518 • P.O. Box 205 • Bloomington, New Jersey 08504 SIEMENS INDUSTRY, INC. 2523 MUTAHAR STREET, PARKER, AZ 85344					

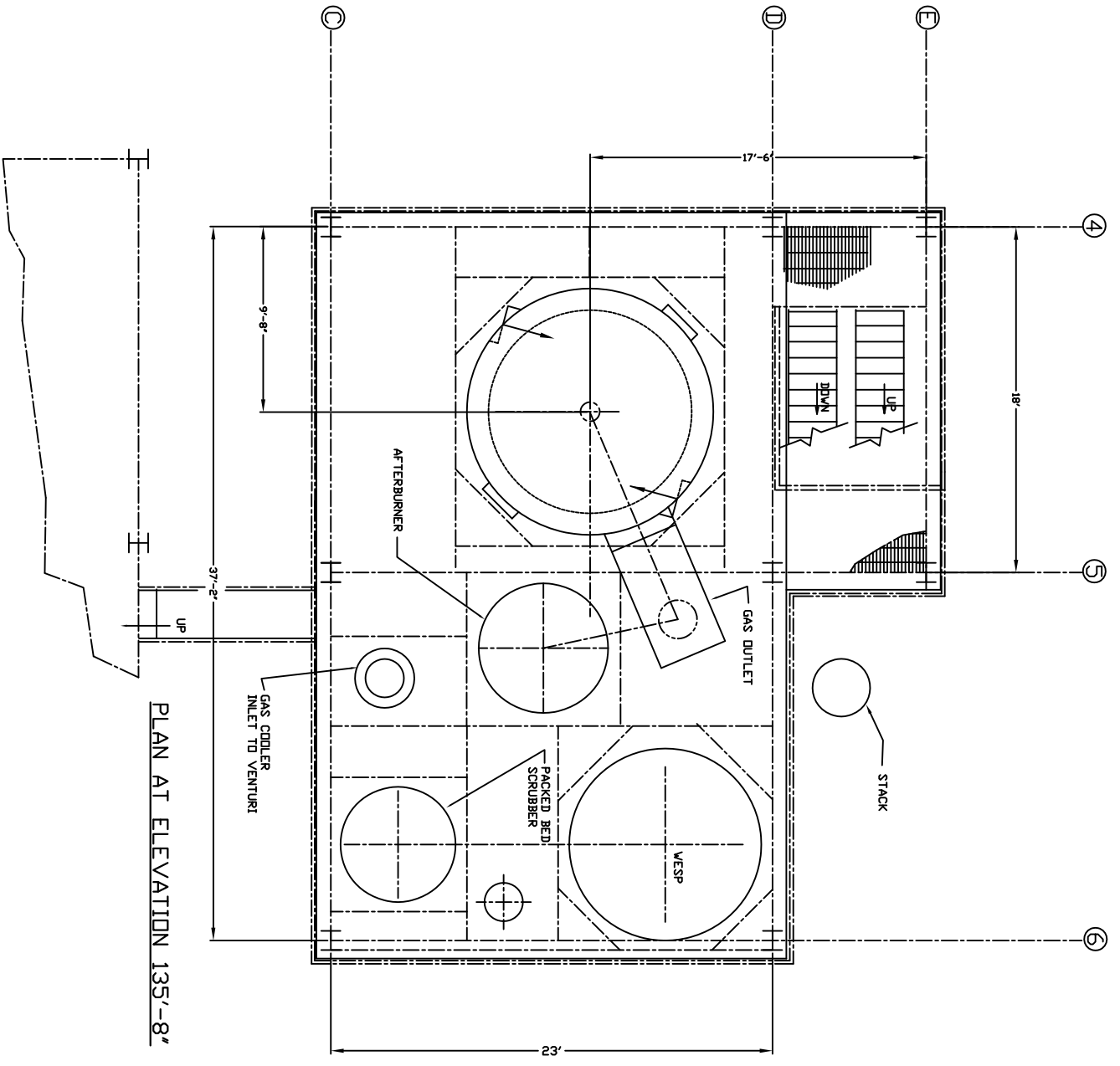
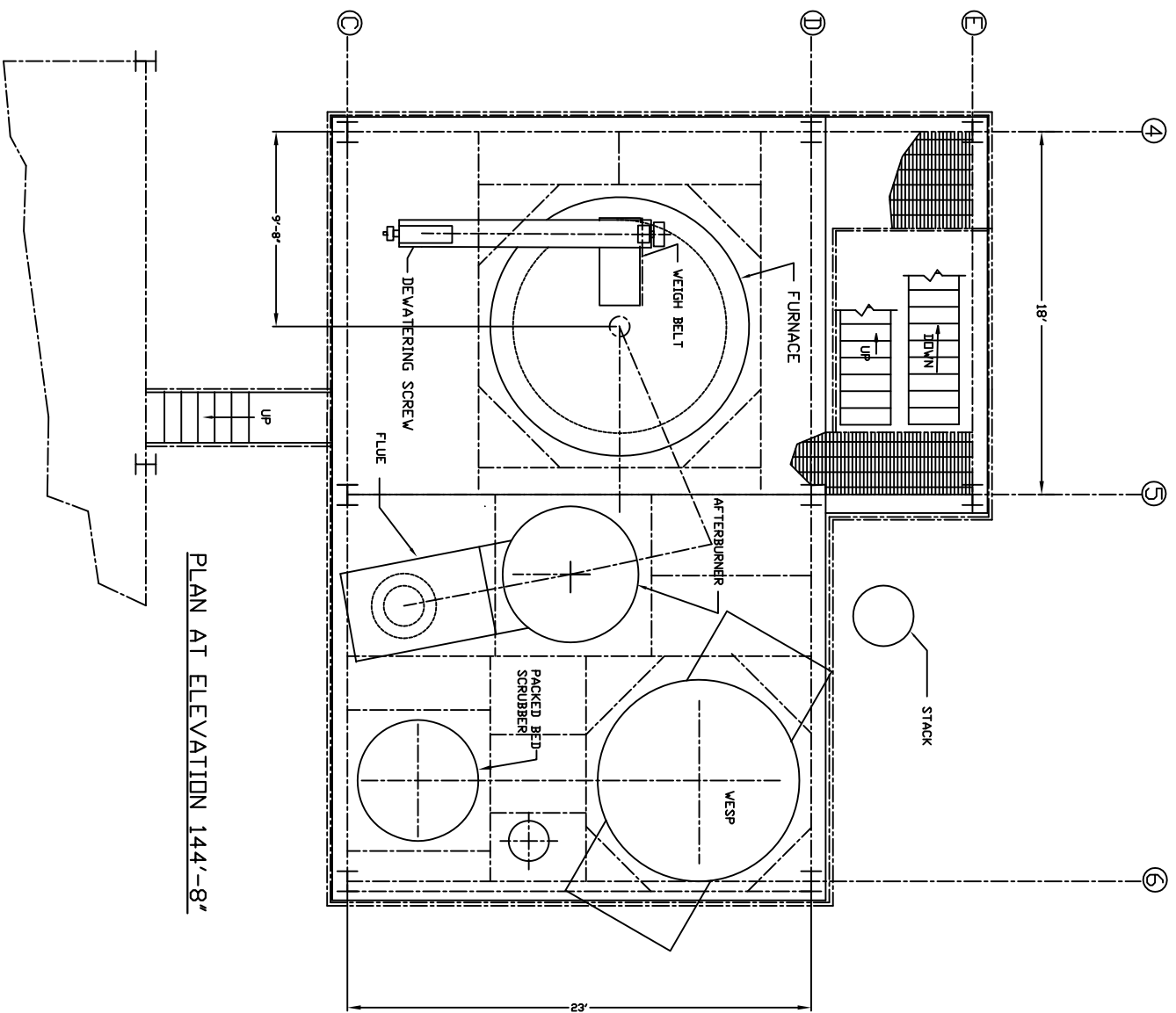
SITE CONTOUR MAP			
DRAWN	DATE	CHECKED	APPROVED
JBE	1/25/07	KEM	
SCALE	DWG. NO.	DATE	REV.
AS SHOWN	1541-CM-001		1

THIS PRINT AND ALL INFORMATION HEREON IS THE PROPERTY OF THE CHAVOND-BARRY ENGINEERING CORPORATION AND IS SUBJECT TO RETURN UPON DEMAND. IT IS NOT TO BE MADE PUBLIC OR COPIED UNLESS AUTHORIZED BY THE ABOVE COMPANY. ALL RIGHTS TO PATENTABLE DESIGN OR INVENTION ARE RESERVED.



- NOTES:
- THIS DRAWING INCLUDES COMPONENTS OF THE FACILITY THAT ARE EXEMPT FROM PERMITTING UNDER VARIOUS PROVISIONS OF RCRA. DATA RELATED TO THESE COMPONENTS IS PROVIDED FOR INFORMATIONAL PURPOSES AND EASE OF REVIEW ONLY, AND THEY ARE NOT INTENDED TO BECOME REGULATED COMPONENTS OF THE HAZARDOUS WASTE FACILITY.

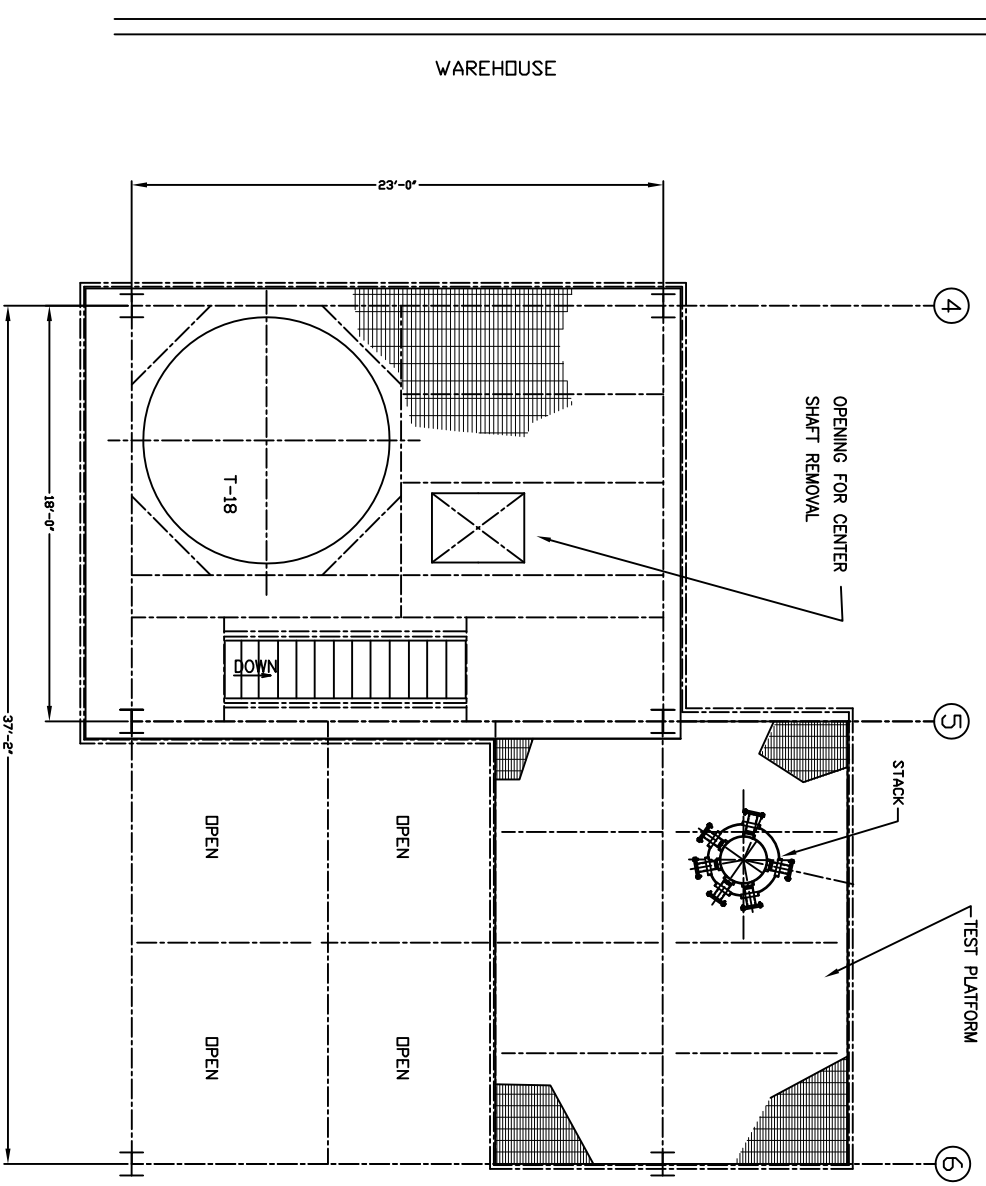
1	JBE	KEM	NAME CHANGED TO SIEMENS INDUSTRY	3/15/12
NO.	DWN.	CK'D.	APP.	DATE
CBE CHAYOND-BARRY ENGINEERING CORP. 400 Route 318 • P.O. Box 205 • Blairstown, NJ 08504 SIEMENS INDUSTRY, INC. 2523 MUTAHAR STREET, PARKER, AZ 85344 CARBON REGENERATION SYSTEM				
PLAN VIEWS				
DRAWN		CHECKED		APPROVED
DATE		DATE		DATE
CPG 5/12/94		KEM 5/13/94		
SCALE 1/4"=1'-0"		DWG. NO. 1478-P-001		REV. 1



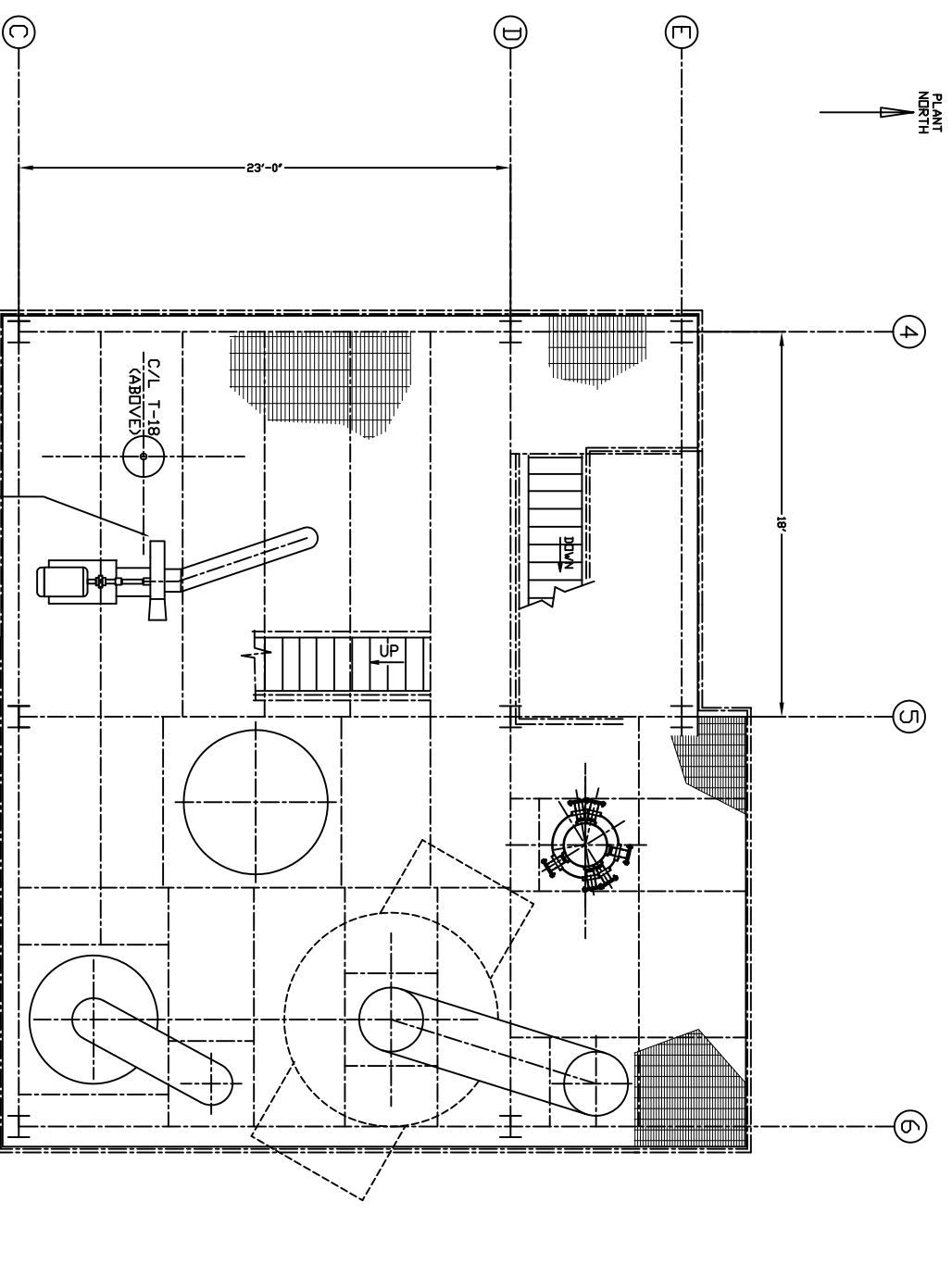
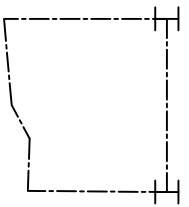
- NOTES:
- THIS DRAWING INCLUDES COMPONENTS OF THE FACILITY THAT ARE EXEMPT FROM PERMITTING UNDER VARIOUS PROVISIONS OF RCRA. DATA RELATED TO THESE COMPONENTS IS PROVIDED FOR INFORMATIONAL PURPOSES AND EASE OF REVIEW ONLY, AND THEY ARE NOT INTENDED TO BECOME REGULATED COMPONENTS OF THE HAZARDOUS WASTE FACILITY.

NO.	DATE	BY	APP.	REVISIONS	DATE
1	5/12/94	KEH	APP	NAME CHANGED TO SIEMENS INDUSTRY	3/15/12
CBE CHAVOND - BARRY ENGINEERING CORP. 400 Route 518 • P.O. Box 285 • Blairstown, New Jersey 08504 SIEMENS INDUSTRY, INC. 2523 MUTAHAR STREET, PARKER, AZ 85344 CARBON REGENERATION SYSTEM					

DRAWN				CHECKED				APPROVED			
DATE				DATE				DATE			
CPG 5/12/94				KEH 5/13/94							
SCALE 1/4"=1'-0"				DWG. NO. 1478-P-002				REV. 1			

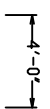


PLAN AT T.O.G. ELEVATION 169'-2"



PLAN AT T.O.G. ELEVATION 157'-2"

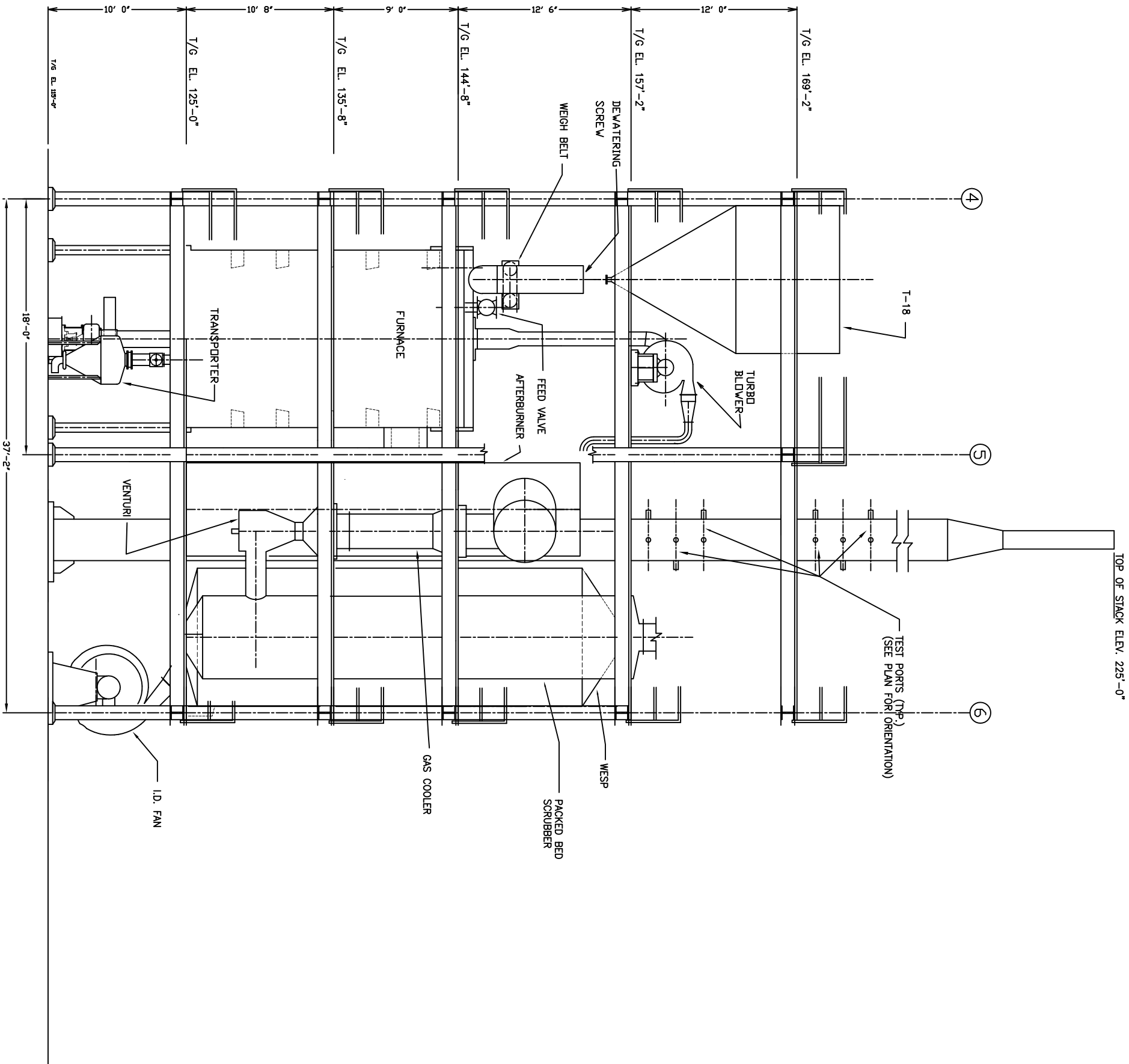
- NOTES:
- THIS DRAWING INCLUDES COMPONENTS OF THE FACILITY THAT ARE EXEMPT FROM PERMITTING UNDER VARIOUS PROVISIONS OF RCRA. DATA RELATED TO THESE COMPONENTS IS PROVIDED FOR INFORMATIONAL PURPOSES AND EASE OF REVIEW ONLY, AND THEY ARE NOT INTENDED TO BECOME REGULATED COMPONENTS OF THE HAZARDOUS WASTE FACILITY.



NO	JOB	KEY	APP	NAME	CHANGED TO	SIEMENS INDUSTRY	DATE
1	DWN	CK'D	APP	REVISIONS			

CBE CHAVOND-BARRY ENGINEERING CORP.
 400 Route 518 • P.O. Box 205 • Blairstown, NJ 08504
 SIEMENS INDUSTRY, INC.
 2523 WUTAHAR STREET, PARKER, AZ 85344
 CARBON REGENERATION SYSTEM

PLAN VIEWS			
DRAWN	DATE	CHECKED	DATE
CPG	5/12/94	KEM	5/13/94
SCALE	DWG. NO.	REV.	
1/4"=1'-0"	1478-P-003	1	



- NOTES:
1. THIS DRAWING INCLUDES COMPONENTS OF THE FACILITY THAT ARE EXEMPT FROM PERMITTING UNDER VARIOUS PROVISIONS OF RCRA. DATA RELATED TO THESE COMPONENTS IS PROVIDED FOR INFORMATIONAL PURPOSES AND EASE OF REVIEW ONLY, AND THEY ARE NOT INTENDED TO BECOME REGULATED COMPONENTS OF THE HAZARDOUS WASTE FACILITY.
 2. FOR ACTUAL ELEVATIONS ADD 327 FEET TO THE ELEVATIONS SHOWN.

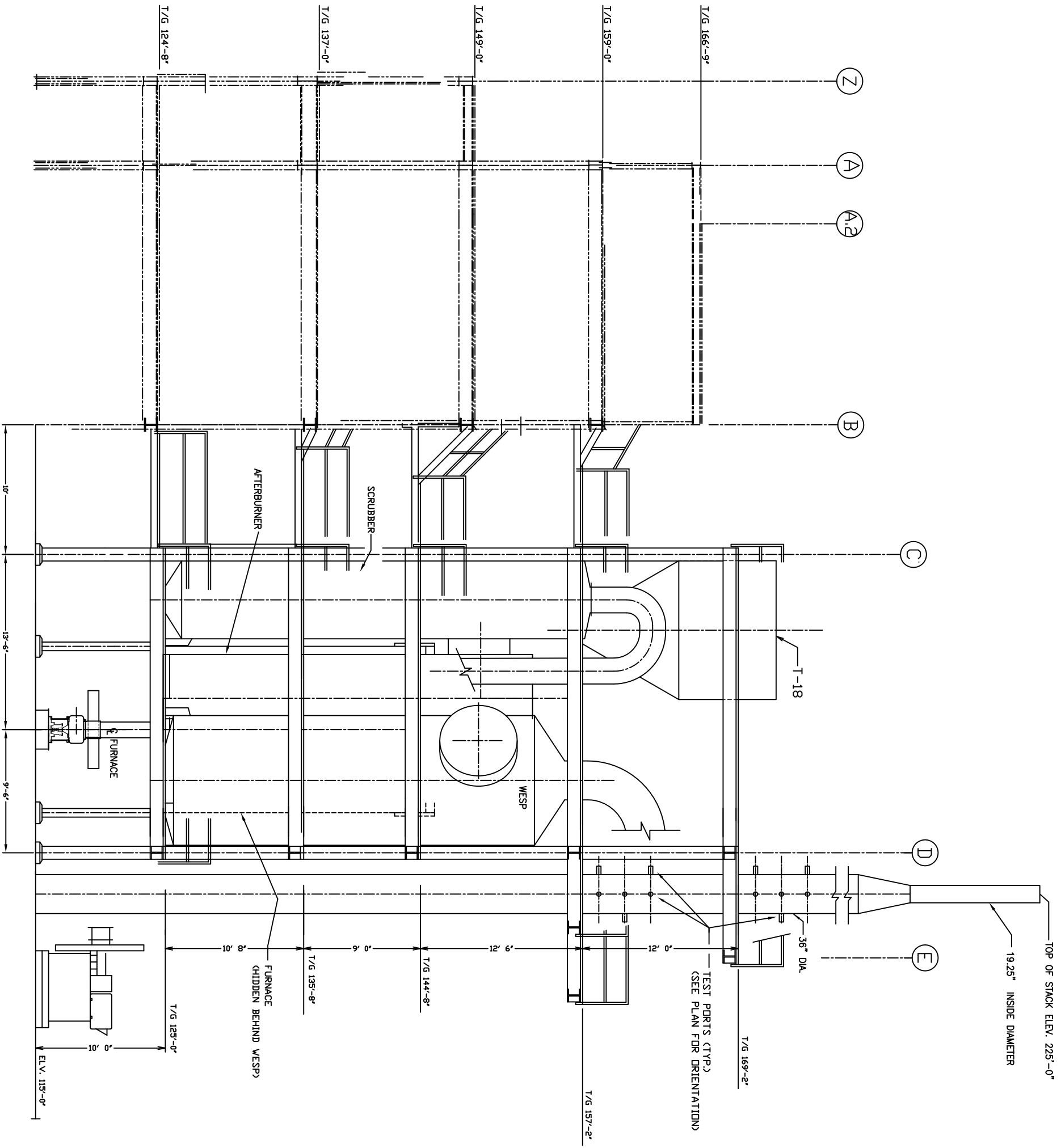
NO.	DATE	BY	DESCRIPTION
1	5/12/94	KEM	APP

CBE CHAVOND-BARRY ENGINEERING CORP.
 400 Route 518 • P.O. Box 205 • Biberburg, New Jersey 08504

SIEMENS INDUSTRY, INC.
 2523 MUTAHAR STREET, PARKER, AZ 85344
 CARBON REGENERATION SYSTEM

DATE	DATE	DATE
5/12/94	5/13/94	

SCALE: 1/4"=1'-0"
 DWG. NO. 1478-P-004
 REV. 1



- NOTES:
1. THIS DRAWING INCLUDES COMPONENTS OF THE FACILITY THAT ARE EXEMPT FROM PERMITTING UNDER VARIOUS PROVISIONS OF RCRA. DATA RELATED TO THESE COMPONENTS IS PROVIDED FOR INFORMATIONAL PURPOSES AND EASE OF REVIEW ONLY, AND THEY ARE NOT INTENDED TO BECOME REGULATED COMPONENTS OF THE HAZARDOUS WASTE FACILITY.
 2. STAIRS ALONG THE SIDE OF THE SUPPORT STRUCTURES HAVE BEEN OMITTED FOR DRAWING CLARITY.
 3. FOR ACTUAL ELEVATIONS ADD 327 FEET TO THE ELEVATIONS SHOWN.

4'-0"

1	JBE	KEM	NAME CHANGED TO SIEMENS INDUSTRY	3/15/12
N/D	DWN	CK'D	REVISIONS	DATE
CBE CHAVOND-BARRY ENGINEERING CORP. 400 Route 518 • P.O. Box 205 • Blairstown, New Jersey 08504 SIEMENS INDUSTRY, INC. 2523 MUTAHAR STREET, PARKER, AZ 85344 CARBON REGENERATION SYSTEM				
ELEVATION LOOKING WEST				
DRAWN		CHECKED		APPROVED
DATE		DATE		DATE
CPG 5/12/94		KEM 5/13/94		
SCALE		DWG. NO.		REV.
1/4" = 1'-0"		1478-P-005		1