

## 316 STAINLESS STEEL, SINGLE-TUBE FILTER HOUSING

This single-tube cartridge filter housing is made of cast 316 stainless steel and includes 316 stainless steel shell. Housings are available to accommodate 10, 20 or 30-in Code F filter cartridges. The inlet and outlet are 3/4" NPT, and the bowl of each housing is fitted with a 1/4" NPT drain and vent plug. This cartridge filter housing is ideal for a wide variety of low flow applications requiring a high quality prefilter housing or for applications where an industrial pre-filter is used.

- Single tube housings accommodate 10", 20" and 30" Code F filter cartridges
- Housing uses 316SS for construction of the head, bowl and port plug
- Inlet and outlet connections are made to the housing head, allowing cartridges to be replaced without disconnecting the inlet/outlet piping
- Housing can be autoclaved or hot-water sanitized with the cartridges in place for your convenience



### FILTER HOUSING SPECIFICATIONS

Dimensions		
	Length (A)	Width (B)
10-in Housing	13.5" (34.3 cm)	4.75 (12.1 cm)
20-in Housing	23.5" (59.7 cm)	4.75 (12.1 cm)
30-in Housing	33.5" (85.1 cm)	4.75 (12.1 cm)

Materials	
Bowl and Head	316L Stainless Steel
Port Plugs	316 Stainless Steel
O-Ring	Ethylene Propylene

Operating Parameters	
Max Operating Pressure	175 psi (12.1 bar) @ 200°F (93°C)
Max Housing Flow Rate	12 gpm (45.4 lpm)
<i>Note: Housing rating only, safe operating pressure will depend on filter cartridge and gaskets used.</i>	

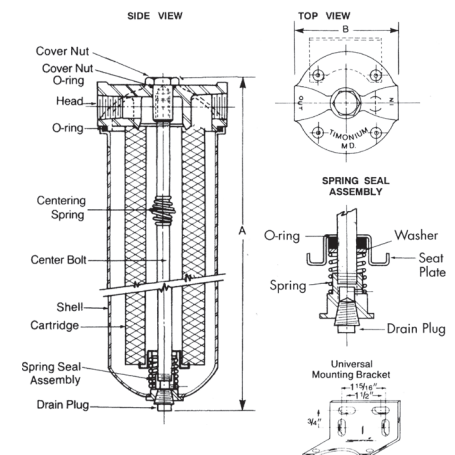
Connections	
Inlet/Outlet	3/4" NPT
Drain	1/4" NPT

**Mounting**  
Should be mounted by rigid pipe connections or with optional mounting bracket. Allow enough clearance below bottom of housing to allow cartridge to be changed.

**Flow Direction**  
"Inlet" and "Outlet" are cast on the housing head for user convenience.

### ORDERING INFORMATION

Catalog Number	Description
ZHDFD1001	10" Housing
ZHDFD2001	20" Housing
ZHDFD3001	30" Housing
ZHDXDB001	Mounting Bracket



HOUSING PRESSURE DROP vs. LIQUID FLOW RATE

